



er ready



d-track



rolling code



U-Link



ee link



Encoder



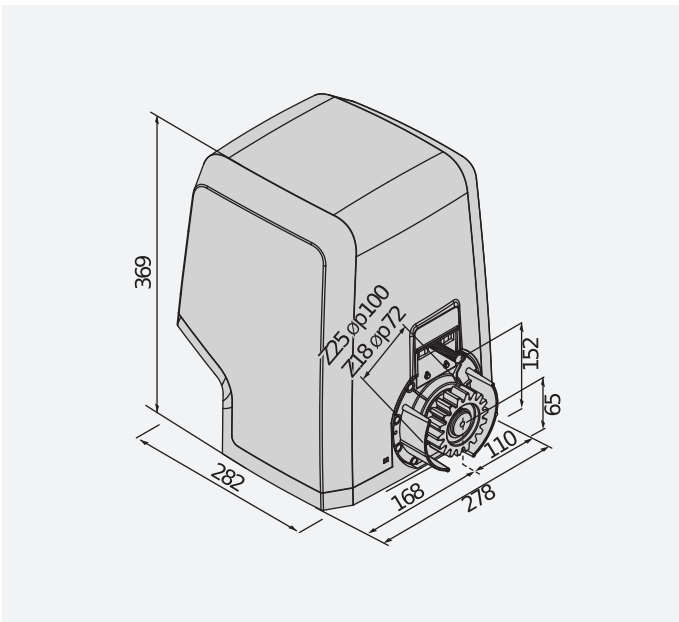
Oil Gear



230V sliding gate operators for very intensive use, extremely sturdy and high-performance thanks to oil bath transmission. Control of torque via D-track technology and absolute encoder for maximum precision of movement. Control unit arranged for communication with U-link protocol and with tamper-proof function.

The control unit ensures complete safety thanks to the exclusive torque control system that makes these operators comply fully with the current European standards.

DIMENSION (MM)



TECHNICAL FEATURES

	ICARO ULTRA AC A2000
Control unit	LEO B CBB L 02
Board power supply	230 V
Supply voltage AC	230 V
Power input	750 W
Max. door/gate weight	2000 kg
Gate speed	9 m/min
Type of limit switch	Magnetic
Pinion module	4
Slowdown	Yes
Locking	Mechanical
Release	Lever-operated with personal key
Impact reaction	D-Track
Frequency of use	very intensive
Protection rating	IP55
Environmental conditions	-15 ÷ 55 °C

		Description	
P925238 00002	ICARO ULTRA AC A2000	Operator 230 V for sliding gates up to 2000 kg with absolute encoder. Leaf speed 9 m/min. Limit switch Magnetic. Equipped with mechanical safety clutch, torque management via D-track technology and gear unit in oil bath. Control unit arranged for communication with U-link protocol and tamper-proof function. Operator with absolute encoder and torque management with D-track system.	U-Link

LEO B CBB L02: Incorporated control unit for one 230V operator for sliding gates.

D113777 00002 - LEO B CBB L02 - Built-In



- Incorporated control unit for one 230V operator for sliding gates
- Application: built-in control unit for one 230V operator for sliding gates
- Board power supply: 230V single-phase
- Operator power supply: 230V 750W
- Main features: removable terminal blocks with new standard colour-coding, simplified scenario-based programming with display, incorporated dual channel receiver, D-Track anti-crushing system, slowdown during opening and closing
- Main functions: automatic re-closing, fast closing, pedestrian opening

RECOMMENDED ACCESSORIES

	D221073 - CP plastic rack, 4-module, cross-section 22 x 22 mm, length 1 m, screw-fitted into slots. Max. load capacity 600 kg.		N999320 - CVZ-S steel rack, 4-module, cross-section 30 x 8 mm, length 1 m, screw-fitted on supports. Max. load capacity 800 kg.
	D571054 - CFZ galvanized steel rack, 4-module, cross-section 22 x 22 mm, length 2 m, welding. Max. load capacity 2000 kg.		D571053 - CVZ steel rack, 4-module, cross-section 30 x 12 mm, length 1 m, screw-fitted on supports. Max. load capacity 1000 kg.
	N999156 - SFI Base plate for ARES and ICARO (supplied with operator).		P125018 - THEKE B PRA 01 Metal protection box for ARES and ICARO series sliding operators.

