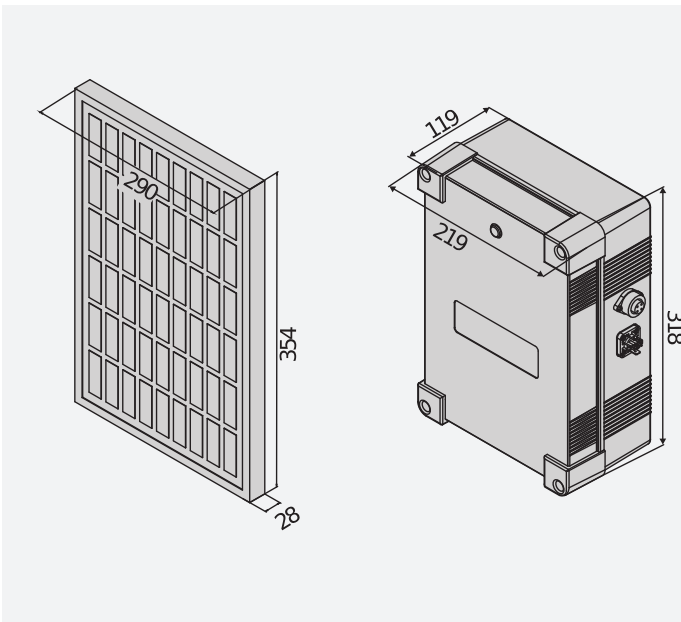




Ecosol is a complete solar powered system for low-voltage installations.

Ideal for doors and gates that are not easily reached from the power mains, it adapts to any context thanks to compatibility with all 24V systems, both old and new.

DIMENSION (MM)








TECHNICAL FEATURES

	ECOSOL BOX	ECOSOL BOX NO BATTERY	ECOSOL PANEL
Nominal voltage	24 V	24 V	24 V
Maximum current	10 A	10 A	no A
Peak power	no Wp	no Wp	10 Wp
Battery nominal capacity	7.2 Ah	7.2 Ah	no Ah
Battery type	12 A	12 A	no A
Maximum panel power	35 Wp	35 Wp	35 Wp
Consumption in standby	0.15 W	0.15 W	no W
Protection rating	IP55		IP65
Environmental conditions	-20 + 50 °C		



		Description
D113731	ECOSOL BOX	Control and management unit for solar power supply of systems with supply voltage of 24 V. Batteries included.
D113750	ECOSOL BOX NO BATTERY	Control and management unit for supplying solar power to systems with supply voltage of 24 V. Batteries not included.
N999471	ECOSOL PANEL	Solar-powered system compatible with BFT systems only.

RECOMMENDED ACCESSORIES

	D113732 - ECOSOL DOUBLE		N999473 - ECOSOL POST BR
	Expansion board with batteries Included.		Set of stainless steel screws and brackets for installing the ECOSOL PANEL on a post of diameter 48-100mm.
	N999475 - ECOSOL SECURITY		N999476 - ECOSOL CABLE
	Anti-tamper stainless steel screws and fasteners for ECOSOL PANEL and ECOSOL POST BR.		20 m extension for ECOSOL CHARGER.
	N999477 - ECOSOL CHARGER		
	Battery chargers for ECOSOL BOX and ECOSOL DOUBLE.		

