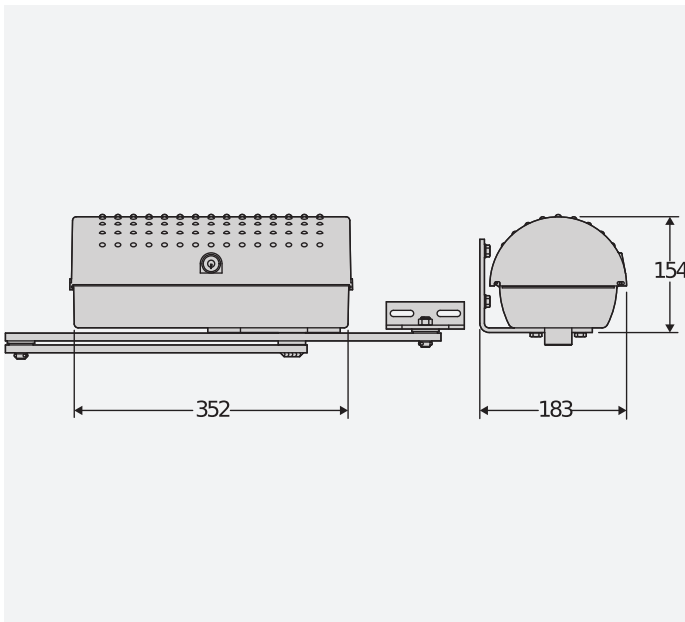


- HOME
- BUILDING
- ee link
- er ready



The motor unit is designed for a maximum door/gate wing width of 2.5 m and a maximum weight of 250 kg.
 The opening angle is adjustable up to 125°.

DIMENSION (MM)



Technical features

	IGEA
Model	ALTAIR P
Motor voltage	230 V
Max. power	300 W
Max. width of door/gate wing	2.5 m
Max. weight of door/gate wing	250 kg
Opening angle	125 °
Opening time	15 s
Power supply	230 V
Protection class	IP44
Operating temperature	-15 + 60 °C

