

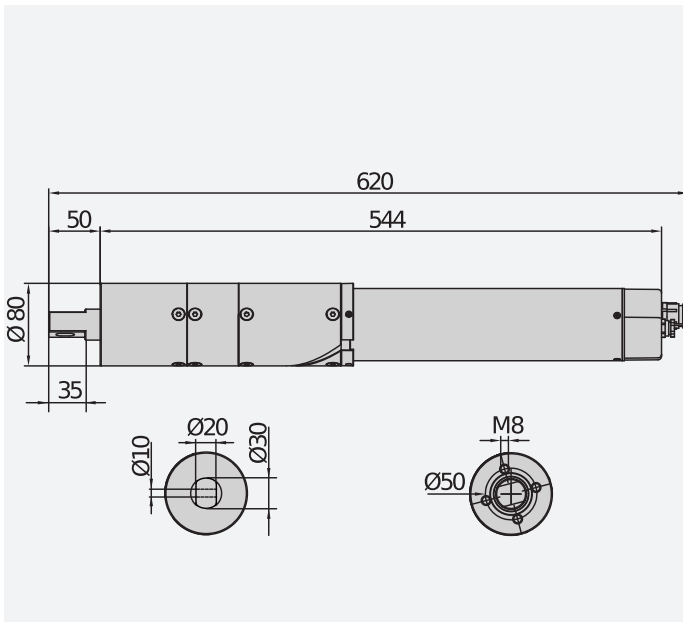


Motor voltage 24 V, max. power 40 W, max. width of door/gate wing 2 m, max. weight of door/gate wing 150 kg, max. opening angle 110°, max. opening time 12 s.

The HIDE SW motor unit is designed for use with the "D-Track" system. It is suitable for use with the "er ready" system.

The HIDE SW motor unit is suitable for use with the "D-Track" system. It is suitable for use with the "er ready" system.

## DIMENSION (MM)



## Technical features

	<b>HIDE SW</b>
Motor type	CB HIDE
Motor voltage	24 V
Max. power	40 W
Max. width of door/gate wing	2 m
Max. weight of door/gate wing	150 kg
Max. opening angle	110 °
Max. opening time	12 s
Opening direction	Bi-directional
Control system	er ready
Control system	D-Track
Control system	er ready
Protection class	IP45
Operating temperature	-20 ÷ 60 °C

		XXXXXXXXXX
P930124 00001	HIDE SW	XX 24 X XX 150 kg X XX 2 X. XX

**LIBRA CB HIDE:** XX **1** XXXX **2** XX **HIDE SW.**

**D113742 00002 - LIBRA CB HIDE -** XX



- XX 1 XXXX 2 XX HIDE SW
- Application: control panel for one or two HIDE SW operators
- Board power supply: 230V single-phase
- Operators power supply: 24Vdc 200W max each operator
- Main functions: automatic re-closing, fast closing, partial opening, deadman feature, pulse blocking, separate opening/closing
- Main features: removable terminal blocks, programming with display and incorporated dual channel receiver, anti-crushing, slowdown during opening and closing and electronic self-learning, D-TRACK torque control system

<p><b>N999526 - HIDE HINGE SUP</b></p> <p>XX XX HIDE SW.</p>	<p><b>N999524 - HIDE HINGE INF</b></p> <p>XX XX HIDE SW.</p>
<p><b>N574039 - BOX</b></p> <p>XX XX XX</p>	<p><b>P125005 - BT BAT</b></p> <p>XX LIBRA C MA, LIBRA C LX, HYDRA N, ARGO.</p>

