



ALLU2 Xtreme/PS-LIGHT2 Xtreme PS-LIGHT Xtreme/PS-LIGHT ALLU2 MAXIMA ULTRA/ALLU MAXIMA ULTRA ALLU MAXIMA

Alimentatori luci R/G • Power supply lights R/G

IT EN

D812225 005550_07 20-04-21



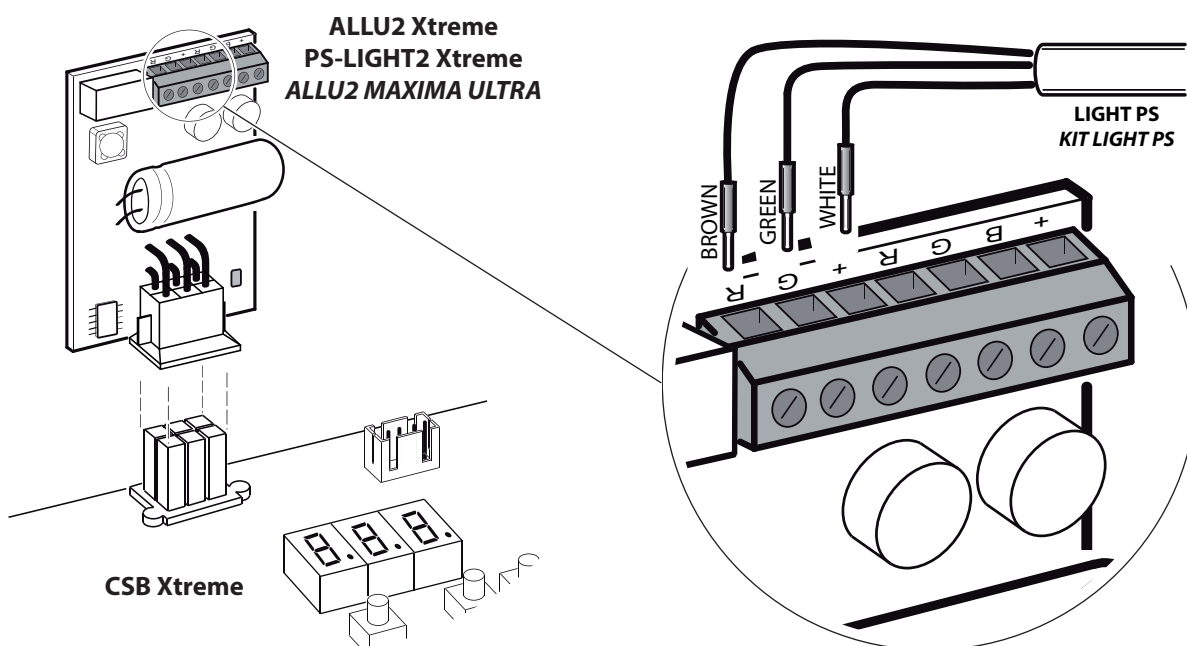
Prima di effettuare qualsiasi intervento sull'impianto togliere l'alimentazione elettrica, Always disconnect the electricity before attempting any work on the system

A

ALLU2 Xtreme, PS LIGHT2 Xtreme, ALLU2 MAXIMA ULTRA
per/for NIGHT&DAY 36 Xtreme, MAXIMA ULTRA 36

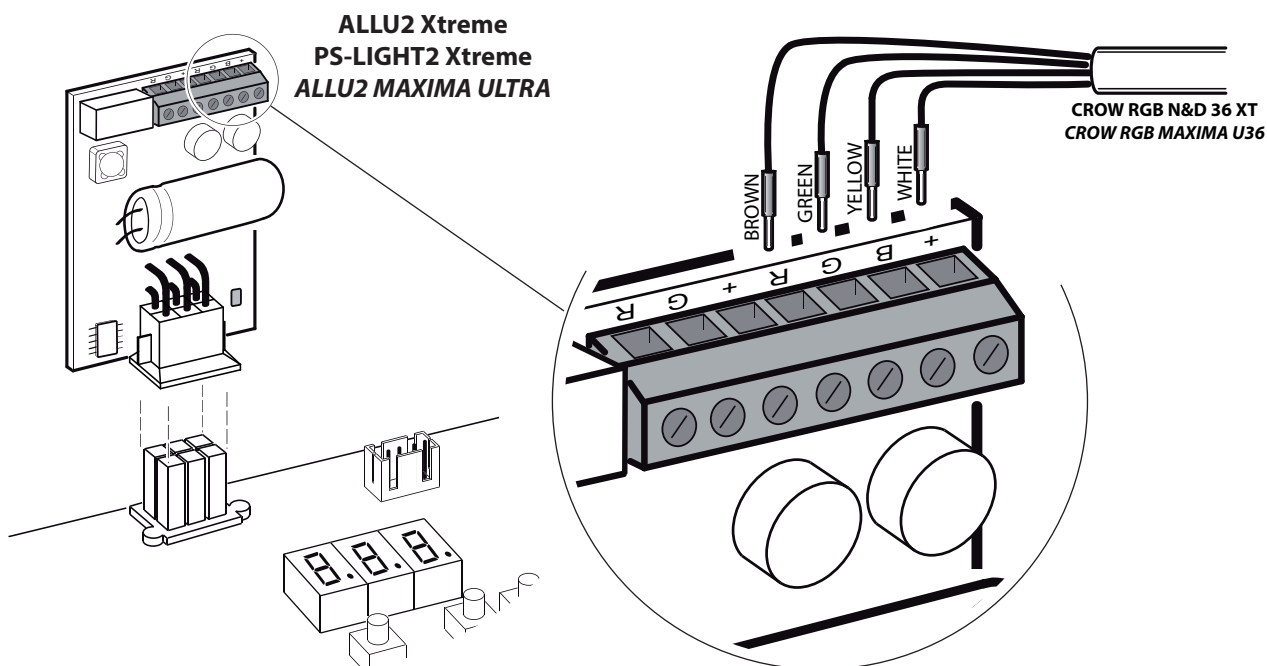
1

STRIP LED ROSSI E VERDI LIGHT PS - KIT LIGHT PS, RED AND GREEN STRIP LED LIGHT PS - KIT LIGHT PS



2

LUCI LED PER CROW RGB N&D 36 XT - CROW RGB MAXIMA U36, LED LIGHT FOR CROW RGB N&D 36 XT - CROW RGB MAXIMA U36

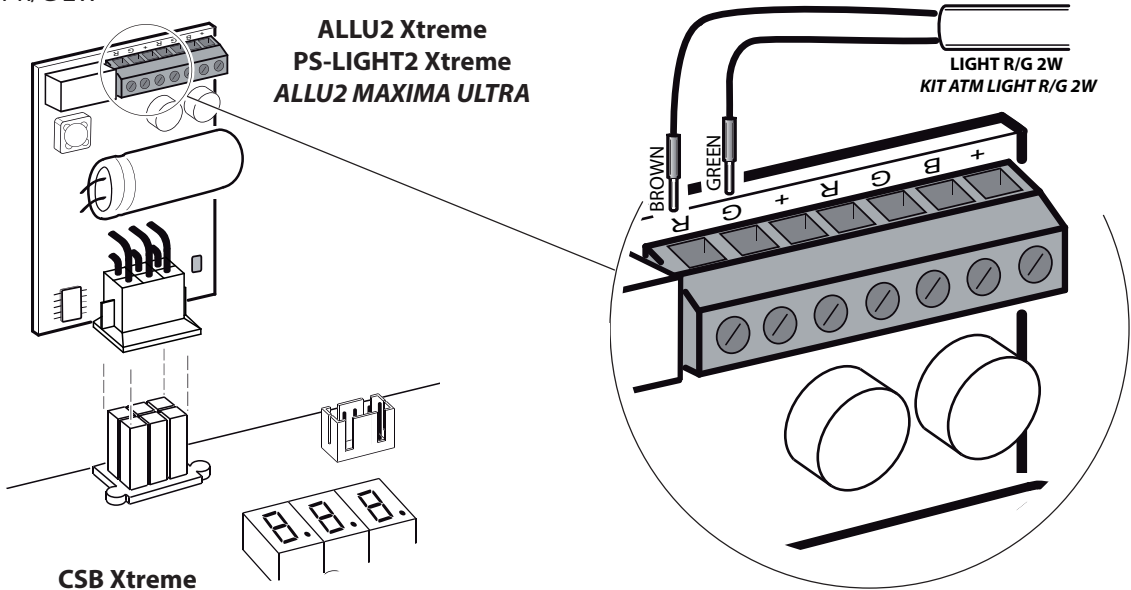


B

ALLU2 Xtreme, PS LIGHT2 Xtreme, ALLU2 MAXIMA ULTRA
per/for NIGHT&DAY 35 Xtreme, NIGHT&DAY 68 Xtreme, MAXIMA ULTRA 35, MAXIMA ULTRA 68

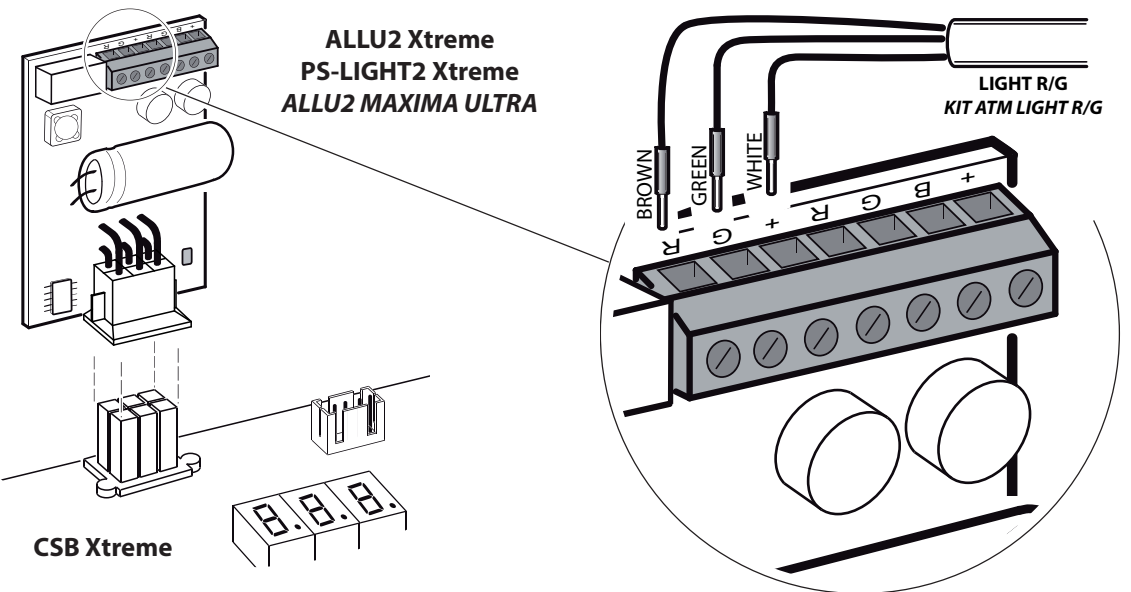
1

FLAT LINE LED ROSSI E VERDI LIGHT R/G 2W - KIT ATM LIGHT R/G 2W, FLAT LINE RED AND GREEN LED LIGHT R/G 2W - KIT ATM LIGHT R/G 2W



2

FLAT LINE LED ROSSI E VERDI LIGHT R/G - KIT ATM LIGHT R/G, FLAT LINE RED AND GREEN LED LIGHT R/G - KIT ATM LIGHT R/G

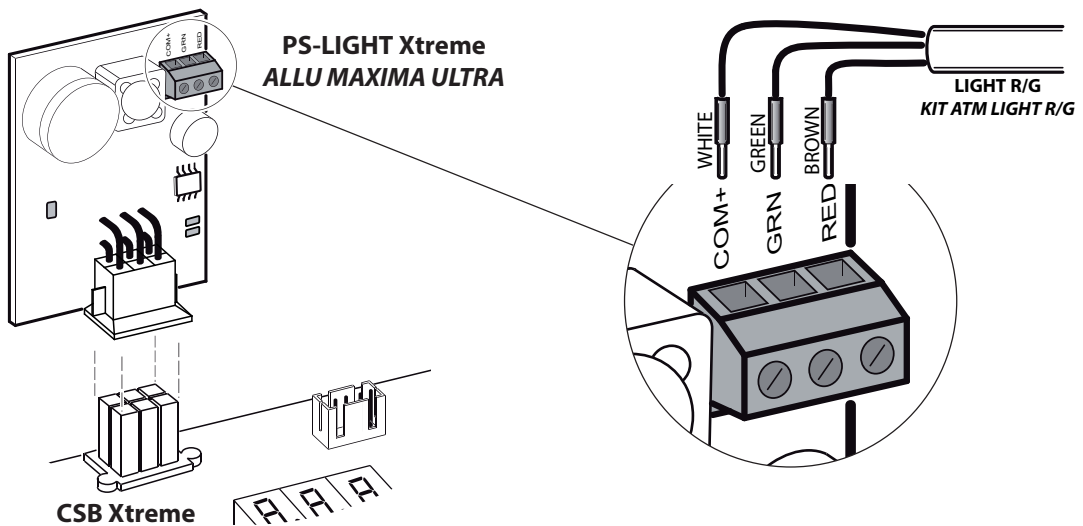


C

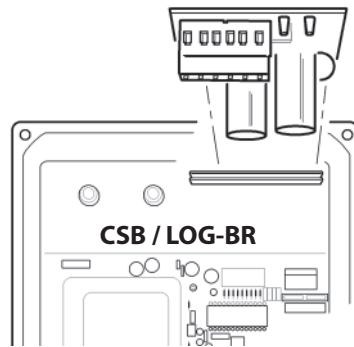
PS LIGHT Xtreme, ALLU MAXIMA ULTRA
per/for NIGHT&DAY 35 Xtreme, NIGHT&DAY 68 Xtreme, MAXIMA ULTRA 35, MAXIMA ULTRA 68

1

FLAT LINE LED ROSSI E VERDI LIGHT R/G - KIT ATM LIGHT R/G, FLAT LINE RED AND GREEN LED LIGHT R/G - KIT ATM LIGHT R/G

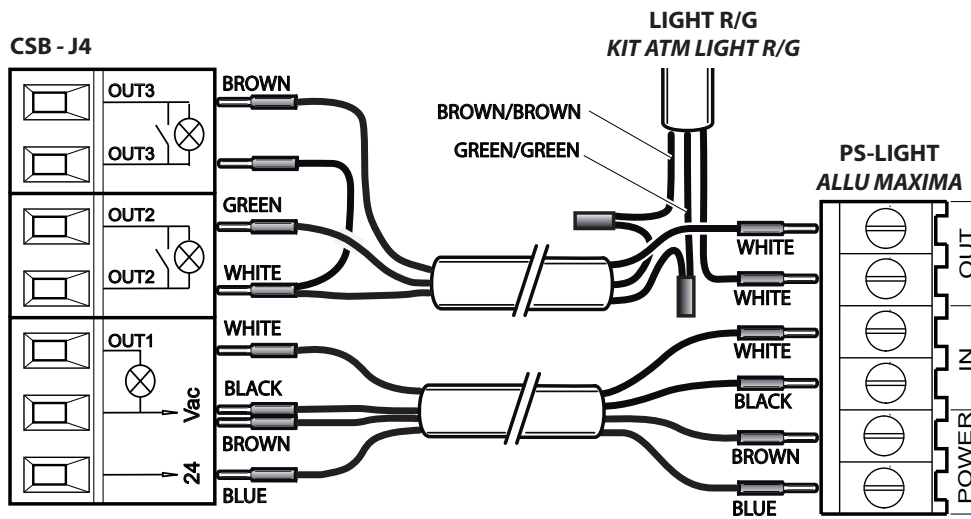


D PS LIGHT, ALLU MAXIMA
per/for NGHT&DAY, MAXIMA (tutte le versioni / all version)



PS-LIGHT
ALLU MAXIMA

1 FLAT LINE LED ROSSI E VERDI LIGHT R/G - KIT ATM LIGHT R/G, FLAT LINE RED AND GREEN LED LIGHT R/G - KIT ATM LIGHT R/G



PROGRAMMAZIONE DI 1° LIVELLO • 1st LEVEL PROGRAMMING

Par	Funzione Function	Icona
Lb	Luci barra - Arm lights	02

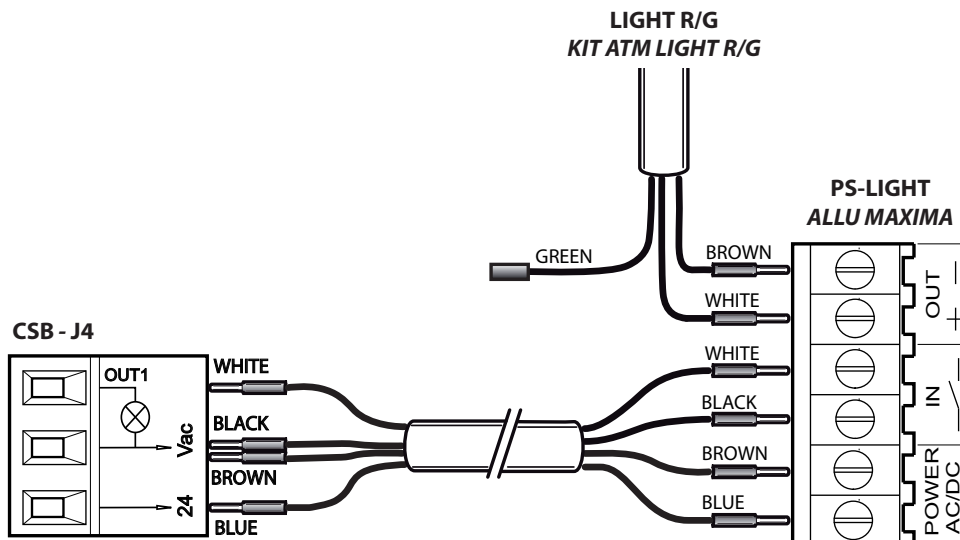
PROGRAMMAZIONE DI 2° LIVELLO • 2nd LEVEL PROGRAMMING

Par	Funzione Function	Icona
02	Uscita 2 - Output 2	05
03	Uscita 3 - Output 3	05

PROGRAMMAZIONE DI 3° LIVELLO • 3rd LEVEL PROGRAMMING

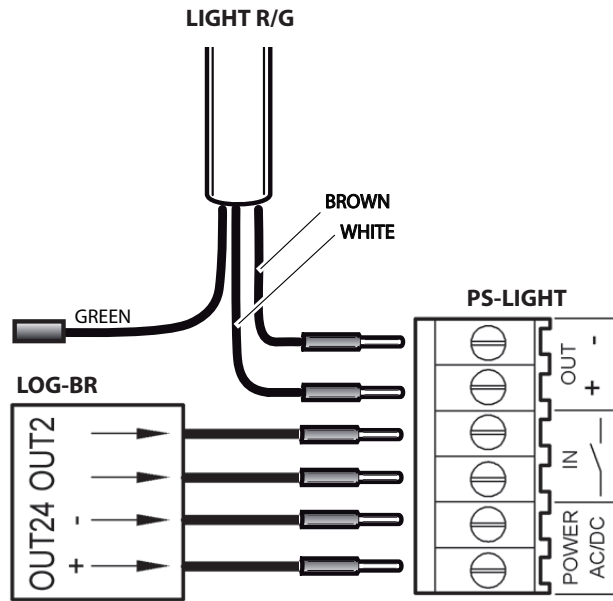
Par	Funzione Function	Icona
P2	Polarità uscita 2 - Output 2 polarity	00
P3	Polarità uscita 3 - Output 3 polarity	01

2 FLAT LINE LED ROSSI LIGHT R/G - KIT ATM LIGHT R/G, FLAT LINE RED LED LIGHT R/G - KIT ATM LIGHT R/G



E**PS LIGHT, ALLU MAXIMA**
per/for UP&DOWN (tutte le versioni / all version)**1**

FLAT LINE LED ROSSI LIGHT R/G - KIT ATM LIGHT R/G, FLAT LINE RED LED LIGHT R/G - KIT ATM LIGHT R/G



INSTALLATORE
INSTALLER

DATA
DATE

www.bft-automation.com**BFT Spa**

Via Lago di Vico, 44 ITALY
36015 Schio (VI)
T +39 0445 69 65 11
F +39 0445 69 65 22

SPAIN

**BFT GROUP ITALIBERICA DE
AUTOMATISMOS SL**
Cami de Can Bassa, 6, 08401
Granollers, Barcelona, Spagna

FRANCE

AUTOMATISMES BFT FRANCE SAS
50 rue jean zay
69800 Saint-Priest, Francia

GERMANY

BFT ANTRIEBSSYSTEME GMBH
Faber-Castell-Straße 29, 90522
Oberasbach, Germania

UNITED KINGDOM

BFT AUTOMATION UK LTD
Unit C2-C3 The Embankment Business
Park, Vale Road Heaton Mersey Stockport
Cheshire SK4 3GLU United Kingdom

BFT AUTOMATION (SOUTH) LTD
Enterprise House Murdock Road, Dorcan,
Swindon, England, SN3 5HY

PORTUGAL

BFT PORTUGAL SA
Urb. Pedrulha lote 9 - Apartado 8123,
3025-248 Coimbra Portugal

POLAND

BFT POLSKA SP ZOO
Marecka 49, 05-220 Zielonka, Polonia

IRELAND

BFT AUTOMATION IRELAND
Unit D3 City Link Business Park, Old Naas
Road, Dublin

CROATIA

BFT ADRIA DOO
Obrovac 39, 51218, Dražice, Croazia

CZECH REPUBLIC

BFT CZ SRO
Ustecka 533/9, 184 00 Praha 8,
Czech

TURKEY

BFT OTOMASYON KAPI
Şerifali Mahallesi, no, 34775
Ümraniye/İstanbul, Turchia

U.S.A.

BFT AMERICAS INC.
1200 S.W. 35th Avenue Suite B Boynton
Beach FL 33426

AUSTRALIA

BFT AUTOMATION AUSTRALIA PTY
29 Bentley St, Wetherill Park NSW
2164, Australia

EMIRATES

BFT MIDDLEEAST FZCO
FZS2 AA01 -PO BOX 262200, Jebel Ali Free
Zone South Zone 2, Dubai - United Arab

NEW ZEALAND

BFT AUTOMATION NEW ZEALAND
224/A Bush Road, Rosedale,
Auckland, New Zealand