

### DESCRIPTION OF THE PRODUCT

BEA introduces its new stainless steel push plates. The push plate fits into a single/double electrical gang box or guardrail for easy replacement of outdated or defective switches. The stainless steel push plate is not waterproof. The stainless steel push plates are available in the versions listed below:

Name	Dimensions (W x H x D)	Description
<b>PBS</b>	120 mm x 120 mm x 16 mm square	PUSH TO OPEN
<b>PBS-H</b>	120 mm x 120 mm x 16 mm square	Handicapped with logo PUSH TO OPEN
<b>PBS-P</b>	120 mm x 120 mm x 16 mm square	No logo
<b>PBR</b>	152 mm diameter x 16 mm round	PUSH TO OPEN
<b>PBR-H</b>	152 mm diameter x 16 mm round	Handicapped with logo PUSH TO OPEN
<b>PBR-P</b>	152 mm diameter x 16 mm round	No logo
<b>PBJ</b>	38 mm x 120 mm x 16 mm jamb	PUSH TO OPEN
<b>PBJ-H</b>	38 mm x 120 mm x 16 mm jamb	Handicapped with logo PUSH TO OPEN
<b>PBJ-P</b>	38 mm x 120 mm x 16 mm jamb	No logo

### TECHNICAL SPECIFICATIONS

<b>Supply voltage</b>	:	12 to 24 V DC 12 to 24 VAC
<b>Current rating</b>	:	6A max. (V DC) 15A max. (V AC)
<b>Output contacts</b>	:	Dry output contacts (NO, NC, COM)
<b>Housing</b>	:	Stainless Steel
<b>Temperature range</b>	:	from -30°C to +55°C
<b>Typical operating force</b>	:	0.45 Kg



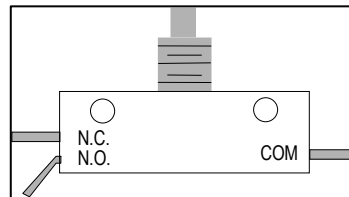
#### WARNING! :

This equipment may only be used to switch voltages lower than 40 V AC / 60 V DC and to switch currents lower than the specified maximum ratings.

### OPERATION INSTRUCTIONS

- Press to activate the door ;
- Connect desired contact (NO or NC) to door control.

### SWITCH CONTACTS



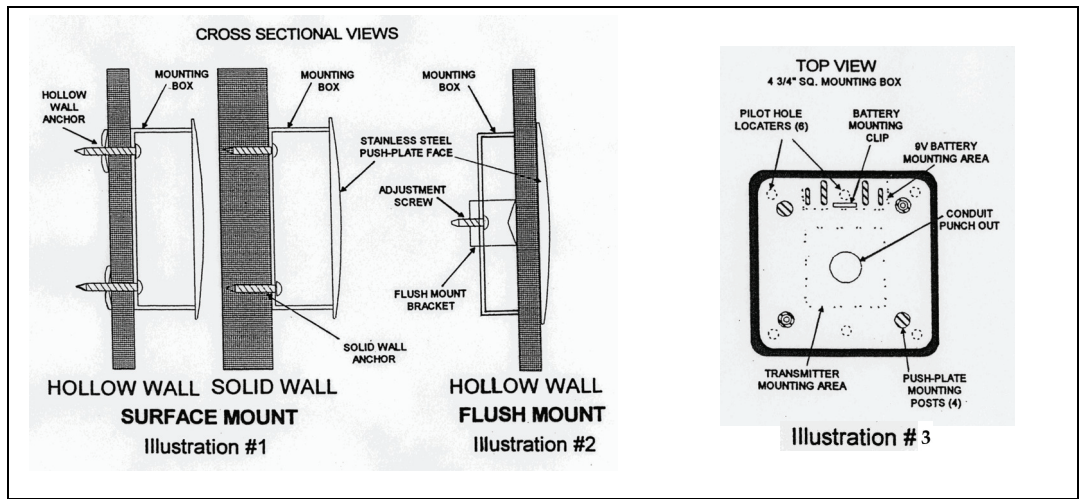
### PARTS INCLUDED WITH MOUNTING BOX

Mounting box (surface mount or flush mount, 152 mm round, 114 mm round, square or jamb)  
Weather ring (standard)

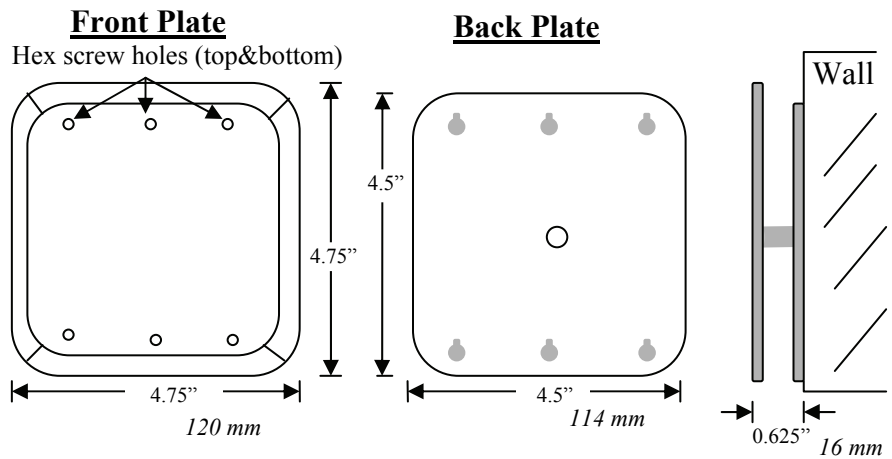
### MOUNTING INSTRUCTIONS

Surface mounting <i>Hollow Wall or Solid Wall (illustration # 1)</i>	Flush mounting <i>Hollow Wall only (illustration # 2)</i>
<ol style="list-style-type: none"> <li>1. Drill pilot holes in plate box as shown in Top View drawing (illustration # 3) <ul style="list-style-type: none"> <li>• 4 holes for square and round box</li> <li>• 2 holes for jamb box</li> </ul> </li> <li>2. Drill pilot holes in mounting surface</li> <li>3. Insert appropriate fastener (screw, toggle bolt, etc.) through box and into mounting surface, then tighten box to surface</li> <li>4. Complete assembly of push-plate (see push-plate assembly instructions)</li> </ol>	<ol style="list-style-type: none"> <li>1. Cut access hole into mounting surface <ul style="list-style-type: none"> <li>• square box : 159 mm W x 140 mm H</li> <li>• 152 mm round box : 165 mm diameter</li> <li>• 114 mm round box : 140 mm diameter</li> </ul> </li> <li>2. Insert plate box into hole</li> <li>3. Tighten two Phillips head screws to tighten silver hanger to inside of the mounting surface</li> <li>4. Complete assembly of push-plate (see push-plate assembly instructions)</li> </ol>

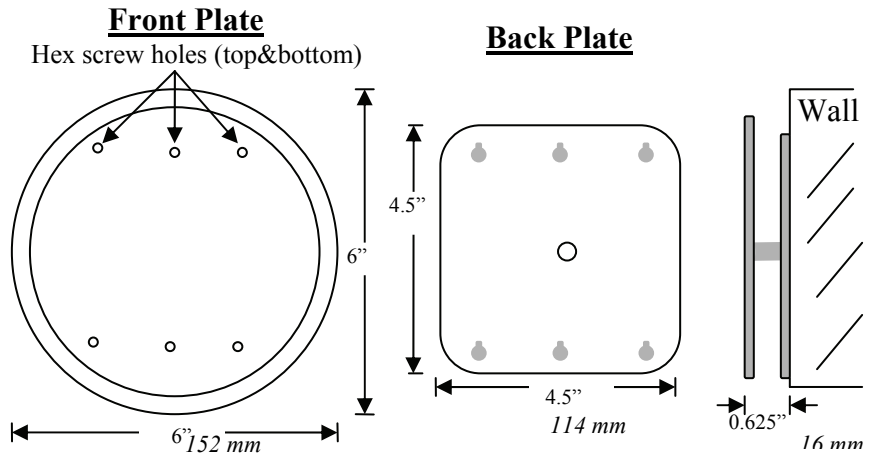
**MOUNTING INSTRUCTIONS**



**PBS-P :**



**PBR-P :**



**PBJ-P :**

