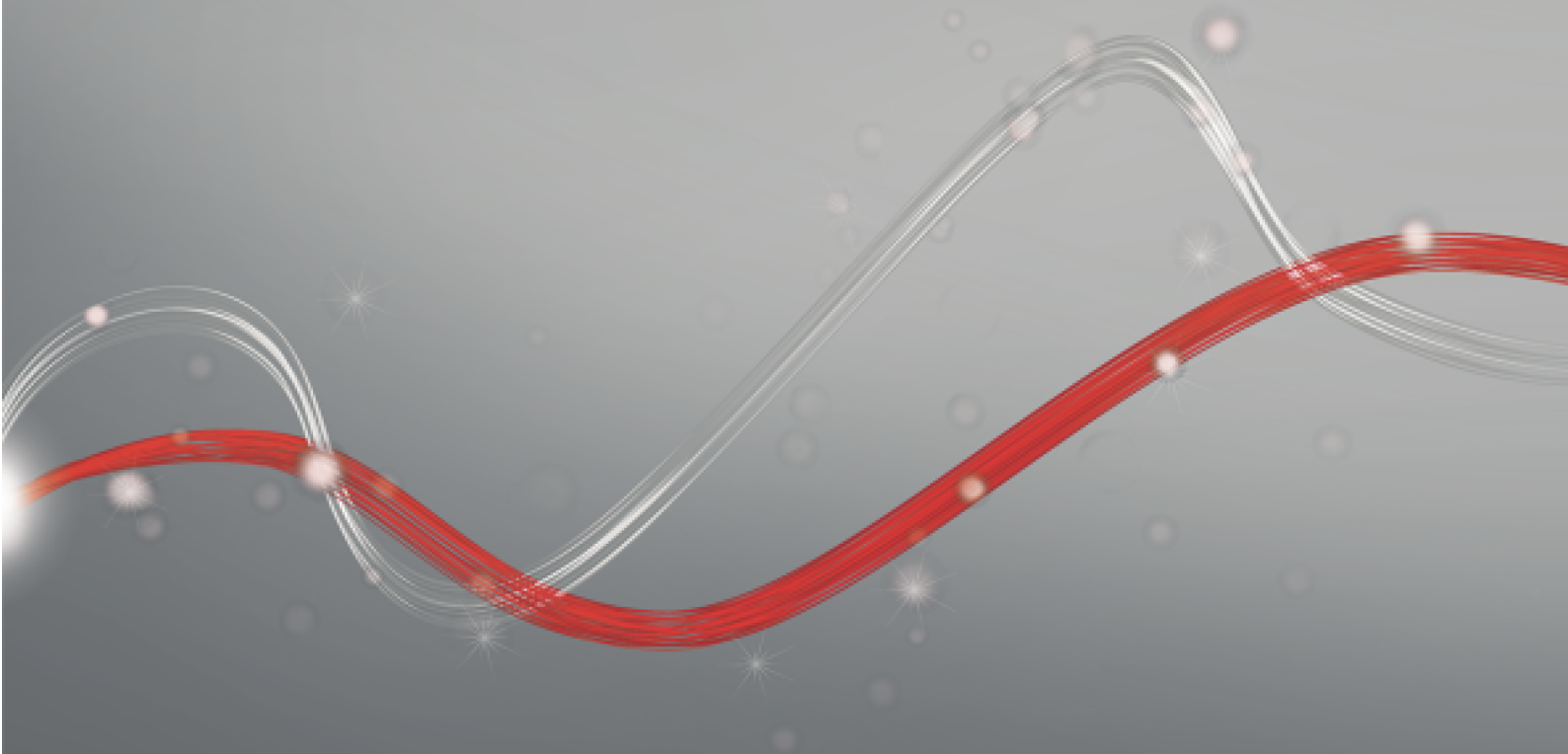




Be ahead



# QUADRO VARCO

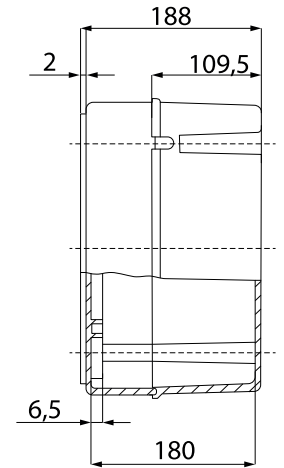
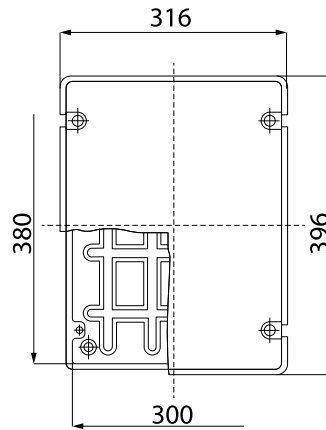
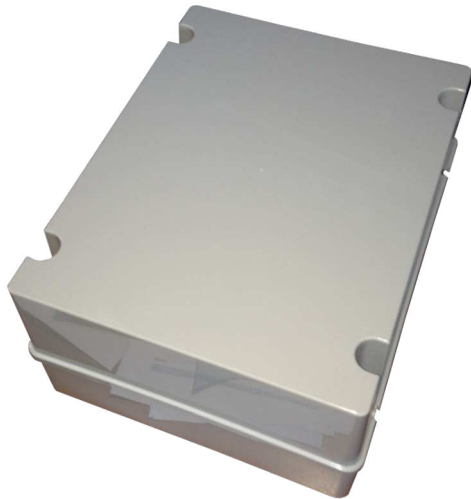




# QUADRO VARCO



## ESPAS 30 ULTRA



Quadro Varco 是一款用于计算所有停车区域栅子区域入口的产品。通过停车软件管 柿以设置道闸的工作模式。该设备最多柿控 2 扇门。



## ESPAS 30 ULTRA

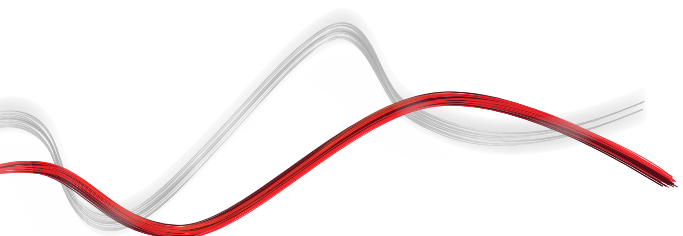
## QUADRO VARCO

代码	Ci	名称	描述
FP208002	2606020	QUADRO VARCO	Quadro Varco 单一电纳计算所有停车槽区域栅子区域出入口的产品。

QUADRO VARCO	
电源	230 VAC ±10%, 50Hz 60Hz
最大功耗	70 W
工作温度	10 ÷ 50 °C
尺寸	316 x 396 x 188 mm
标准通信接口	RS485
防尘等级	IP57

### 推荐的配件

	<b>Cp</b> D110945 <b>Ci</b> 2607227 <b>MAGNETIC LOOP 5MT</b> 高灵敏度预连磁环10米 x 5米环		<b>Cp</b> D141784 <b>Ci</b> 2607232 <b>MAGNETIC LOOP 8MT</b> 高灵敏度预连磁环10米 x 8米环
	<b>Cp</b> D113999 <b>Ci</b> 2605754 <b>LOOP DETECTOR LITE</b> 枢通道环 检测器24VDC/AC 通道最多纳 4 频率用于闭环安装且调节灵敏度增强灵敏度		<b>Cp</b> D113948 <b>Ci</b> 2605737 <b>LOOP DETECTOR PRO</b> 枢通道环 检测器24VDC/AC 通道最多纳 4 频率用于闭环安装且调节灵敏度增强灵敏度。检测。
	<b>Cp</b> 394080 <b>Ci</b> 2607023 <b>PRESENCE AND SAFETY DETECTOR LASER LOOPS</b> 安全探测探测器。用其代替磁性回。杭林一输入树燃继电器输入。最大探测范围口9.9米 x 9.9米 10 35VDC 电源。		<b>Cp</b> 394073 <b>Ci</b> 2604478 <b>LASER SAFETY SENSOR</b> 安全探测探测器。用其代替磁性回。增加额度的安全装置。入口 人门。杭林燃继电器输入。最大探测范围口5米 x 5米 10 35VDC 电源。
	<b>Cp</b> 394071 <b>Ci</b> 2604477 <b>LBA FIXING BRACKET</b> 用于天花梁柱式安装应用的探测探测器固定架。		<b>Cp</b> 394075 <b>Ci</b> 2607020 <b>LASER DETECTOR REMOTE CONTROL</b> 通过远程控制以设置安全探测探测器并安装安全探测探测器。





INFORMATION REGARDING THE PROTECTION OF THE INDUSTRIAL AND INTELLECTUAL PROPERTY RIGHTS OF BFT. BFT S.p.A. protects its industrial property by depositing trademarks, patents, models and designs. The intellectual property of BFT S.p.A. is protected by copyright law. BFT S.p.A. also protects its know how by taking measures to protect the technical and commercial information inherent in its company and products. All the products in this catalogue are ORIGINAL BFT MODELS and only BFT S.p.A. is authorised to produce them and market them anywhere in the world. All the commercial names in this catalogue are owned by BFT S.p.A., and only BFT S.p.A. is authorised to use them in relation to the corresponding merchandise category. FALSIFIERS WILL BE PROCEEDED AGAINST IN ACCORDANCE WITH BOTH CIVIL AND CRIMINAL LAW. THESE CONDITIONS NOT ONLY GUARANTEE THE INTELLECTUAL PROPERTY RIGHTS OF BFT, BUT ALSO PROTECT CUSTOMERS BY GUARANTEEING THAT THE PRODUCTS THEY ARE PURCHASING ARE ORIGINAL BFT PRODUCTS RESULTING FROM STUDIES AND DESIGNS WITHIN THE BFT COMPANY.