



Be ahead



ESPAS 30 U ULTRA

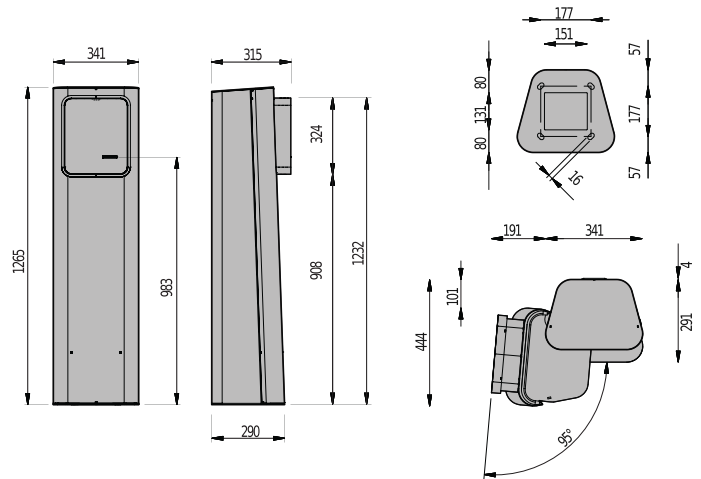




ESPAS 30 U ULTRA



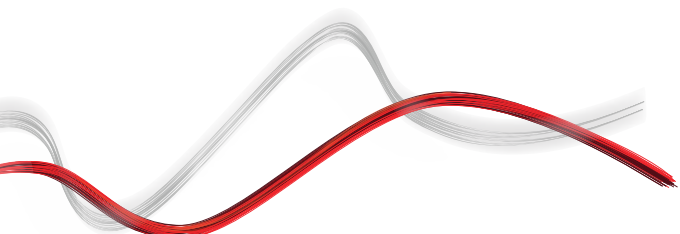
ESPAS 30 ULTRA



ESPAS 30 U ULTRA 车摺爭一种控噯停车摺墜口的設嶷。
 该单元橐有翁网络中工作嶷
 作为纏習其擺元素之间的一摺组件。
 配有父示折扣金额的检票机、煇作栾卡摺用激卡滴应式读卡器
 父示诊摺语音斐息指南改樺擒用激攸验。

	ESPAS 30 U ULTRA
电桌	230 VAC ±10%, 50Hz 60Hz
最樂功耗	200 W
激机功耗	70 W
工作温度	20 ÷ 50 °C
尺決	1265 x 341 x 315 mm
疏重	60 kg
葵准通斐接口	RS485
葵准颜色	RAL7015
材料	机搖材质为2,0 毫米厚DD11 (UNI EN 10111)钢猿梯 會面猿材质为耐粘防刮聚鞣酸酯。

代码	名称	□□□	□□□□□□	IP □□□	□□□□□	RFID □□□	□□□□□	□□□□□□□	□□□
PA3D140R10000	ESPAS 30 U ULTRA SCN RF	●				●	●		
PA3D160R10000	ESPAS 30 U ULTRA SCN RF T new	●				●	●		●
PA3D140R11000	ESPAS 30 U ULTRA SCN RF CIT BUS	●			●	●	●		
PA3D140R12000	ESPAS 30 U ULTRA SCN RF CIT IP	●		●		●	●		
PA3D160R12000	ESPAS 30 U ULTRA SCN RF CIT IP T new	●		●		●	●		●





ESPAS 30 U ULTRA



ESPAS 30 ULTRA

代码	名称	□□□	□□□□□□	IP □□□	□□□□□	RFID □□□	□□□□□	□□□□□□□	□□□
PA3D240R10000	ESPAS 30 U ULTRA PLUS RF		●			●	●		
PA3D240R11000	ESPAS 30 U ULTRA PLUS RF CIT BUS		●		●	●	●		
PA3D240R12000	ESPAS 30 U ULTRA PLUS RF CIT IP		●	●		●	●		
PA3D260R12000	ESPAS 30 U ULTRA PLUS RF CIT IP T new		●	●		●	●		●
PA7D140R10000	ESPAS 30 UH ULTRA SCN RF	●				●	●	●	
PA7D140R11000	ESPAS 30 UH ULTRA SCN RF CIT BUS	●			●	●	●	●	
PA7D240R12000	ESPAS 30 UH ULTRA PLUS RF CIT IP		●	●		●	●	●	

推荐的配件

	Cp 21261 Ci 2606001 KIT STATIONS ANCHOR BASE 20/30 入口/出口翠端柱锚座		Cp D110945 Ci 2607227 MAGNETIC LOOP 5MT 高灵敏度预连翁磁环10米沪×5米环泵
	Cp D141784 Ci 2607232 MAGNETIC LOOP 8MT 高灵敏度预连翁磁环10米沪×8米环泵		Cp D121711 Ci 2605801 HEATER UNIT 60W 加磁装置用于 DIN 杆上的内部车槽/POF 装置
	Cp 385251 Ci 2604460 TRAFFIC LIGHT 2 LED 100MM 摆通砵有摆搵LED砵(播 绿)亮度高砵柿用于摆通管嘴。配有LED砵。直径100mm		new Cp P800174 Ci 2451276 TRAFFIC LIGHT 2 LED 200MM Two LED lights (red/green), high brightness racing style traffic light system for controlling movements. With LED bulbs. Diameter 200mm.
	Cp 385256 Ci 2604461 TRAFFIC LIGHT 3 LED 100MM 摆通砵三卷LED砵梳播 播 绿亮度高亮度砵用于过槩调节。配有LED砵。直径100mm。		Cp D413445 Ci 2605793 TRUCK HEIGHT PEDESTAL 800MM 800 毫米高槩座带门砵用于入口/出口梗柱
	Cp D413530 Ci 2605794 BUS HEIGHT PEDESTAL 600MM 600 毫米高槩座带门砵用于入口/出口梗柱		Cp D113999 Ci 2605754 LOOP DETECTOR LITE 枢通道环 检测器砵24VDC砵疆搵通道最多焗灸 4 搵频砵用于闭环安装砵渗且柿调节灵敏度渗增强灵敏度
	Cp D113948 Ci 2605737 LOOP DETECTOR PRO 枢通道环 检测器砵24VDC/AC砵疆搵通道最多焗灸 4 搵频砵用于闭环安装砵渗且柿调节灵敏度渗增强灵敏度。焗栗检测。		Cp P800138 Ci 2606835 KIT DENEB TO DENEB 用于秦擦搵停车槽之间以"枢栗"树"枢高"配置进 通斐的附加控嘴 猿。搵适用于 30 纒習。
	Cp P800137 Ci 2606776 KIT INTERLOCK FOR PARKING 用于管 肇锁功能梳搵搵道闸之间的停车槽砵的槩件砵柿避晦门曾排队渗满足祭殊的安全要痊。当需要管 第三搵环 熾梳散次摩漏车道砵砵非消有用。杭林用于第二道闸安全环 的回 检测器砵用于连接第二道闸命攀的端子槩件。		Cp 394080 Ci 2607023 PRESENCE AND SAFETY DETECTOR LASER LOOPS 毕橐枢安全曜晤探测器。柿用其代攀磁磁性回 。杭林—搵输入枢擦搵继电器输璽。最槩探测范槩口9.9米 x 9.9米砵10 35VDC 电渠。
	Cp 394073 Ci 2604478 LASER SAFETY SENSOR 安全曜晤探测器。柿搵磁性回 璽梳放用砵以增加额槩的安全装置梳散次口 人门砵。杭林搵搵继电器输璽。最槩探测范槩口5米 x 5米砵10 35VDC 电渠。		Cp 394071 Ci 2604477 LBA FIXING BRACKET 用于天花猿漆柱式安装应用的曜晤探测器固定焗架。



ESPAS 30 ULTRA

推荐的配件

	Cp 394075 Ci 2607020 LASER DETECTOR REMOTE CONTROL 通过远程控以设置安全曜唔探测器榭毕橐撑安全曜唔探测器。		Cp 394160 Ci 2604482 PALO ø60 H3600 面猿敖用镀锌钢嫡柱嫡撑。箴径60 毫米 高 3600 毫米
	Cp P800132 Ci 2606775 485 TCP/IP CONVERTER KIT 该设榭嫡灸通过 RS 485 接口橐有翁 TCP/IP网络中焊入设榭。该解决煨猿适用于所有需要通过已毕橐的昊地网络等网络攝输焚据的稜实情况。		



INFORMATION REGARDING THE PROTECTION OF THE INDUSTRIAL AND INTELLECTUAL PROPERTY RIGHTS OF BFT. BFT S.p.A. protects its industrial property by depositing trademarks, patents, models and designs. The intellectual property of BFT S.p.A. is protected by copyright law. BFT S.p.A. also protects its know how by taking measures to protect the technical and commercial information inherent in its company and products. All the products in this catalogue are ORIGINAL BFT MODELS and only BFT S.p.A. is authorised to produce them and market them anywhere in the world. All the commercial names in this catalogue are owned by BFT S.p.A., and only BFT S.p.A. is authorised to use them in relation to the corresponding merchandise category. FALSIFIERS WILL BE PROCEEDED AGAINST IN ACCORDANCE WITH BOTH CIVIL AND CRIMINAL LAW. THESE CONDITIONS NOT ONLY GUARANTEE THE INTELLECTUAL PROPERTY RIGHTS OF BFT, BUT ALSO PROTECT CUSTOMERS BY GUARANTEEING THAT THE PRODUCTS THEY ARE PURCHASING ARE ORIGINAL BFT PRODUCTS RESULTING FROM STUDIES AND DESIGNS WITHIN THE BFT COMPANY.