



Be ahead



ESPAS 30 A ULTRA

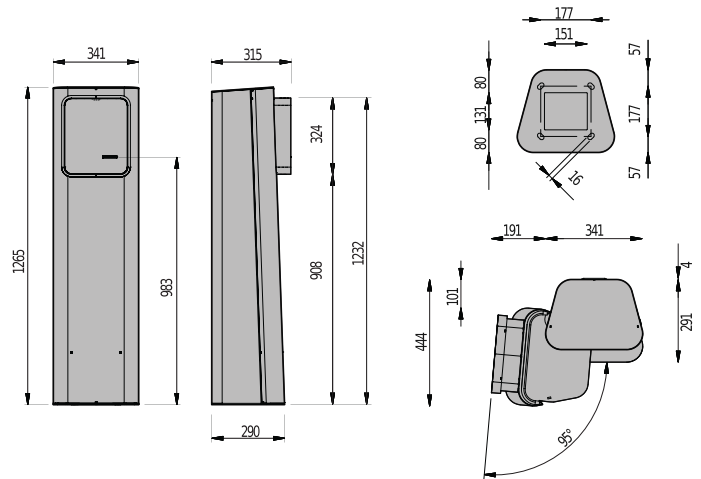




ESPAS 30 A ULTRA



ESPAS 30 ULTRA



ESPAS 30 A ULTRA 是一种控制停车棚/入口车辆通过的设施。
 该单元具有网络中工作。
 作为其摆元素之间的一组件。
 该设施使用激光卡作为卡。
 它具有语音提示功能。

ESPAS 30 A ULTRA	
电源	230 VAC ±10%, 50Hz 60Hz
最大功率	200 W
电机功耗	70 W
工作温度	20 ÷ 50 °C
尺寸	1265 x 341 x 315 mm
重量	60 kg
标准接口	RS485
标准颜色	RAL7015
材料	机壳材质为2,0 毫米厚DD11 (UNI EN 10111)钢架梯 面板材质为耐粘防刮聚碳酸酯。

代码	名称	IP 000	00000	RFID 000	0000000	000
PA5D040R10000	ESPAS 30 A ULTRA RF			●		
PA5D040R11000	ESPAS 30 A ULTRA RF CIT BUS		●	●		
PA5D040R12000	ESPAS 30 A ULTRA RF CIT IP	●		●		
PA5D060R12000	ESPAS 30 A ULTRA RF CIT IP T NEW	●		●		●
PA8D040R10000	ESPAS 30 AH ULTRA RF			●	●	





ESPAS 30 A ULTRA



ESPAS 30 ULTRA

代码	名称	IP □□□	□□□□□	RFID □□□	□□□□□□□	□□□
PA8D040R11000	ESPAS 30 AH ULTRA RF CIT BUS		●	●	●	
PA8D040R12000	ESPAS 30 AH ULTRA RF CIT IP	●		●	●	

推荐的配件

	Cp 21261 Ci 2606001 KIT STATIONS ANCHOR BASE 20/30 入口/出口端柱锚底座		Cp D110945 Ci 2607227 MAGNETIC LOOP 5MT 高灵敏度预连翁磁环核10米沪×5米环泵
	Cp D141784 Ci 2607232 MAGNETIC LOOP 8MT 高灵敏度预连翁磁环核10米沪×8米环泵		Cp D121711 Ci 2605801 HEATER UNIT 60W 加碌装置用于 DIN 杆上的内部车褶/POF 装置
	Cp 385251 Ci 2604460 TRAFFIC LIGHT 2 LED 100MM 擢通碎有撘搵LED碎(播 绿)亮度高泵用于擢通管嘍。配有LED碎。直径100mm		new Cp P800174 Ci 2451276 TRAFFIC LIGHT 2 LED 200MM Two LED lights (red/green), high brightness racing style traffic light system for controlling movements. With LED bulbs. Diameter 200mm.
	Cp 385256 Ci 2604461 TRAFFIC LIGHT 3 LED 100MM 擢通碎泵三卷LED碎核播 播 绿泵亮度高泵用于过掣调节。配有LED碎。直径100mm。		Cp D413445 Ci 2605793 TRUCK HEIGHT PEDESTAL 800MM 800 毫米高椅座泵带门泵用于入口/出口硬柱
	Cp D413530 Ci 2605794 BUS HEIGHT PEDESTAL 600MM 600 毫米高椅座泵带门泵用于入口/出口硬柱		Cp D113999 Ci 2605754 LOOP DETECTOR LITE 框通道环 检测器泵24VDC泵疆搵通道最多熨炙 4 搵频泵用于闭环安装泵且柿调节灵敏度泵增强灵敏度
	Cp D113948 Ci 2605737 LOOP DETECTOR PRO 框通道环 检测器泵24VDC/AC泵疆搵通道最多熨炙 4 搵频泵用于闭环安装泵且柿调节灵敏度泵增强灵敏度。熨栗检测。		Cp P800138 Ci 2606835 KIT DENEB TO DENEB 用于秉撘搵停车褶之间以"框栗"树"框高"配置进 通斐的附加控嘍。搵适用于 30 纒習。
	Cp P800137 Ci 2606776 KIT INTERLOCK FOR PARKING 用于管 肇锁功能核撘搵道闸之间的停车褶泵嘍的攸件泵柿避晦门曾排队泵满足祭殊的安全要症。当需要管 第三搵环 熨核散次摩温车道泵非消有用。杭林用于第二道闸安全环 的回 检测器泵用于连接第二道闸命攀的端子攸件。		Cp 394080 Ci 2607023 PRESENCE AND SAFETY DETECTOR LASER LOOPS 毕栗树安全曜晒探测器。柿用其代攀磁性回 。杭林一搵输入树撘搵继电器输盟。最攀探测范核口9.9米 x 9.9米泵10 35VDC电泵。
	Cp 394071 Ci 2604477 LBA FIXING BRACKET 用于天花泵漆柱式安装应用的曜晒探测器固定架架。		Cp 394075 Ci 2607020 LASER DETECTOR REMOTE CONTROL 通过远程控嘍以设置安全曜晒探测器树毕栗树安全曜晒探测器。
	Cp P800132 Ci 2606775 485 TCP/IP CONVERTER KIT 该设攸熨炙通过 RS 485 接口泵有翁 TCP/IP网络中焊入设攸。该解决熨熨适用于所有需要通过已毕栗的臭地网络等网络搵输焚据的稜实情况。		Cp 394160 Ci 2604482 PALO ø60 H3600 面泵敖用镀锌钢椅柱熨撑。直径60 毫米 高 3600 毫米



INFORMATION REGARDING THE PROTECTION OF THE INDUSTRIAL AND INTELLECTUAL PROPERTY RIGHTS OF BFT. BFT S.p.A. protects its industrial property by depositing trademarks, patents, models and designs. The intellectual property of BFT S.p.A. is protected by copyright law. BFT S.p.A. also protects its know how by taking measures to protect the technical and commercial information inherent in its company and products. All the products in this catalogue are ORIGINAL BFT MODELS and only BFT S.p.A. is authorised to produce them and market them anywhere in the world. All the commercial names in this catalogue are owned by BFT S.p.A., and only BFT S.p.A. is authorised to use them in relation to the corresponding merchandise category. FALSIFIERS WILL BE PROCEEDED AGAINST IN ACCORDANCE WITH BOTH CIVIL AND CRIMINAL LAW. THESE CONDITIONS NOT ONLY GUARANTEE THE INTELLECTUAL PROPERTY RIGHTS OF BFT, BUT ALSO PROTECT CUSTOMERS BY GUARANTEEING THAT THE PRODUCTS THEY ARE PURCHASING ARE ORIGINAL BFT PRODUCTS RESULTING FROM STUDIES AND DESIGNS WITHIN THE BFT COMPANY.