



Be ahead



# SMARTLIGHT COMMUNICATION POINT MASTER V2

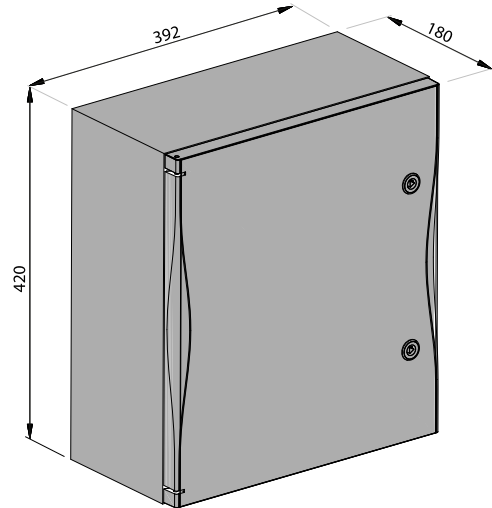




# SMARTLIGHT COMMUNICATION POINT MASTER V2



## SMARTLIGHT



Κεντρικός πίνακας ελέγχου για το PGS Smartlight.

Διαχειρίζεται τη συλλογή δεδομένων όλων των συνδεδεμένων συσκευών (έως 96 αισθητήρες).

Συνοδεύεται από μονάδα ελέγχου, ακροδέκτες, τροφοδοτικό και συσκευή επικοινωνίας RS485/LAN.

### SMARTLIGHT COMMUNICATION POINT MASTER V2

Τάση τροφοδοσίας	230 VAC ± 10%
Βαθμός προστασίας	IP66 - IK10
Διεπαφή επικοινωνίας	RS485 – TCP/IP
Θερμοκρασία λειτουργίας	0 ÷ 50 °C

Κωδικός	Όνομα	Τάση τροφοδοσίας	Θερμοκρασία λειτουργίας	Μεγέθη	Βαθμός προστασίας	Επικοινωνία	Κατανάλωση ισχύος (ελεγκτής ζωνών)	Κατανάλωση ισχύος (96 αισθητήρες)	Κατανάλωση ισχύος (πάνελ)
P208006M2	SMARTLIGHT COMMUNICATION POINT MASTER V2								



INFORMATION REGARDING THE PROTECTION OF THE INDUSTRIAL AND INTELLECTUAL PROPERTY RIGHTS OF BFT. BFT S.p.A. protects its industrial property by depositing trademarks, patents, models and designs. The intellectual property of BFT S.p.A. is protected by copyright law. BFT S.p.A. also protects its know-how by taking measures to protect the technical and commercial information inherent in its company and products. All the products in this catalogue are ORIGINAL BFT MODELS and only BFT S.p.A. is authorised to produce them and market them anywhere in the world. All the commercial names in this catalogue are owned by BFT S.p.A., and only BFT S.p.A. is authorised to use them in relation to the corresponding merchandise category. FALSIFIERS WILL BE PROCEEDED AGAINST IN ACCORDANCE WITH BOTH CIVIL AND CRIMINAL LAW. THESE CONDITIONS NOT ONLY GUARANTEE THE INTELLECTUAL PROPERTY RIGHTS OF BFT, BUT ALSO PROTECT CUSTOMERS BY GUARANTEEING THAT THE PRODUCTS THEY ARE PURCHASING ARE ORIGINAL BFT PRODUCTS RESULTING FROM STUDIES AND DESIGNS WITHIN THE BFT COMPANY.