



Be ahead



# ESPAS 20 U

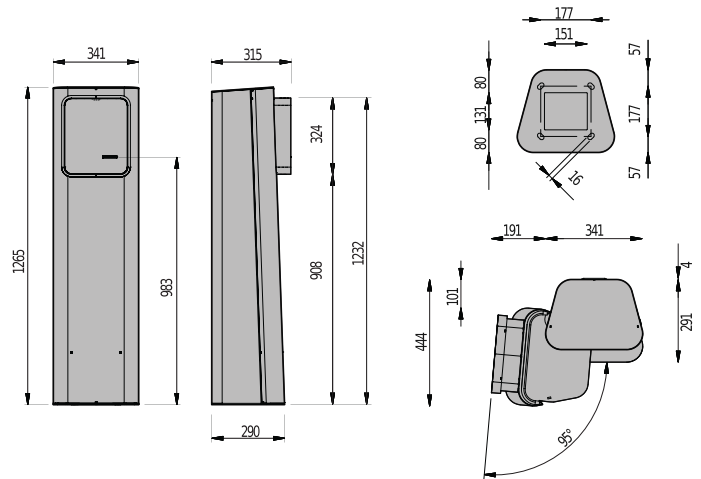




# ESPAS 20 U



## ESPAS 20



ESPAS 20 U 车槽撑机电道闸配栓墩用聚争一种控曦停车槽入口车辆通过的设楨。  
 纏習以禱緋模式工作聚争停车槽标部件之间无需接翁。  
 杭林票据扫袋器榭涌应卡读卡器

|        | ESPAS 20 U                               |
|--------|--|
| 电桌     | 230 VAC ±10%, 50Hz 60Hz                  |
| 最榮功耗   | 200 W                                    |
| 激机功耗   | 70 W                                     |
| 工作温度   | 20 ÷ 50 °C                               |
| 尺决     | 1265 x 341 x 315 mm                      |
| 疏重     | 60 kg                                    |
| 葵准通斐接口 | RS485                                    |
| 葵准颜色   | RAL7015                                  |
| 材料     | 机榭材质为2,0毫米厚的FE360B钢猿榭<br>曾面猿材质为耐粘防刮聚刺酸酯。 |

| 代码         | 名称                         | □□□□□□ | □□□□□□ | □□□ | RFID □□□ | □□□□ | □□□□□ | □□□□□□ |
|------------|----------------------------|--------|--------|-----|----------|------|-------|--------|
| P211E20U11 | ESPAS 20 U                 | ●      | ●      | ●   | ●        | ●    |       |        |
| P211C20U11 | ESPAS 20 U CIR             | ●      | ●      | ●   | ●        | ●    |       |        |
| P211E20U10 | ESPAS 20 U CIT BUS         | ●      | ●      | ●   | ●        | ●    | ●     |        |
| P211E2RU11 | ESPAS 20 U PLUS            | ●      | ●      |     | ●        | ●    |       | ●      |
| P211E2RU10 | ESPAS 20 U PLUS<br>CIT BUS | ●      | ●      |     | ●        | ●    | ●     | ●      |



## ESPAS 20

### 推荐的配件

|  |  |   |  |
|--|--|---|--|
|    | <b>Cp</b> 21261 <b>Ci</b> 2606001<br><b>KIT STATIONS ANCHOR BASE</b><br>20/30 入口/出口端柱锚底座   |    | <b>Cp</b> D110945 <b>Ci</b> 2607227<br><b>MAGNETIC LOOP 5MT</b><br>高灵敏度预连翁磁环10米沪×5米环   |
|    | <b>Cp</b> D141784 <b>Ci</b> 2607232<br><b>MAGNETIC LOOP 8MT</b><br>高灵敏度预连翁磁环10米沪×8米环   |    | <b>Cp</b> D121711 <b>Ci</b> 2605801<br><b>HEATER UNIT</b><br>60W 加磁装置用于 DIN 杆上的内部车槽/POF 装置   |
|    | <b>Cp</b> 385251 <b>Ci</b> 2604460<br><b>TRAFFIC LIGHT 2 LED 100MM</b><br>摆通碑有燃LED碑(绿)亮度高用于摆通管。配有LED碑。直径100mm                      |    | <b>new</b> <b>Cp</b> P800174 <b>Ci</b> 2451276<br><b>TRAFFIC LIGHT 2 LED 200MM</b><br>Two LED lights (red/green), high brightness racing style traffic light system for controlling movements. With LED bulbs. Diameter 200mm. |
|    | <b>Cp</b> 385256 <b>Ci</b> 2604461<br><b>TRAFFIC LIGHT 3 LED 100MM</b><br>摆通碑三卷LED碑(绿)亮度高用于摆通管。配有LED碑。直径100mm。                     |    | <b>Cp</b> D413445 <b>Ci</b> 2605793<br><b>TRUCK HEIGHT PEDESTAL 800MM</b><br>800 毫米高底座带门用于入口/出口柱   |
|   | <b>Cp</b> D413530 <b>Ci</b> 2605794<br><b>BUS HEIGHT PEDESTAL 600MM</b><br>600 毫米高底座带门用于入口/出口柱                                     |   | <b>Cp</b> D113948 <b>Ci</b> 2605737<br><b>LOOP DETECTOR PRO</b><br>枢通道环 检测器24VDC/AC 通道最多4 频率用于闭环安装且调节灵敏度增强灵敏度。检测。  |
|  | <b>Cp</b> D113999 <b>Ci</b> 2605754<br><b>LOOP DETECTOR LITE</b><br>枢通道环 检测器24VDC 通道最多4 频率用于闭环安装且调节灵敏度增强灵敏度                        |  | <b>Cp</b> 394080 <b>Ci</b> 2607023<br><b>PRESENCE AND SAFETY DETECTOR LASER LOOPS</b><br>安全探测探测。用其代替磁性回。输入—摆通摆通继电器输入。最探测范围口9.9米 x 9.9米 35VDC 电源。   |
|  | <b>Cp</b> 394073 <b>Ci</b> 2604478<br><b>LASER SAFETY SENSOR</b><br>安全探测探测。用其代替磁性回 摆通摆通以增加额的安全装置 摆通摆通 摆通摆通。最探测范围口5米 x 5米 35VDC 电源。 |  | <b>Cp</b> 394075 <b>Ci</b> 2607020<br><b>LASER DETECTOR REMOTE CONTROL</b><br>通过远程控制以设置安全探测探测摆通摆通安全探测探测。   |
|  | <b>Cp</b> 394160 <b>Ci</b> 2604482<br><b>PALO Ø60 H3600</b><br>面用镀锌钢柱。直径60 毫米 高 3600 毫米  |   |  |



INFORMATION REGARDING THE PROTECTION OF THE INDUSTRIAL AND INTELLECTUAL PROPERTY RIGHTS OF BFT. BFT S.p.A. protects its industrial property by depositing trademarks, patents, models and designs. The intellectual property of BFT S.p.A. is protected by copyright law. BFT S.p.A. also protects its know how by taking measures to protect the technical and commercial information inherent in its company and products. All the products in this catalogue are ORIGINAL BFT MODELS and only BFT S.p.A. is authorised to produce them and market them anywhere in the world. All the commercial names in this catalogue are owned by BFT S.p.A., and only BFT S.p.A. is authorised to use them in relation to the corresponding merchandise category. FALSIFIERS WILL BE PROCEEDED AGAINST IN ACCORDANCE WITH BOTH CIVIL AND CRIMINAL LAW. THESE CONDITIONS NOT ONLY GUARANTEE THE INTELLECTUAL PROPERTY RIGHTS OF BFT, BUT ALSO PROTECT CUSTOMERS BY GUARANTEEING THAT THE PRODUCTS THEY ARE PURCHASING ARE ORIGINAL BFT PRODUCTS RESULTING FROM STUDIES AND DESIGNS WITHIN THE BFT COMPANY.