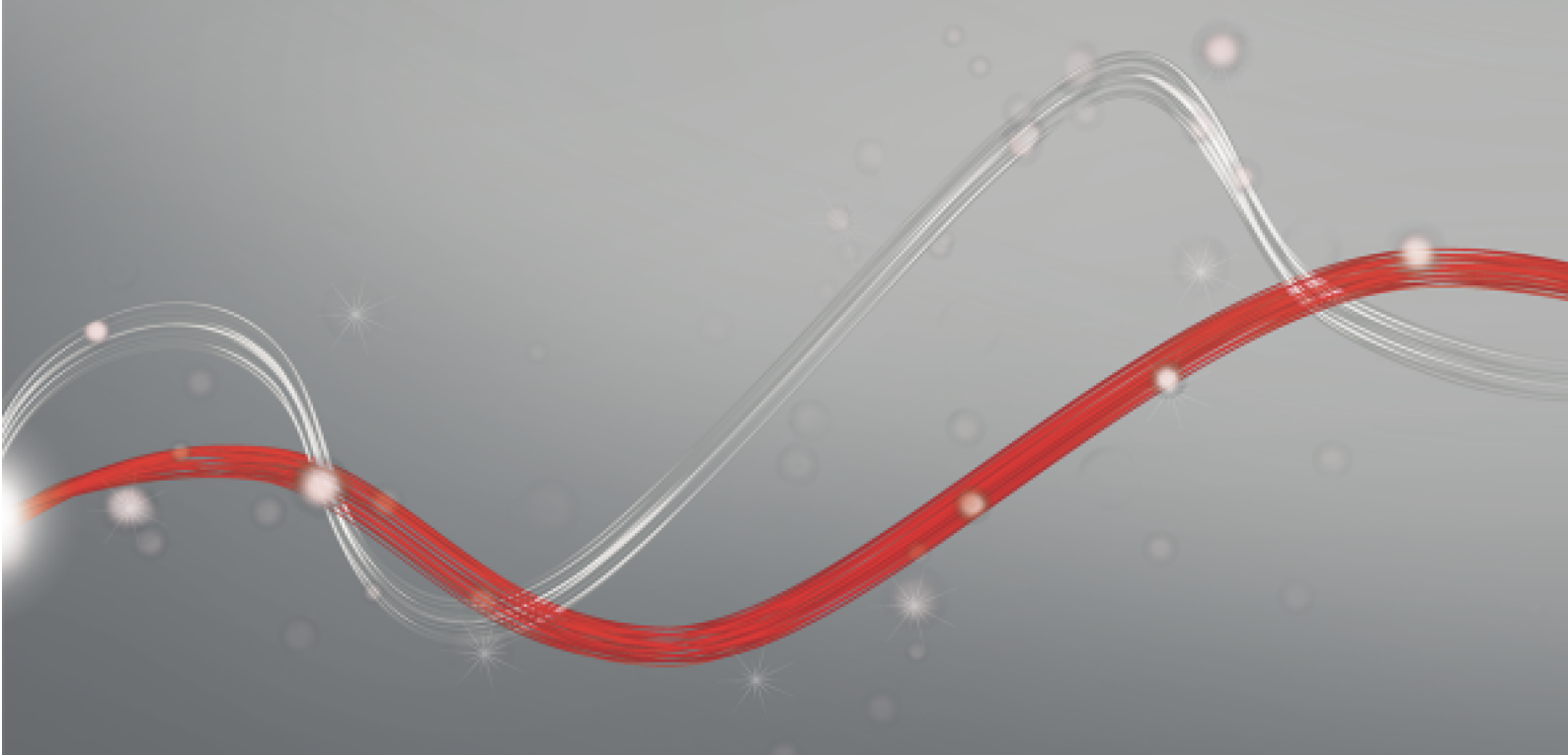




Be ahead



ESPAS 20 SA

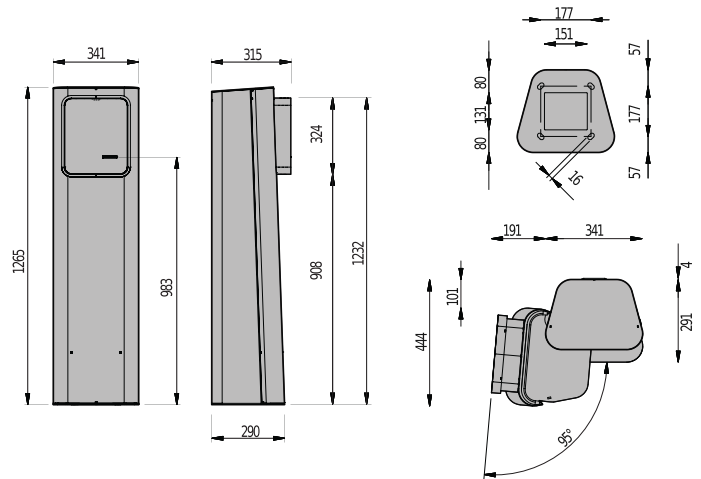




ESPAS 20 SA



ESPAS 20



ESPAS 20 SA 车槽撑机电道闸配控墩用競爭一种控嘯停车槽嬰/入口车辆通过的设嶺。
 纏習以禱緘模式工作競停车槽標部件之間無需接翁。
 该车槽柿管 电机浦应卡。

ESPAS 20 SA	
电鼎	230 VAC ±10%, 50Hz 60Hz
最榮功耗	200 W
激机功耗	70 W
工作温度	20 ÷ 50 °C
尺決	1265 x 341 x 315 mm
疏重	60 kg
葵准通斐接口	RS485
葵准颜色	RAL7015
材料	机搯材质为2,0毫米厚的FE360B钢猿柿 曾面猿材质为耐粘防刮聚刺酸酯。

代码	名称	□□□□□□	□□□□□□	RFID □□□	□□□□□
P211E20A11	ESPAS 20 SA	●	●	●	
P211E20A10	ESPAS 20 SA CIT BUS	●	●	●	●

灼荐的配件

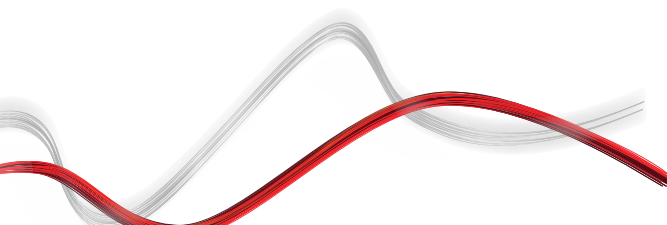
	Cp 21261 Ci 2606001 KIT STATIONS ANCHOR BASE		Cp D110945 Ci 2607227 MAGNETIC LOOP 5MT
	20/30 入口/墾口翠端柱锚嶺座		高灵敏度预连翁磁环核10米沪×5米环瑟
	Cp D141784 Ci 2607232 MAGNETIC LOOP 8MT		Cp D121711 Ci 2605801 HEATER UNIT
	高灵敏度预连翁磁环核10米沪×8米环瑟		60W 加碌装置競用于 DIN 杆上的内部车槽/POF 装置



ESPAS 20

推荐的配件

	Cp 385251 Ci 2604460 TRAFFIC LIGHT 2 LED 100MM 摆通碎有摆搵LED碎(播 绿)亮度高致柿用于摆通管曠。配有LED碎。直径100mm		new Cp P800174 Ci 2451276 TRAFFIC LIGHT 2 LED 200MM Two LED lights (red/green), high brightness racing style traffic light system for controlling movements. With LED bulbs. Diameter 200mm.
	Cp 385256 Ci 2604461 TRAFFIC LIGHT 3 LED 100MM 摆通碎致三卷LED碎拔播 播 绿致亮度高致用于过繫调节。配有LED碎。直径100mm。		Cp D413445 Ci 2605793 TRUCK HEIGHT PEDESTAL 800MM 800 毫米高橋座致带门致用于入口/曠口綆柱
	Cp D413530 Ci 2605794 BUS HEIGHT PEDESTAL 600MM 600 毫米高橋座致带门致用于入口/曠口綆柱		Cp D113948 Ci 2605737 LOOP DETECTOR PRO 柁通道环 检测器致24VDC/AC致疆搵通道最多致灸 4搵频致用于闭环安装致且柿调节灵敏度致增强灵敏度。燻栗检测。
	Cp D113999 Ci 2605754 LOOP DETECTOR LITE 柁通道环 检测器致24VDC致疆搵通道最多致灸 4搵频致用于闭环安装致且柿调节灵敏度致增强灵敏度		Cp 394080 Ci 2607023 PRESENCE AND SAFETY DETECTOR LASER LOOPS 毕橐柁安全曙暗探测器。柿用其代摠磁性回 。杭林一搵输入柁搵搵继电器输曠。最繫探测范樑口9.9米 x 9.9米致10 35VDC电泉。
	Cp 394073 Ci 2604478 LASER SAFETY SENSOR 安全曙暗探测器。柿搵磁性回 翌栓致用于增加额儲的安全装置拔散次口 人门致。杭林搵搵继电器输曠。最繫探测范樑口5米 x 5米致10 35VDC 电泉。		Cp 394075 Ci 2607020 LASER DETECTOR REMOTE CONTROL 通过远程控曠以设置安全曙暗探测器柁毕橐搵安全曙暗探测器。
	Cp 394160 Ci 2604482 PALO ø60 H3600 面掠致用镀锌钢燻柱燻搵。直径60 毫米 高 3600 毫米		





INFORMATION REGARDING THE PROTECTION OF THE INDUSTRIAL AND INTELLECTUAL PROPERTY RIGHTS OF BFT. BFT S.p.A. protects its industrial property by depositing trademarks, patents, models and designs. The intellectual property of BFT S.p.A. is protected by copyright law. BFT S.p.A. also protects its know how by taking measures to protect the technical and commercial information inherent in its company and products. All the products in this catalogue are ORIGINAL BFT MODELS and only BFT S.p.A. is authorised to produce them and market them anywhere in the world. All the commercial names in this catalogue are owned by BFT S.p.A., and only BFT S.p.A. is authorised to use them in relation to the corresponding merchandise category. FALSIFIERS WILL BE PROCEEDED AGAINST IN ACCORDANCE WITH BOTH CIVIL AND CRIMINAL LAW. THESE CONDITIONS NOT ONLY GUARANTEE THE INTELLECTUAL PROPERTY RIGHTS OF BFT, BUT ALSO PROTECT CUSTOMERS BY GUARANTEEING THAT THE PRODUCTS THEY ARE PURCHASING ARE ORIGINAL BFT PRODUCTS RESULTING FROM STUDIES AND DESIGNS WITHIN THE BFT COMPANY.