

# JOINT

## RANGE

Electromechanical operator for column mounted swing gates up to 550Lbs/10 Feet

## JOINT UL/CSA

P935041 00003  
120 Volt VAC



## SMART TECNOLOGY

The large anti-shearing arms allow installation on columns with angles up to 125°.

## SAFE USE

- Quick and easy manual release.
- Adjustable limit switches.
- Maximum recommended offset 18"



## TECHNICAL FEATURES

Control panels	ARIES UL/CSA   Rigel 5 no capacitors Rigel 4 no capacitors
Reversible/irreversible operator	irreversible
Power supply	120 V 60 Hz single-phase
Absorbed power	0.4 hp (300 W)
Thermal protection	integrated
Opening and closing time	15 s
Impact reaction	torque limiter integrated in the control panel
Lock	mechanical opening/closing
Manual release	lockable door and release knob
Operating cycle	intensive use
Environmental conditions	from 5°F (-15°C) to 140°F (60°C)
Degree of protection	IP44
Operator weight	35 lbs (~16 kg)
Leaf weight	up to 550 lbs (250 kg)
Leaf length:	up to 10' (3 m)

- T: US. 1877 995 8155
- info.bft@bft-usa.com
- www.bft-usa.com

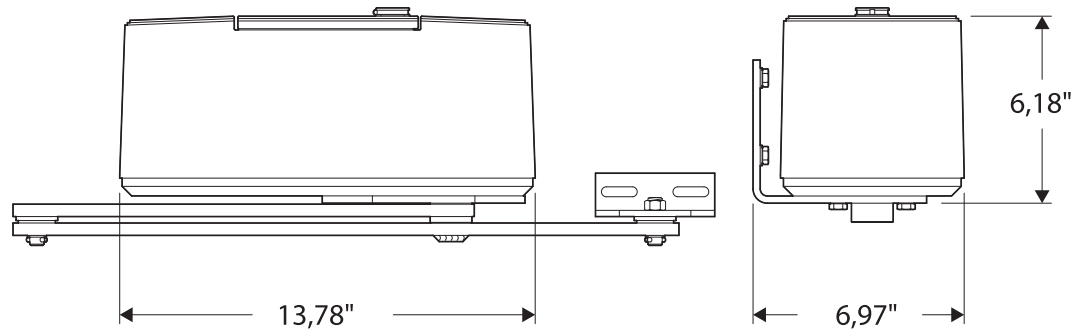


tuned to you

**BFT Americas, Inc.**  
6100 Broken Sound Parkway N.W.,  
Suite 14  
Boca Raton, FL, 33487

# JOINT

## DIMENSIONS



## ACCESSORIES



**D113198 00001**  
ARIES UL/CSA



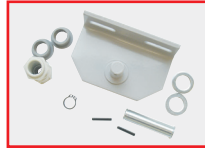
**D113693 00001**  
RIGEL 5 120 V  
NO CAPACITORS



**KD113236 00003**  
RIGEL 4 120V (NO  
CAPACITORS)



**N574005 - SIBOX**  
Empty safe for external  
release and control push-  
button panel.  
Dimensions: 7"x5"x3' 1/2.



**N999177 - PARTS  
KIT**  
Kit for Joint/Igea arms



**P121024 - Q-BOX**  
Digital keypad with  
10 channels and 100  
combinations. Backlit



**KD113693 00001**  
RIGEL 5 NO  
CAPACITORS  
Rigel 5 115 vac with built  
in 433 receiver



**KERIG5C040U**  
RIGEL 5 LE 12X14  
NO CAPACITORS  
12" x14" large fiberglass  
enclosure. Pre-wired with  
Rigel5



**KERIG4C040U**  
RIGEL 4 LE 12x14  
NO CAPACITORS  
12" x14" large fiberglass  
enclosure. Pre-wired with  
Rigel4



**D111904 Mitto 2**  
**Transmitter:**  
12V Two channel 433Mhz  
rolling code remote control

- T: US. 1877 995 8155
- info.bft@bft-usa.com
- www.bft-usa.com



tuned to you

**BFT Americas, Inc.**  
6100 Broken Sound Parkway N.W.,  
Suite 14  
Boca Raton, FL, 33487