

## E5

## ELECTROMECHANICAL OPERATOR FOR SWING GATES



- **A MODEL FOR EVERY NEED.**

→ Multiple installation possibilities thanks to the optional articulated arms (BLE5 or BSE5) which allow the use of the operator on a pillar or in very tight spaces.

- **SAFE USE.**

→Crushing prevention guaranteed by the adjustable mechanical clutch.

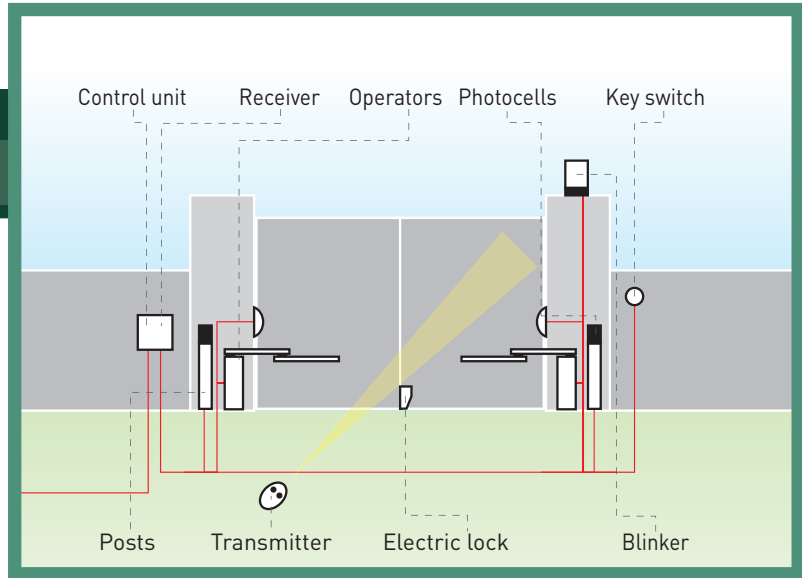
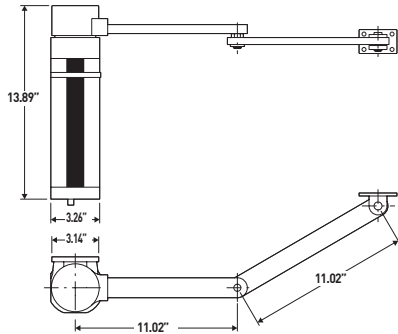
REFERENCE	DESCRIPTION	VOLTAGE	LEAF WEIGHT	LEAF LENGTH
P930003 00002	E5 120 V	120 V	up to 440 lb (~200 kg)	up to 6' 6'' (2 m)

## TECHNICAL FEATURES

E5	
CONTROL PANEL	RIGEL 4 UL/CSA (suggested)
REVERSIBLE/IRREVERSIBLE OPERATOR	reversible
POWER SUPPLY	120 V, 60 Hz single-phase
ABSORBED POWER	0.3 hp (200 W)
THERMAL PROTECTION	integrated
OPENING OR CLOSING TIME	22 s
IMPACT REACTION	mechanical clutch
LOCK	electric lock
MANUAL RELEASE	reversible operator
OPERATING CYCLE	semi intensive use
ENVIRONMENTAL CONDITIONS	from 14 °F (-10°C) to 140 °F (+ 60°C)
DEGREE OF PROTECTION	IP44
OPERATOR WEIGHT	17 lb (~8 kg)
DIMENSIONS	see drawing next page



## DIMENSIONS



## ACCESSORIES


**D113236 00003**  
**RIGEL 4 UL/CSA**

• Control panel for one or two single phase 120V operators up to 0.5 hp (375 W) each.

- This control panel requires the torque setting to be on the operators.
- 2 and 4 steps logic with timer to close and hold-to-run control.
- Adjustable delay on opening and on closing.
- Self-diagnosis through LED.
- Quick wiring through plug-in terminal strips.
- Plug-in connector for receiver.
- UL/CSA approved.


**D113693 00001**  
**RIGEL 5 120 V**

• Control panel for one or two single-phase 120 V operators up to 0.8 hp (600 W) each.

- Easy programming and diagnosis through LCD display.
- Torque and brakesetting.
- 2, 3 and 4 steps logic with timer to close and hold-to-run control.
- Adjustable delay on opening and on closing.
- Quick wiring through plug-in terminal strips.
- Built-in rolling code receiver and plug-in connector for second receiver.


**D113050/110 - SPL 120 V**

Pre-heating board for 1 or 2 LUX, SUB, P4,5-P7 and E5 operators. Can be fitted inside control panels RIGEL 4 UL/CSA, ALCOR UL/CSA.


**D111704 - SSR5**

Traffic light and preheating board for RIGEL 5 control panel.


**P123001 00019**  
**EBP 24 120/24 V**

120/24 Vac gravity electric lock.


**P123001 00004 - EBP 120**  
 120 Vac gravity electric lock.

**D121017 - ECB SX**

Left-hand horizontal electric lock. Also available in right-hand and vertical versions.


**D111501 - ME 120 V**

120 V electric lock interface for ECB lock for ARIES UL and ALCOR UL boards.


**N733008 - BLE 5**

Complete extended arm.


**N728011 - BSE 5**

Slide lever.