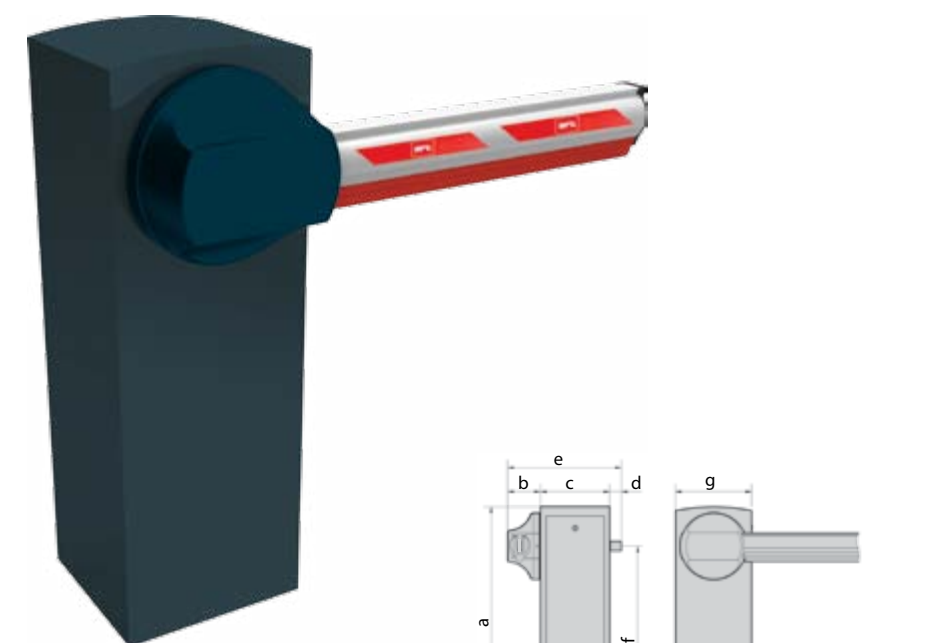


## Maxima

→ 230v AC electromechanical barrier for intensive use for passages from 1,7 m to 8m, suitable for installation in large parking areas.

→ Self-supporting structure in powder coated cataphoresis treated steel with self-cooled oil bath gearmotor housed inside.

→ Smooth bar movement thanks to the rod/crank transmission mechanism. Incorporated boom holder, installation template (as optional) and control unit.



	a	b	c	d	e	f	g
<b>MAXIMA 30</b>	1110	120	320	40	480	950	280
<b>MAXIMA 60 / MAXIMA 80</b>	1155	170	360	60	590	950	400

## TECHNICAL CHARACTERISTICS

	MAXIMA 30	MAXIMA 60	MAXIMA 80
Useful passage	from 1,7 to 3 m	from 4 to 6,4 m	from 6,5 to 8 m
Opening or closing time	1,7 sec.	8sec.	8sec.
Control unit		CSB-BR	
Motor type		single phase	
Frequency of use	10000 Op/day	2000 Op/day	2000 Op/day
MCBF (Mean Cycles Between failures)	5000000 Op	1250000 Op	1250000 Op
Motor power supply		230V	
Slowdown		opening and closing	
Impact reaction		electronic magnetic reverser	
Locking		mechanical	
Release		inside the structure	
Environmental conditions		from -30°C to 60°C	

## Bft, tuned to you

With Bft, your job gets easier.

Because we don't just create "good" products, that work pretty well.

Our thinking is beyond the short-term.

We are conceiving, designing and creating high-tech solutions that are as advanced and effective as they are reliable and long-lasting.

Because we want to provide tools and services that truly are innovative, that will improve your performance and enhance your skills; and that will make your business easier, increasing its profitability.

Because our focus is on Quality with a capital Q.

We just won't settle for less.

The contents of this catalogue (images, technical descriptions, illustrations) are the exclusive property of Bft, s.p.a. Reproduction in any form and on any medium is forbidden. Copyright 2011. All rights reserved. The data in this publication are to be considered as indicative. Bft reserves the right to make any changes without prior notice.

**Bft Spa**  
Via Lago di Vico, 44  
36015 Schio (VI)  
T +39 0445 69 65 11  
F +39 0445 69 65 22

→ [www.bftautomation.com](http://www.bftautomation.com)

## Barriers

Range of road barriers



D832792\_00202



tuned to you

## Maxima Ultra

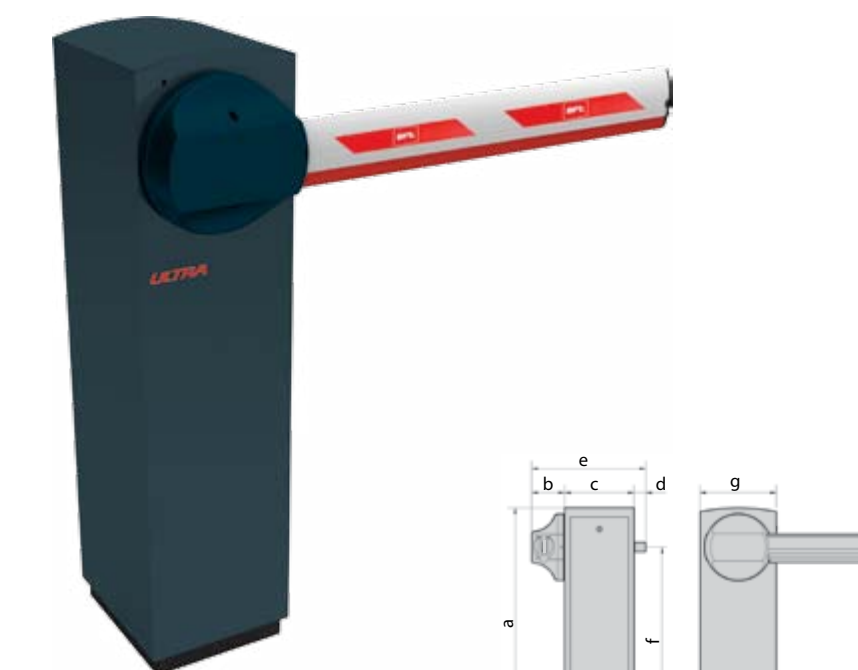
→ Range of professional 230v AC electromechanical barriers with speed variator and three-phase induction motor for high frequency of use.

→ Designed and developed to operate in a wide variety of conditions such as large car parks, motorway tollgates with frequent reversing, industrial installations.

→ Possibility of setting the useful passage from electronic control unit.

→ Mechanical movement with crank to make the bar operate smoothly, also managing slowdowns in opening and closing.

→ Equipped with U-Link protocol, they allow integration in Parking Management or Building Management systems



	a	b	c	d	e	f	g
<b>MAXIMA ULTRA 35</b>	1110	120	320	40	480	950	280
<b>MAXIMA ULTRA 35 SM</b>							
<b>MAXIMA ULTRA 68 / MAXIMA ULTRA 68 SM</b>	1155	170	360	60	590	950	400

## TECHNICAL CHARACTERISTICS

	MAXIMA ULTRA 35	MAXIMA ULTRA 68
Useful passage	from 1,7 to 5 m	from 4 to 8 m
Opening or closing time	0,7 (carbon boom) - 1,5 (3m)	5 (6m) - 6,5 (8m)
Control unit		CSB-XT
Motor type		three-phase asynchronous
Frequency of use	5,000 (20,000 carbon) Op/day	2000 Op/day
MCBF (Mean Cycles Between failures)	5000000 Op	2000000 Op
Motor power supply		230V
Slowdown		opening and closing
Impact reaction		encoder
Locking		mechanical
Release		inside the structure
Environmental conditions		from -30°C to 60°C

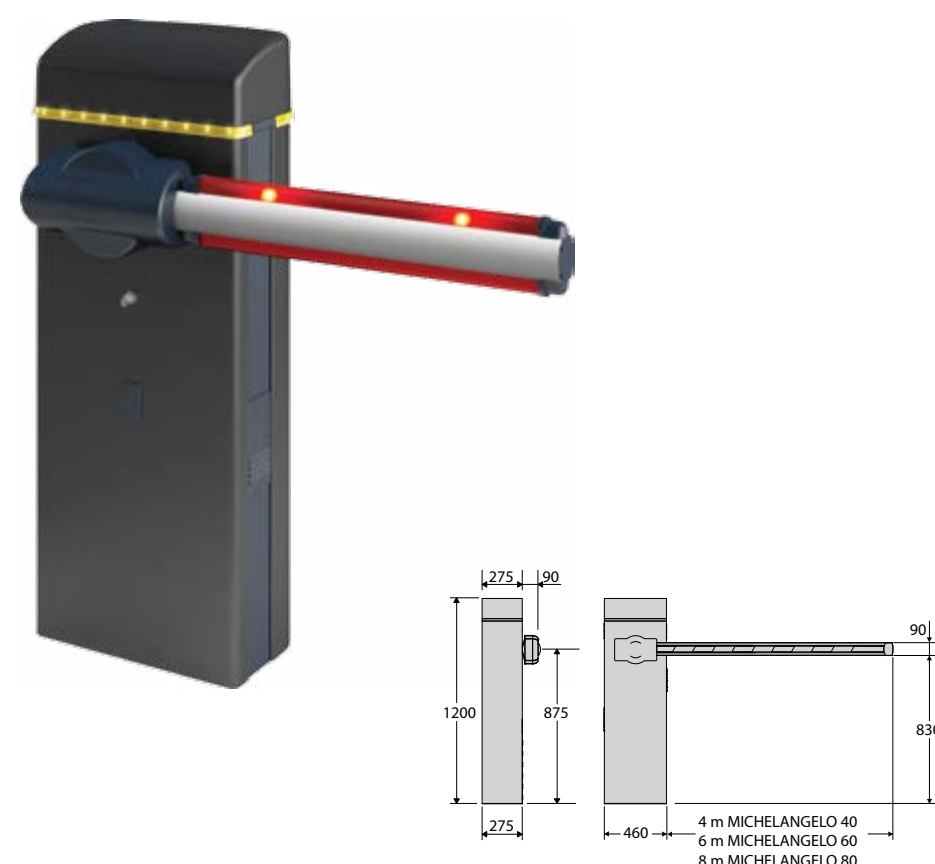
## Michelangelo

→ Range of barriers for very intensive use, able to manage clear drive throughs up to 8 m. The wide range of accessories, the integrated flashing light and the arrangement for fitting photocells make them ideal in any context

→ Control unit with programming display and incorporated two-channel radio receiver mounted on top of the machine for easier and convenient access

→ Electronic adjustment limit switch system that speeds up installation and ensures maximum precision of movement

→ Emergency battery power system, installable on the machine.



## TECHNICAL CHARACTERISTICS

	MICHELANGELO 40	MICHELANGELO 60	MICHELANGELO 80
Useful passage	4m	6m	8m
Control unit	Libra C MV		
Motor power supply	24V		
Opening or closing time	4sec.	6sec.	8sec.
Type of limit switch	electronic adjustable		
Slowdown	mechanical		
Lock	personal release key		
Release	continuous use		
Frequency of use	from - 20 (-40 with thermo activation)°C to 50°C		
Ambient conditions	ip24		
Protection rating			

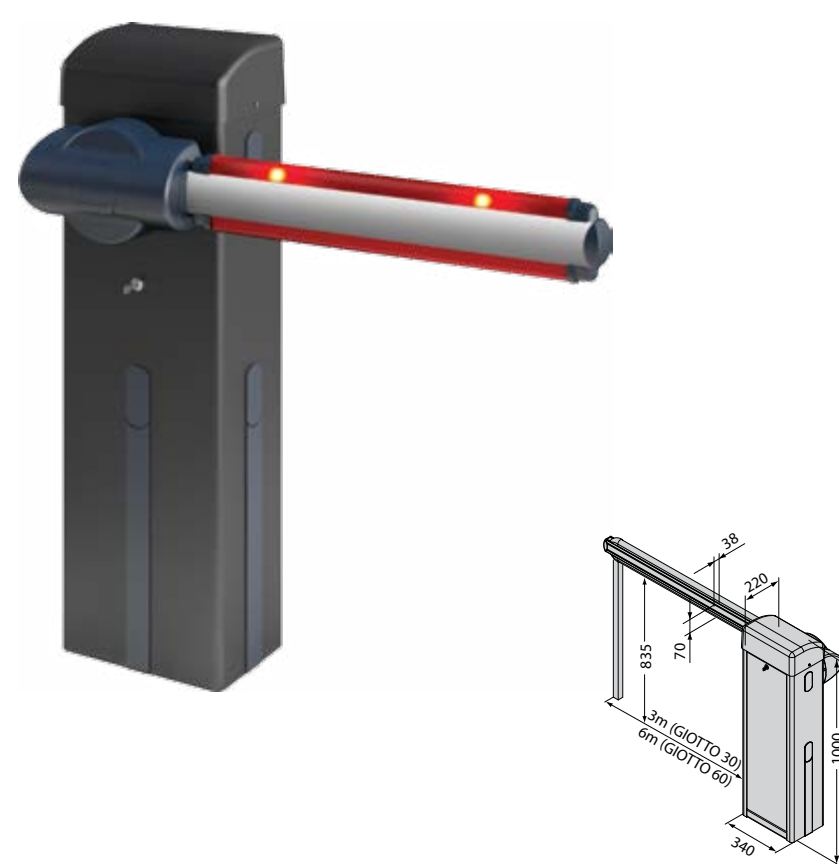
## Giotto

→ Range of barriers for semi-intensive use, able to manage clear drive throughs up to 6 m. Available in the 24V versions, they have a wide range of accessories that make them ideal in any context

→ Programming scenarios: the LIBRA CG/CGS control units enable extremely fast and precise installations thanks to installation scenario programming. In fact, with just a few choices made on the display it is possible to program the control unit completely, saving time and ensuring the best results

→ Control unit in top position: the control unit located at the top of the barrier and protected by a solid aluminium housing enables connection, programming and maintenance operations to be performed with maximum ease and convenience.

→ Power supply 24V: The 24V power supply of the gearmotor allows the use of the emergency power kit (GTO BAT battery kit) as well as the ECOSOL solar power system



## TECHNICAL CHARACTERISTICS

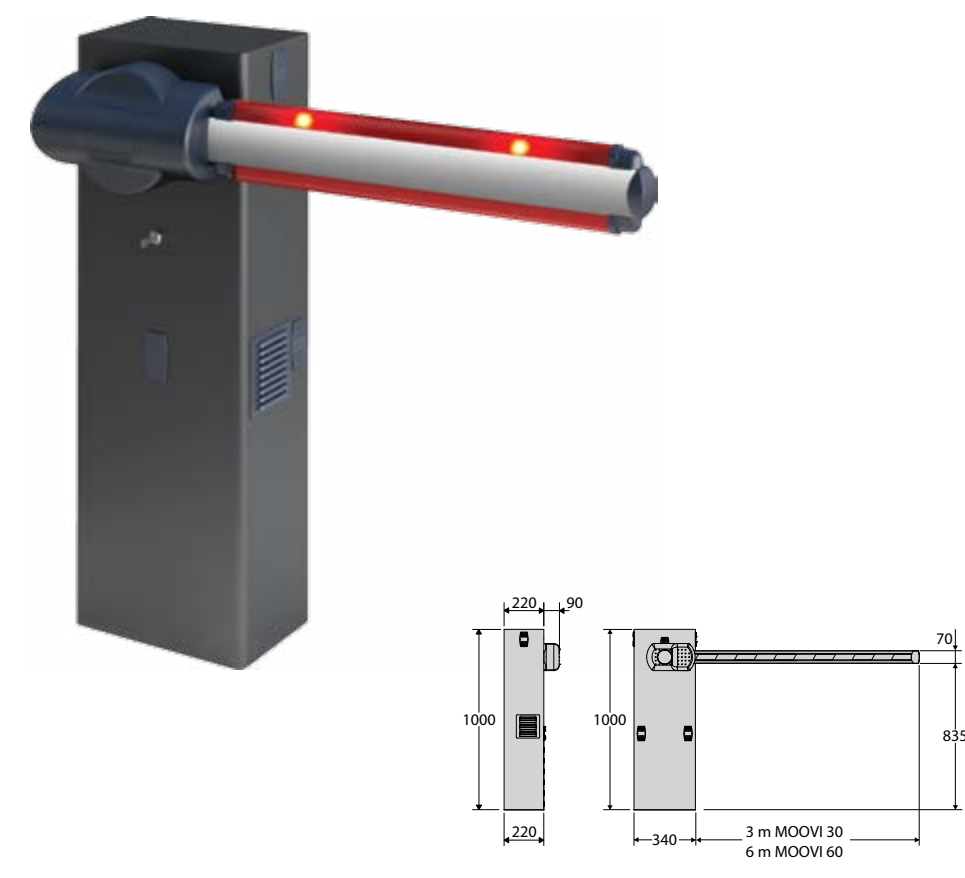
	GIOTTO 30 BT	GIOTTO 30S BT	GIOTTO 60 BT	GIOTTO 60S BT
Useful passage	3m	3m	6m	6m
Control unit	Libra C G	Libra C GS	Libra C G	Libra C GS
Motor power supply	24V			
Opening or closing time	4sec	2.5sec	5sec	4sec
Type of limit switch	electronic open/close adjustable			
Slowdown	mechanical			
Lock	personal release key			
Release	intensive			
Frequency of use	from -10/(-40 with thermo activation)°C to 55°C			
Ambient conditions	ip54			
Protection rating				

## Moovi

→ Range of barriers for semi-intensive use, able to manage clear drive throughs up to 6 m. The wide range of accessories available makes them ideal in any context

→ Also available in the Moovi 30S rapid version with opening speed of 1.5 s (plus slow) and intensive use.

→ Control unit with programming display and incorporated two-channel radio receiver (models Moovi 30/60RMM/30S)



## TECHNICAL CHARACTERISTICS

	MOOVI 30S	MOOVI 30	MOOVI 30 RMM	MOOVI 60	MOOVI 60 RMM
Useful passage	3m	3m	3m	6m	6m
Control unit	Leo MV D	Alpha Bom	Leo MV D	Alpha Bom	Leo MV D
Motor power supply	230V				
Opening or closing time	1,5sec + slow down	4sec	4sec	8sec	8sec
Type of limit switch	electric incorp. and adjustable				
Slowdown	adjustable				
Lock	mechanical				
Release	personal release key				
Frequency of use	intensive	semi-intensive	semi-intensive	semi-intensive	semi-intensive
Ambient conditions	from -20°C to 50°C				
Protection rating	ip24				

## Accessories

	Code	Name	Description	MOOVI	GIOTTO	MICHEL.	MAXIMA	MAXIMA ULTRA
	P120036 00001	ATM25	Aluminium bar L=2.5 m with drop-shaped profile and red reflectors. Lights and rubber protection not included. Completely protected by new polystyrene packaging.				■	■
	P120036 00002	ATM30	Aluminium bar L=3 m with drop-shaped profile and red reflectors. Lights and rubber protection not included. Completely protected by new polystyrene packaging.				■	■
	P120036 00003	ATM40	Aluminium bar L=4 m with drop-shaped profile and red reflectors. Lights and rubber protection not included. Completely protected by new polystyrene packaging.				■	■
	P120036 00004	ATM50	Aluminium bar L=5 m with drop-shaped profile and red reflectors. Lights and rubber protection not included. Completely protected by new polystyrene packaging.				■	■
	P120037 00001	ATM30 90°	Articulated bar 90° L=3 fitted. Rubber and lights not included.				■	■
	P120037 00002	ATM50 90°	Articulated bar 90° L=5 fitted. Rubber and lights not included.				■	■
	P120038 00001	ATM30 90° L	3m articulated bar 90° opening, with bar and lights fitted.				■	■
P120038 00002	ATM50 90° L	5m articulated bar 90° opening, with lights and bar fitted.				■	■	
	P120041	ATML60	Aluminium bar L= 60m ø 92 mm. Lights and rubber not included. Completely protected by new polystyrene packaging.				■	■
	P120042	ATML EXT2	Extension L=2m for bar model ATML 60. Lights and rubber not included.				■	■
	P120046	OMEGA ATML U 68	Single clamping of hand guard and screws for Maxima_68 Ultra. Bar not included.					■
	P120062	OMEGA ATM U35	Single clamping for ATM bar for MAXIMA ULTRA 35. Bar not included.					■
	P120043	OMEGA ATM	Single clamping of hand guard and screws for bar ATM				■	
	P120044	OMEGA ATML	Single clamping of hand guard and screws for MAXIMA 60/80. Bar not included.				■	
	N728022	AQ6	Complete 6 m rectangular boom for MICHELANGELO				■	
	N999606	OMEGA AQ 6	Accessories pack for AQ 6 boom					■
	N999607	OMEGA AT 70	Accessories pack for AT 704/706					■
	N728026	AT 704	First part of telescopic round boom for MICHELANGELO, diam. 70 mm, length 4.3 m.				■	
	N728027	AT 504	Second part of telescopic round boom for MICHELANGELO, diam. 50 mm, length 4.6 m.				■	
	N728028	AT 502	Second part of telescopic round boom for MICHELANGELO, diam. 50 mm, length 2.6 m.				■	
	N728030	AT 706	Round boom diam. 70 mm length 6.35 m for MICHELANGELO, for openings up to 6 m				■	
	N728033	AQ3	Complete 3 metre rectangular boom for GIOTTO and MOOVI	■	■			
	N728034	AQ5	Complete 5 metre rectangular boom for GIOTTO and MOOVI	■	■			
	N999507	OMEGA AQ	Pack of accessories for installation of 3/5 m rectangular boom for MOOVI/GIOTTO	■	■			
	N728031	AT3	Complete 3 metre round boom for MOOVI/GIOTTO	■	■			
	N728032	AT5	Complete 5 metre round boom for MOOVI/GIOTTO	■	■			
	N728038	AT6	Complete 6 metre round boom for MOOVI/GIOTTO	■	■			
	N999513	OMEGA AT	Pack of accessories for installation of 3/6 m round boom for MOOVI/GIOTTO	■	■			