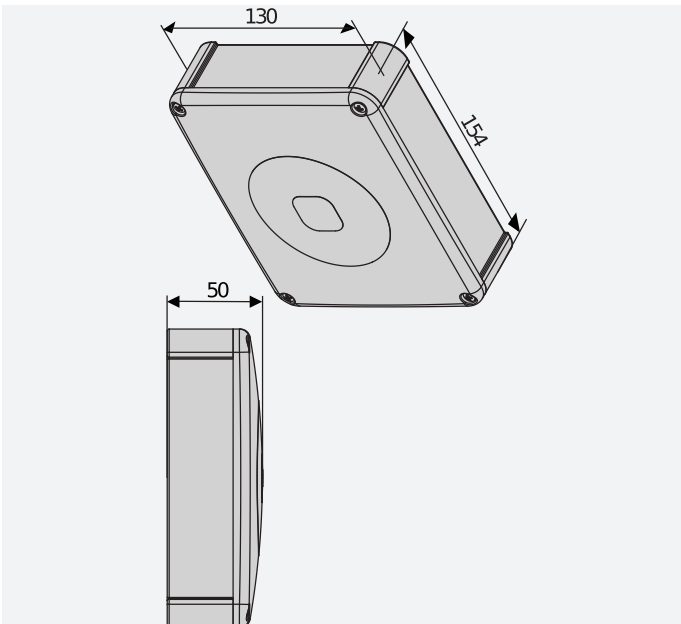




Innovative hands-free system for the automatic management of entries/exits based simply on proximity to an antenna. Passy is reliable and safe and is the ideal system for situations where even the simple pressing of a remote control button can be inconvenient or dangerous, such as motor cycle access points, forklift truck entries/exits or truck loading ramps.

DIMENSION (MM)



TECHNICAL FEATURES

	PASSY ANTENNA MONO	PASSY ANTENNA OMNI	PASSY TRANSPONDER
Power supply	14/18 V	14/18 V	
Current input	Typ 3W Max 6W	Typ 3W Max 6W	
Band	2400-2483 MHz	2400-2483 MHz	
Power			<8 dB
Frequency			433.92±0.1 MHz
Protection rating	IP55		
Environmental conditions	-20 ÷ 70 °C		-10 ÷ 60 °C



		Description
D111457 00002	PASSY ANTENNA MONO	Unidirectional antenna with power supply 14/18 V. Hands-free control devices, also compatible with non-BFT systems. Unidirectional antenna with power supply 14/18 V.
D111457 00001	PASSY ANTENNA OMNI	Omnidirectional antenna with power supply 14/18 V. Hands-free control devices, also compatible with non-BFT systems. Omnidirectional antenna with power supply 14/18 V.
D111456	PASSY TRANSPONDER	Transponder with button for manual control of automation. Transponder with button for manual control of automation.

RECOMMENDED ACCESSORIES

	D113674 00001 - CLONIX 2E External dual channel 433 MHz rolling code receiver. 128-position memory. 24 V.		D113807 00002 - CLONIX 2E AC U-LINK 230 433 MHz external receiver with 2 outputs with NO contact. Compatible with U-LINK protocol (with 3 connection slots). Power supply 230 V, 2048-position memory.
	D113808 00003 - CLONIX UNI AC U-LINK 230V 433 MHz external receiver with 3 outputs: 2 with NO contact and one NO/NC configurable. Compatible with U-LINK protocol (with 3 connection slots). Power supply 230 V, 2048-position memory.		

