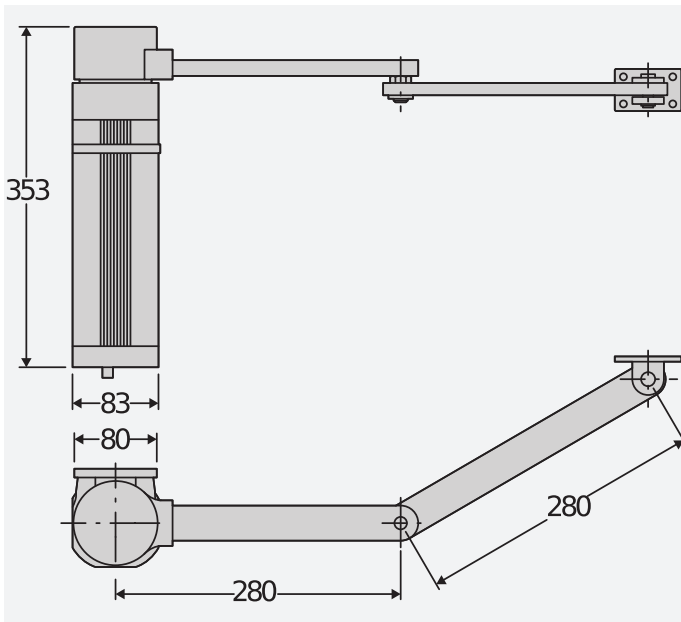




Extremely small-size electromechanical operator with articulated arm.
Suitable for residential use; capable of automating swing gate leaves up to 1.8 metres wide and weighing up to 200 kg.

DIMENSION (MM)



Technical features

	E5	E5 120
Control unit	ALCOR N	
Board power supply		
Motor voltage	230 V	120 V
Power input	200 W	200 W
Max. width of door/gate wing	1.8 m	1.8 m
Max. weight of door/gate wing	200 kg	200 kg
Maximum angle	130 °	130 °
Cycle time	22 s	22 s
Type of limit switch	work time	work time
Slowdown	no	no
Locking	Solenoid Lock	Solenoid Lock
Release	Reversible	Reversible
Impact reaction	Mechanical clutch	Mechanical clutch
Frequency of use	Semi intensive	Semi intensive
Protection rating	IP44	
Environmental conditions	-10 ÷ 60 °C	



		Description
P930003 00001	E5	Electromechanical operator 230 V for swing gates up to 200 kg in weight and 1.8 m in length. work time limit switch.
P930003 00002	E5 120	Electromechanical operator 120 V for swing gates up to 200 kg in weight and 1.8 m in length. work time limit switch.





ALCOR N: Control panel with dip switches and potentiometers for one or two 230V/300W operators for swing gates.

D113706 00002 - ALCOR N - Built-In



- Control panel with dip switches and potentiometers for one or two 230V/300W operators for swing gates
- Compatibility: ALCOR SD
- Application: control panel for one or two swing gate operators
- Board power supply: 230V single-phase
- Operators power supply: 230V single-phase 300W max each operator
- Main features: removable terminal blocks, settings controlled by potentiometers, fault signalling LEDs and incorporated dual channel receiver
- Main functions: stays locked when closed, 3/4 step logic, partial opening, separate opening/closing

RECOMMENDED ACCESSORIES

	D113680 00002 - ALPHA SD Universal control panel with potentiometers for one 230V/500W single-phase operator.		D113833 00002 - RIGEL 6 220-230V 50/60HZ Universal control panel with display for one or two 230V - 650+650W operators.
	N733008 - BL E5 Long articulated arm for E5, max leaf length 2 m, max leaf weight 200 kg.		N728011 - BS E5 Slide lever for E5. Increases maximum opening angle to 180 °, max leaf length 1.6 m, max leaf weight 100 kg.

