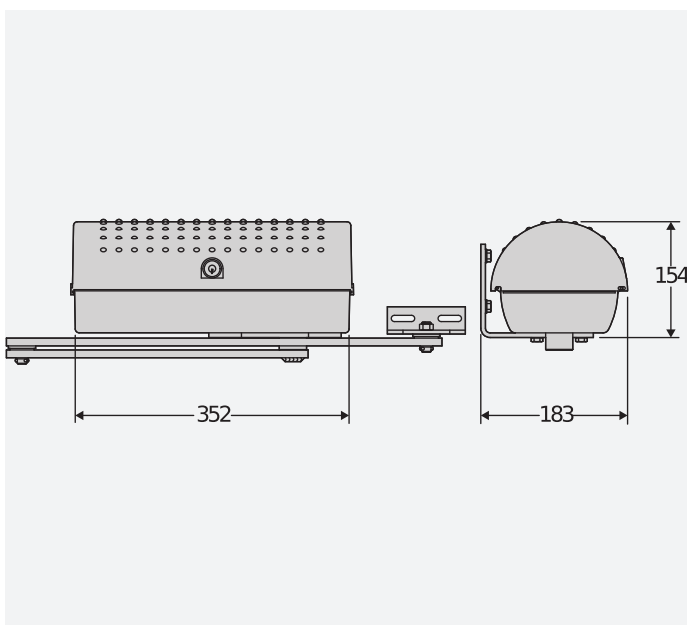




Range of electromechanical operators with articulated arm for residential use, for swing gate leaves of up to 2.5 metres and 250 kg.  
Ideal for installation on large-size pillars thanks to its articulated levers that allow opening up to 125°.

### DIMENSION (MM)



### Technical features

	IGEA
Control unit	ALTAIR P
Board power supply	
Motor voltage	230 V
Power input	300 W
Max. width of door/gate wing	2.5 m
Max. weight of door/gate wing	250 kg
Maximum angle	125 °
Cycle time	15 s
Type of limit switch	Electromechanical
Slowdown	no
Locking	Mechanical
Release	Knob operated with personal key
Impact reaction	Electronic clutch
Frequency of use	intensive
Protection rating	IP44
Environmental conditions	-15 ÷ 60 °C



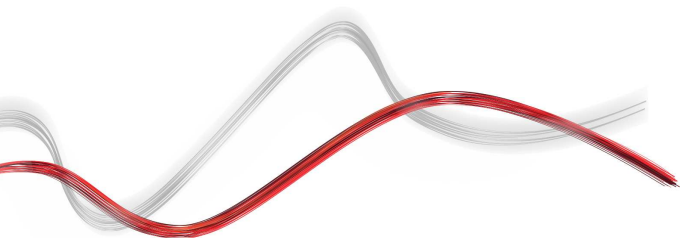
		Description
<b>P935065 00002</b>	<b>IGEA</b>	Electromechanical operator 230 V for swing gates up to 250 kg in weight and 2.5 m in length. Limit switch Electromechanical.

**ALTAIR P: ALTAIR P control panel.****D113703 00002 - ALTAIR P - Recommended**

- Control panel with display for one or two 230V/300W operators for swing gates and industrial folding doors
- Application: control panel for one or two operators for swing gates
- Board power supply: 230V single-phase
- Operators power supply: 230V single-phase 300W max each operator
- Main features: removable terminal blocks, programming with display and built-in dual channel receiver
- Main functions: stays locked when closed, 3/4 step logic, partial opening, fast closing and self-diagnostics
- Compatibility: ALTAIR and ARIES

## RECOMMENDED ACCESSORIES

	<b>P135005 - LRV</b>		<b>N574039 - BOX</b>
	Short articulated arms for IGEA and IGEA BT.		Wall-mounted safe for steel cable release and electric control.

[www.bft-automation.com](http://www.bft-automation.com)