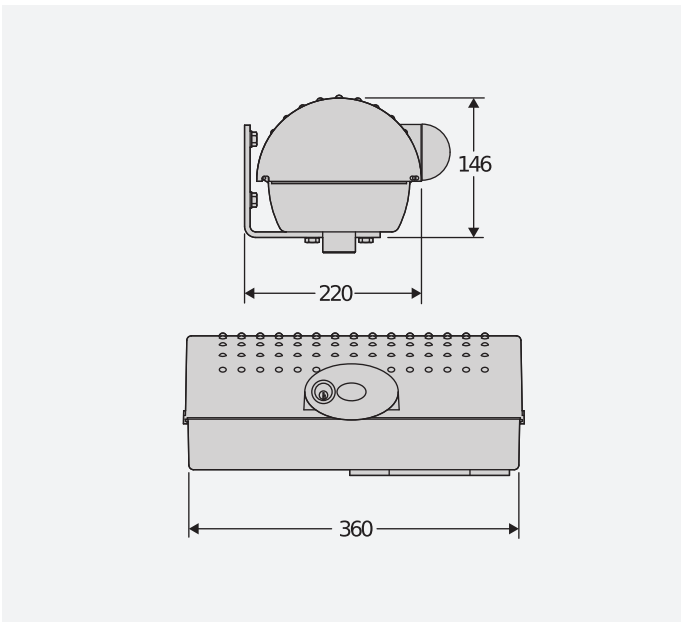


- H.O.M.E.
- BUILDING
- d-track
- ee link
- er
- er ready
- 24 V
- U-Link



Gamma di operatori irreversibili elettromeccanici 24 v per cancelli battenti fino a 250 kg di peso e 2.5 m di lunghezza.  
 Ideal for installation on large-size pillars thanks to its articulated levers that allow opening up to 125°.

DIMENSION (MM)



Technical features



Description

**THALIA: Control panel with display for one or two 24V electromechanical operators for swing gates.**

**D113745 00002 - THALIA - Built-In**



- Control panel with display for one or two 24V electromechanical operators for swing gates
- Application: control panel with display for one or two 24V electromechanical operators for swing gates
- Board power supply: 230V single-phase
- Operators power supply: 24Vdc 180W max each operator
- Main features: new standard colour removable terminal blocks, simplified scenario-based programming with display and integrated dual-channel receiver, D-Track anti-crushing system, slowdown during opening and closing and electronic self-learning
- Main functions: automatic re-closing, fast closing, partial opening, deadman feature
- Compatibility: LIBRA C MA, LIBRA, LIBRA R, LIBRA MA R

RECOMMENDED ACCESSORIES

	<p>P135005 - <b>LRV</b></p> <p>Short articulated arms for IGEA and IGEA BT.</p>		<p>N574039 - <b>BOX</b></p> <p>Wall-mounted safe for steel cable release and electric control.</p>
	<p>D111761 - <b>ME BT</b></p> <p>Control board for 24Vac solenoid lock for 24V automation systems.</p>		

