

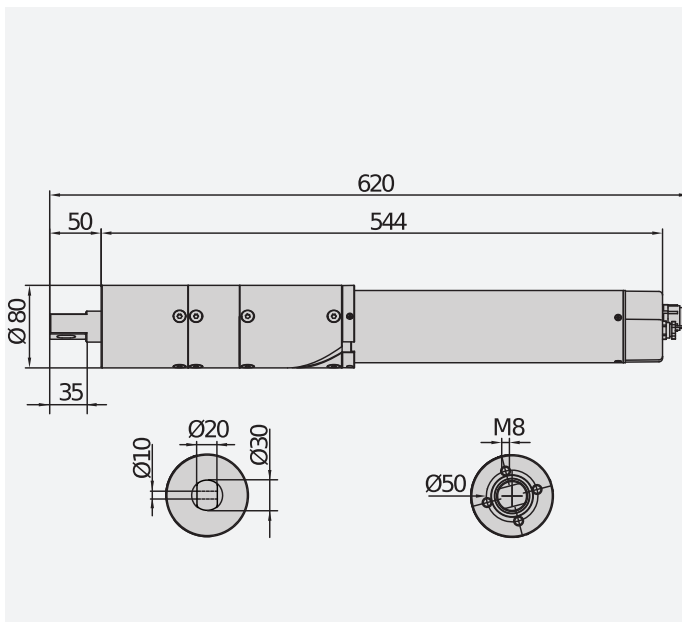


Residential 24V operator for gates of up to 150 kg in weight, able to integrate completely within the jambs of swing gates.

Disappearing completely, it enables keeping the look of the gates "clean" while remaining a fundamental element of operational performance.

The Hide range includes an entire outfit of accessories needed to install the gate completely, such as the top and bottom hinges.

## DIMENSION (MM)



## Technical features

	<b>HIDE SW</b>
Control unit	CB HIDE
Board power supply	
Motor voltage	24 V
Power input	40 W
Max. width of door/gate wing	2 m
Max. weight of door/gate wing	150 kg
Maximum angle	110 °
Cycle time	12 s
Type of limit switch	Absolute encoder
Slowdown	Yes
Locking	Electromechanical
Release	Steel cable
Impact reaction	D-Track
Frequency of use	intensive
Protection rating	IP45
Environmental conditions	-20 ÷ 60 °C



		Description
P930124 00001	HIDE SW	Disappearing irreversible electromechanical operator 24 V for swing gates weighing up to 150 kg and 2 m long. Absolute encoder limit switch.
R930138 00002	HIDE SW KIT	Complete kit 24 V for swing gates up to 150 kg in weight and 2 m in length. Absolute encoder limit switch.

#### LIBRA CB HIDE: Control panel with display for 1 or 2 HIDE SW series operators.

##### D113742 00002 - LIBRA CB HIDE - Recommended



- Control panel with display for 1 or 2 HIDE SW series operators
- Application: control panel for one or two HIDE SW operators
- Board power supply: 230V single-phase
- Operators power supply: 24Vdc 200W max each operator
- Main functions: automatic re-closing, fast closing, partial opening, deadman feature, pulse blocking, separate opening/closing
- Main features: removable terminal blocks, programming with display and incorporated dual channel receiver, anti-crushing, slowdown during opening and closing and electronic self-learning, D-TRACK torque control system

## RECOMMENDED ACCESSORIES

	N999526 - <b>HIDE HINGE SUP</b> Top hinge for the installation of HIDE SW series operator.		N999524 - <b>HIDE HINGE INF</b> Bottom fixed hinge for the installation of HIDE SW series operator.
	N574039 - <b>BOX</b> Wall-mounted safe for steel cable release and electric control.		P125005 - <b>BT BAT</b> Set of backup batteries for LIBRA C MA, LIBRA C LX, HYDRA N, ARGO.