

ARES ULTRA BT A



SLIDING GATE AUTOMATION SYSTEMS



24 V



ee link



U-Link



d-track

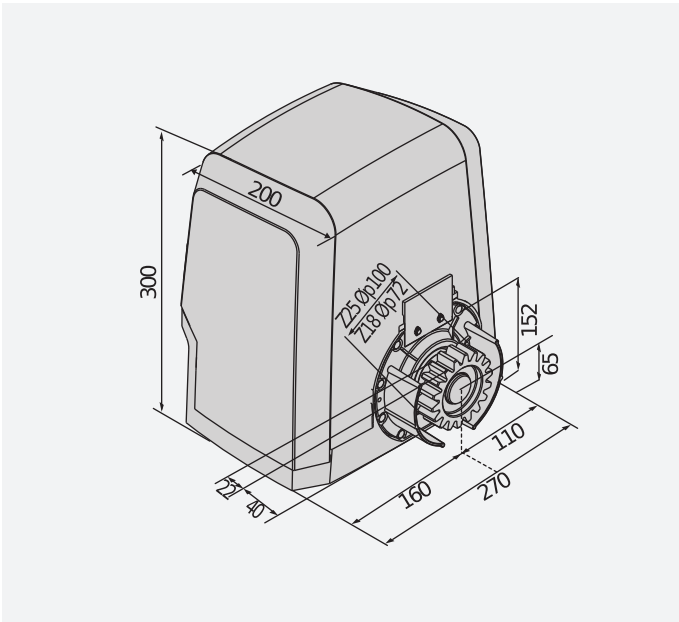


er ready



24 V sliding gates operator for intensive use, up to 1500 Kg in weight. Leaf speed up to 9 m/min. Magnetic limit switch and control board with U-link protocol embedded

DIMENSION (MM)



TECHNICAL FEATURES

	ARES ULTRA BT A1000 120	ARES ULTRA BT A1500 120
Control unit	MERAK	
Board power supply	120 V	120 V
Supply voltage AC	120 V	120 V
Power input	240 W	400 W
Max. door/gate weight	1000 kg	1500 kg
Gate speed	9 m/min	9 m/min
Type of limit switch	Magnetic	Magnetic
Pinion module	4	4
Slowdown	Yes	Yes
Locking	Mechanical	Mechanical
Release	Lever-operated with personal key	Lever-operated with personal key
Impact reaction	D-Track	D-Track
Frequency of use	intensive	intensive
Protection rating	IP44	
Environmental conditions	-20 ÷ 55 °C	

			Description	
P926193 00001	ARES ULTRA BT A1000 120		Operator 120 V for sliding gates up to 1000 kg in weight. Leaf speed 9 m/min. U-Link and Magnetic limit switch.	 U-Link
P926191 00001	ARES ULTRA BT A1500 120		Operator 120 V for sliding gates up to 1500 kg in weight. Leaf speed 9 m/min. U-Link and Magnetic limit switch.	 U-Link

MERAK: Incorporated control unit for one 24V operator for sliding gates.

MERAK - Built-In



- Incorporated control unit for one 24V operator for sliding gates
- Board power supply: 230V single-phase
- Operator power supply: 24V 80W
- Main characteristics: removable terminal boards with new colour standard, simplified programming with scenario display, integrated two-channel receiver, D-Track based antisquashing system and slowdown during opening or closing
- Main functions: automatic closing, quick closing, pedestrian passage, people-present operation, maintenance warnings
- Compatibility: HQSC-D, QSC-D MA

RECOMMENDED ACCESSORIES

	D221073 - CP plastic rack, 4-module, cross-section 22 x 22 mm, length 1 m, screw-fitted into slots. Max. load capacity 600 kg.		N999320 - CVZ-5 steel rack, 4-module, cross-section 30 x 8 mm, length 1 m, screw-fitted on supports. Max. load capacity 800 kg.
	D571053 - CVZ steel rack, 4-module, cross-section 30 x 12 mm, length 1 m, screw-fitted on supports. Max. load capacity 1000 kg.		D571054 - CFZ galvanized steel rack, 4-module, cross-section 22 x 22 mm, length 2 m, welding. Max. load capacity 2000 kg.
	P125035 - SL BAT2 Emergency battery kit for Deimos BT A, Ares BT A, Deimos Ultra BT A, Ares Ultra BT A.		P125018 - THEKE B PRA 01 Metal protection box for ARES and ICARO series sliding operators.

