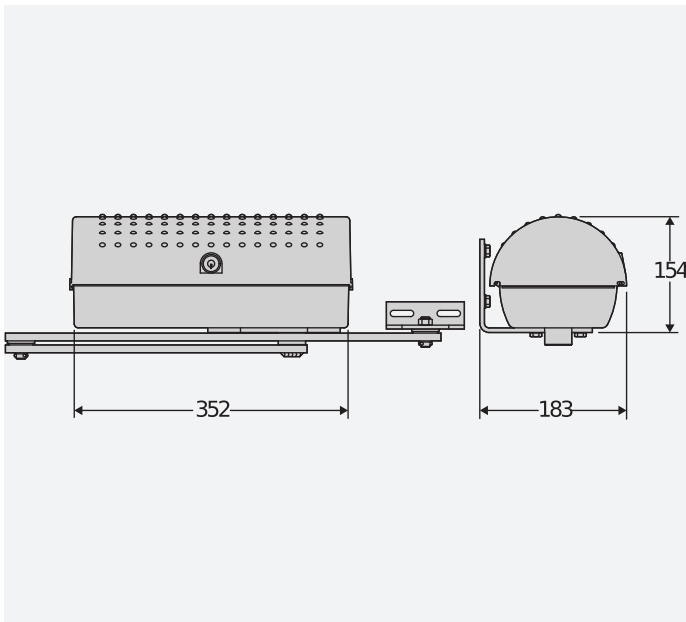


- HOME
- BUILDING
- ee link
- er ready




Range of electromechanical operators with articulated arm for residential use, for swing gate leaves of up to 2.5 metres and 250 kg.  
Ideal for installation on large-size pillars thanks to its articulated levers that allow opening up to 125°.

DIMENSION (MM)



Technical features

	Description
<p><b>ALTAIR P: ALTAIR P control panel.</b></p> <p><b>ALTAIR P - Recommended</b></p> 	<ul style="list-style-type: none"> <li>Control panel with display for one or two 230V/300W operators for swing gates and industrial folding doors</li> <li>Application: control panel for one or two operators for swing gates</li> <li>Board power supply: 230V single-phase</li> <li>Operators power supply: 230V single-phase 300W max each operator</li> <li>Main features: removable terminal blocks, programming with display and built-in dual channel receiver</li> <li>Main functions: stays locked when closed, 3/4 step logic, partial opening, fast closing and self-diagnostics</li> <li>Compatibility: ALTAIR and ARIES</li> </ul>

## RECOMMENDED ACCESSORIES

	<p><b>P135005 - LRV</b></p> <p>Short articulated arms for IGEA and IGEA BT.</p>		<p><b>N574039 - BOX</b></p> <p>Wall-mounted safe for steel cable release and electric control.</p>
---	---	---	--

