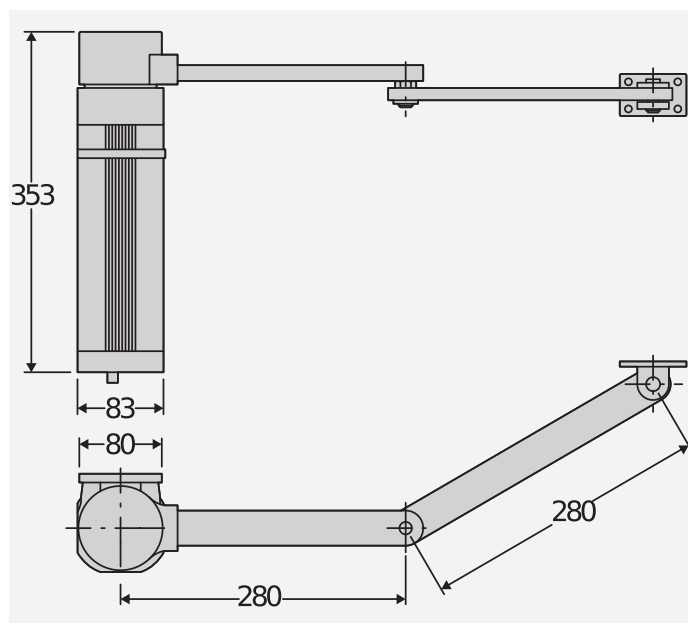




Extremely small-size electromechanical operator with articulated arm. Suitable for residential use; capable of automating swing gate leaves up to 1.8 metres wide and weighing up to 200 kg.

## DIMENSION (MM)



## Technical features

	<b>E5</b>
Control unit	ALCOR N
Board power supply	
Motor voltage	230 V
Power input	200 W
Max. width of door/gate wing	1.8 m
Max. weight of door/gate wing	200 kg
Maximum angle	130 °
Cycle time	22 s
Type of limit switch	work time
Slowdown	no
Locking	Solenoid Lock
Release	Reversible
Impact reaction	Mechanical clutch
Frequency of use	Semi intensive
Protection rating	IP44
Environmental conditions	-10 ÷ 60 °C

		Description
P930003 00001	E5	Electromechanical operator 230 V for swing gates up to 200 kg in weight and 1.8 m in length. work time limit switch.

### ALCOR N: Control panel with dip switches and potentiometers for one or two 230V/300W operators for swing gates.

#### ALCOR N - Built-In



- Control panel with dip switches and potentiometers for one or two 230V/300W operators for swing gates
- Compatibility: ALCOR SD
- Application: control panel for one or two swing gate operators
- Board power supply: 230V single-phase
- Operators power supply: 230V single-phase 300W max each operator
- Main features: removable terminal blocks, settings controlled by potentiometers, fault signalling LEDs and incorporated dual channel receiver
- Main functions: stays locked when closed, 3/4 step logic, partial opening, separate opening/closing

### RECOMMENDED ACCESSORIES

	D113680 00002 - <b>ALPHA SD</b>		N733008 - <b>BL E5</b>
	Universal control panel with potentiometers for one 230V/500W single-phase operator.		Long articulated arm for E5, max leaf length 2 m, max leaf weight 200 kg.
	N728011 - <b>BS E5</b>		
	Slide lever for E5. Increases maximum opening angle to 180 °, max leaf length 1.6 m, max leaf weight 100 kg.		

