



24 V



U-Link



U-Link



D-Track

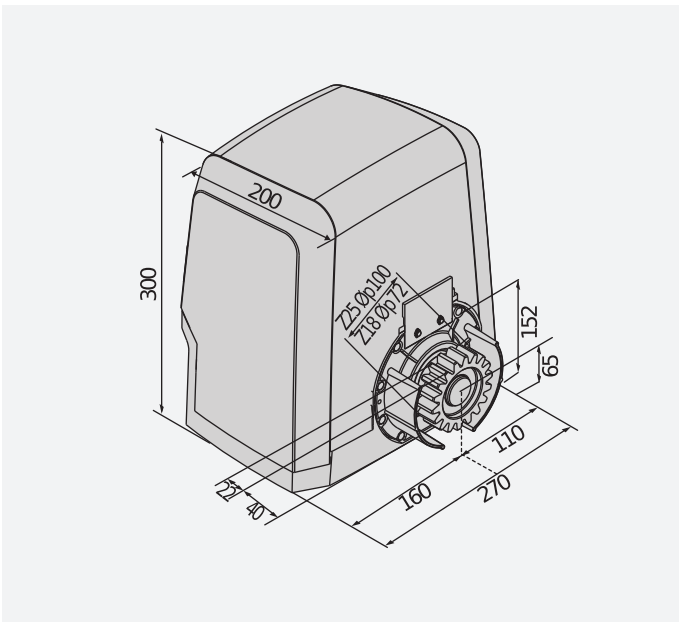


Merak ready



24 V sliding gates operator for intensive use, up to 1500 Kg in weight. Leaf speed up to 9 m/min. Magnetic limit switch and control board with U-link protocol embedded

## DIMENSION (MM)



## TECHNICAL FEATURES

	ARES ULTRA BT A1000	ARES ULTRA BT A1000 120	ARES ULTRA BT A1500	ARES ULTRA BT A1500 120
Control unit	MERAK			
Board power supply	230 V	120 V	230 V	120 V
Supply voltage AC	24 V	120 V	24 V	120 V
Power input	240 W	240 W	400 W	400 W
Max. door/gate weight	1000 kg	1000 kg	1500 kg	1500 kg
Gate speed	9 m/min	9 m/min	9 m/min	9 m/min
Type of limit switch	Magnetic	Magnetic	Magnetic	Magnetic
Pinion module	4	4	4	4
Slowdown	Yes	Yes	Yes	Yes
Locking	Mechanical	Mechanical	Mechanical	Mechanical
Release	Lever-operated with personal key	Lever-operated with personal key	Lever-operated with personal key	Lever-operated with personal key
Impact reaction	D-Track	D-Track	D-Track	D-Track
Frequency of use	intensive	intensive	intensive	intensive
Protection rating	IP44			
Environmental conditions	-20 ÷ 55 °C			

		Description	
P926193 00002	ARES ULTRA BT A1000	Operator 24 V for sliding gates up to 1000 kg in weight. Leaf speed 9 m/min. U-Link and Magnetic limit switch.	U-Link
P926193 00001	ARES ULTRA BT A1000 120	Operator 120 V for sliding gates up to 1000 kg in weight. Leaf speed 9 m/min. U-Link and Magnetic limit switch.	U-Link
P926191 00002	ARES ULTRA BT A1500	Operator 24 V for sliding gates up to 1500 kg in weight. Leaf speed 9 m/min. U-Link and Magnetic limit switch.	U-Link
P926191 00001	ARES ULTRA BT A1500 120	Operator 120 V for sliding gates up to 1500 kg in weight. Leaf speed 9 m/min. U-Link and Magnetic limit switch.	U-Link

### MERAK: Incorporated control unit for one 24V operator for sliding gates.

#### C-U-MERAK - MERAK - Built-In



- Incorporated control unit for one 24V operator for sliding gates
- Board power supply: 230V single-phase
- Operator power supply: 24V 80W
- Main characteristics: removable terminal boards with new colour standard, simplified programming with scenario display, integrated two-channel receiver, D-Track based antisquashing system and slowdown during opening or closing
- Main functions: automatic closing, quick closing, pedestrian passage, people-present operation, maintenance warnings
- Compatibility: HQSC-D, QSC-D MA

## RECOMMENDED ACCESSORIES

	D221073 - <b>CP</b> plastic rack, 4-module, cross-section 22 x 22 mm, length 1 m, screw-fitted into slots. Max. load capacity 600 kg.		N999320 - <b>CVZ-S</b> steel rack, 4-module, cross-section 30 x 8 mm, length 1 m, screw-fitted on supports. Max. load capacity 800 kg.
	D571053 - <b>CVZ</b> steel rack, 4-module, cross-section 30 x 12 mm, length 1 m, screw-fitted on supports. Max. load capacity 1000 kg.		D571054 - <b>CFZ</b> galvanized steel rack, 4-module, cross-section 22 x 22 mm, length 2 m, welding. Max. load capacity 2000 kg.
	N999156 - <b>SFI</b> Base plate for ARES and ICARO (supplied with operator).		P125035 - <b>SL BAT2</b> Emergency battery kit for Deimos BT A, Ares BT A, Deimos Ultra BT A, Ares Ultra BT A.
	P125018 - <b>THEKE B PRA 01</b> Metal protection box for ARES and ICARO series sliding operators.		

