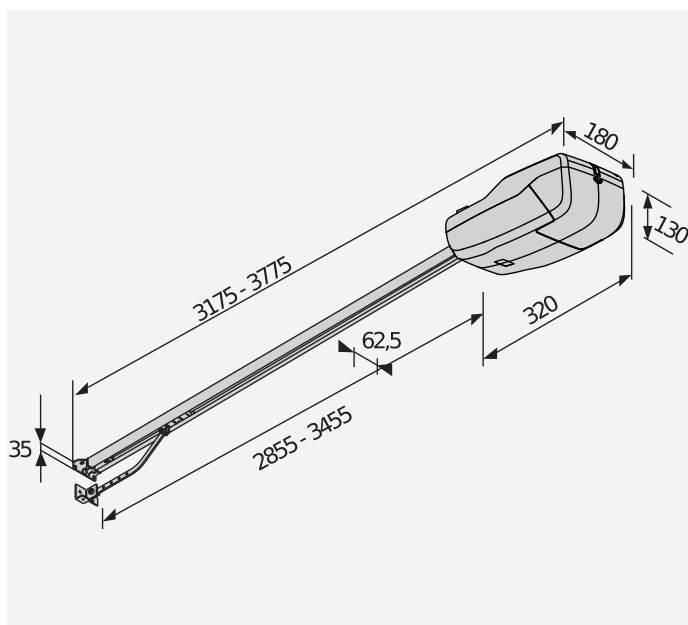


Just 13 cm thick, the TIZIANO is one of the most compact operators on the market and can be installed in any architectural context.

With the radio receiver incorporated in the control unit, the TIZIANO can store the codes of as many as 10 MITTO or KLEIO series remote controls and/or wireless control systems such as RB or T-BOX.

## DIMENSION (MM)



## Technical features

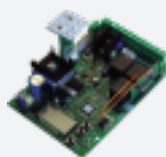
	<b>TIZIANO B GDA 260 S01</b>
Control unit	VENERE B GDA
Nominal voltage	24 V
Power input	100 W
Max. door/gate weight	60 kg
Door surface area	10 m <sup>2</sup>
Gate speed	6.6 m/min
Type of limit switch	Encoder
Slowdown	Yes
Locking	Mechanical
Release	Cord or steel cable
Impact reaction	D-Track
Frequency of use	Semi intensive
Protection rating	IPX0
Environmental conditions	-20 ÷ 60 °C



		Description
P915199 00002	TIZIANO B GDA 260 S01	Operator for sectional garage doors with tractive force 60 kg and Semi intensive use. Door surface area 10 m <sup>2</sup> . Opening speed 6.6 m/min. D-Track.

### VENERE M B GDA: Control panel for one 24V operator for garage doors.

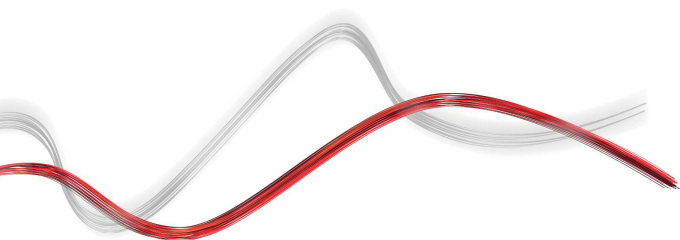
#### OPAVENERE\_M\_B\_GDA - VENERE M B GDA - Built-In



- Control panel for one 24V operator for garage doors
- Application: control unit for 1 24V garage door operator
- Board power supply: 230V single-phase
- Operator power supply: 24V 100W
- Main features: dip-switch programming and potentiometers, incorporated dual channel receiver, D-Track anti-crushing system, slowdown during opening and closing
- Main functions: automatic re-closing, automatic torque control

## RECOMMENDED ACCESSORIES

	P115015 00001 - <b>BIN B GDA 3020 CAT</b> Chain rail for TIZIANO B GDA, length 3020 mm, useful travel 2560 mm.		P115015 00002 - <b>BIN B GDA 3620 CAT</b> Chain rail for TIZIANO B GDA, length 3620 mm, useful travel 3160 mm.
	P115015 00003 - <b>BIN B GDA 2x1510 Cat</b> Chain track divided into two halves for TIZIANO B GDA, length 3020 mm, useful travel 2560 mm.		P115015 00004 - <b>BIN B GDA 2x1810 Cat</b> Chain track divided into two halves for TIZIANO B GDA, length 3620 mm, useful travel 3160 mm.
	P115026 00001 - <b>BIN B GDA 3020 BELT</b> Monoblock belt rail, length 3020 mm, useful length 2560 mm.		P115026 00002 - <b>BIN B GDA 3620 BELT</b> Monoblock belt rail, length 3620 mm, useful length 3160 mm.
	P115026 00003 - <b>BIN B GDA 2x1510 CINGHIA</b> Two-piece monoblock belt rail, length 3020 mm, useful length 2560 mm.		P115026 00004 - <b>BIN B GDA 2x1810 CINGHIA</b> Two-piece monoblock belt rail, length 3620 mm, useful length 3160 mm.
	N999620 - <b>SAS1 KIT B GDA 260 B01</b> Brackets for ceiling mounting TIZIANO B GDA up to max 30 cm.		N999621 - <b>SAS2 KIT B GDA 260 B01</b> Brackets for ceiling mounting TIZIANO B GDA up to max 50 cm.
	P115005 - <b>SM1</b> External manual release for overhead garage door (1 operator).		N733069 - <b>SET/S</b> External release for insulated sectional and overhead doors of thickness up to 50 mm.



[www.bft-automation.com](http://www.bft-automation.com)