



24V electromechanical operator for sectional garage doors installable in residential, industrial and commercial environments.

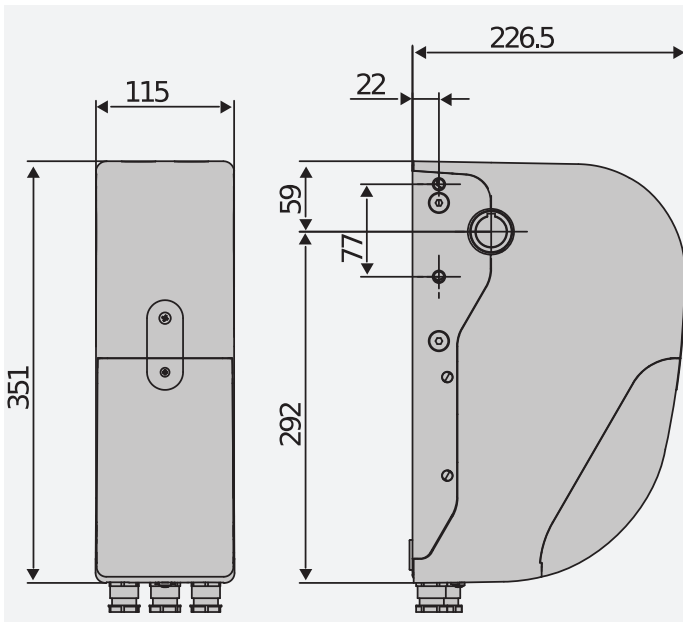
The sturdy mechanical structure and microprocessor technology of the control unit allow intensive use of the operator, while ensuring maximum reliability over time.

Also, the D-Track torque control system and absolute encoder ensure extremely precise control of leaf movement and obstacle detection.

The sturdy mechanical structure and the microprocessor technology of the control unit allow intensive use of the operator, ensuring reliability and long life.

The D-Track torque control system together with the absolute encoder ensure maximum precision in the control of leaf movement and the detection of obstacles.

DIMENSION (MM)



Technical features

	ARGO	ARGO G	ARGO	ARGO G
Control unit	VENERE D ARGO	VENERE D ARGO G	Nominal voltage	24 V
24 V	Power input	240 W	240 W	Type of limit switch
Absolute encoder	Absolute encoder	Door surface area	20 m ²	35 m ²
Slowdown	Yes	Yes	Locking	Mechanical
Mechanical	Release	Cord or steel cable	Steel cable	Impact reaction
D-Track	D-Track	Frequency of use	very intensive	very intensive
Protection rating	IP40		Environmental conditions	-15 ÷ 55 °C

		Description
P925202 00001	ARGO	Operator for sectional doors of surface area up to 20 m ² and very intensive use. Courtesy Light. Built-in courtesy light.
P925206 00002	ARGO G	Operator for sectional doors of surface area up to 35 m ² and very intensive use. Courtesy Light.
P925202 00001	ARGO	Operator for sectional doors of surface area up to 20 m ² and very intensive use. Courtesy Light. Built-in courtesy light.
P925206 00002	ARGO G	Operator for sectional doors of surface area up to 35 m ² and very intensive use. Courtesy Light.

VENERE D ARGO: Control panel for one 24V operator for garage doors.

OPAVENERE_D_ARGO - VENERE D ARGO - Built-In






- Control panel for one 24V operator for garage doors
- Application: control unit for 1 24V garage door operator
- Board power supply: 230V single-phase
- Operator power supply: 24V
- Main features: programming with display, incorporated dual channel receiver, D-Track anti-crushing system, slowdown during opening and closing
- Main functions: automatic re-closing, automatic torque control

RECOMMENDED ACCESSORIES

<p>N733148 - COR 30</p> <p>Z30 gear kit complete with accessories for industrial sectional doors, for 1" (25.4 mm) shafts.</p>	<p>N733149 - COR 40</p> <p>Z40 gear kit complete with accessories for industrial sectional doors, for 1" (25.4 mm) shafts.</p>
<p>N733338 - PIG 12/ULISSE S</p> <p>Z12 pinion gear for industrial sectional doors, for 1" (25.4 mm) shafts.</p>	<p>N733336 - PIG 14/ULISSE S</p> <p>Z14 pinion gear for industrial sectional doors, for 1" (25.4 mm) shafts.</p>
<p>N733339 - PIG 18/ULISSE S</p> <p>Z18 pinion gear for industrial sectional doors, for 1" (25.4 mm) shafts.</p>	<p>N733337 - PIG 30/ULISSE S</p> <p>Z30 pinion gear for industrial sectional doors, for 1" (25.4 mm) shafts.</p>
<p>N733421 - RCA</p> <p>Lever release for ARGO with steel cable, length 3.5 m.</p>	<p>N733422 - RCAL</p> <p>Lever release for ARGO with steel cable, length 7 m.</p>
<p>N574039 - BOX</p> <p>Wall-mounted safe for steel cable release and electric control.</p>	<p>P125005 - BT BAT</p> <p>Set of backup batteries for LIBRA C MA, LIBRA C LX, HYDRA N, ARGO.</p>



RECOMMENDED ACCESSORIES

	N999592 - CKK Pack of mounting tabs for ARGO and ARGO G.		OPAVENERE_D_ARGO - VENERE D ARGO Control panel for one 24V operator for garage doors.
	P111407 - FALCON Industrial presence sensor installable up to 7 m.		

