

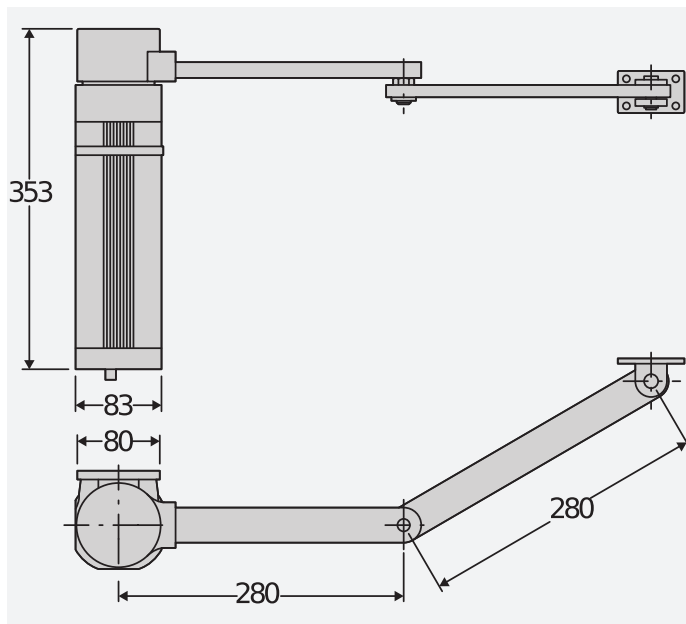


ee link  
er ready



. 1.8 200

### DIMENSION (MM)



### Technical features

	E5	E5 120
	ALCOR N	
Motor voltage	230 V	120 V
Max. width of door/gate wing	1.8 m	1.8 m
Max. weight of door/gate wing	200 kg	200 kg
Max. opening angle	130 °	130 °
Opening time	22 s	22 s
Max. wind speed	15 km/h	15 km/h
Max. wind force	350 N	350 N
Max. wind pressure	100 Pa	100 Pa
Max. temperature range	-10 ÷ 60 °C	-10 ÷ 60 °C
	IP44	
	-10 ÷ 60 °C	



		□□□□□□
<b>P930003 00001</b>	<b>E5</b>	. ' 1.8 □□ □□□□□□ kg 200 □□ □□□□□ □□□□□□ □□□□□ □□□□□ V 230 □□□□□□□□□□ □□□□□□ . □□□□□ □□□□□ □□□□□ □□□□□
<b>P930003 00002</b>	<b>E5 120</b>	. ' 1.8 □□ □□□□□□ kg 200 □□ □□□□□ □□□□□□ □□□□□ □□□□□ V 120 □□□□□□□□□□ □□□□□□ . □□□□□ □□□□□ □□□□□ □□□□□

**ALCOR N: Control panel with dip switches and potentiometers for one or two 230V/300W operators for swing gates.**

**D113706 00002 - ALCOR N** □□□□□□ -



- Control panel with dip switches and potentiometers for one or two 230V/300W operators for swing gates
- Compatibility: ALCOR SD
- Application: control panel for one or two swing gate operators
- Board power supply: 230V single-phase
- Operators power supply: 230V single-phase 300W max each operator
- Main features: removable terminal blocks, settings controlled by potentiometers, fault signalling LEDs and incorporated dual channel receiver
- Main functions: stays locked when closed, 3/4 step logic, partial opening, separate opening/closing

	<b>D113680 00002 - ALPHA SD</b> Universal control panel with potentiometers for one 230V/500W single-phase operator.		<b>D113833 00002 - RIGEL 6 220-230V 50/60HZ</b> □□□□□□ □□□□□ □□□□□□ □□ □□□□□□□□□□ □□□□□ □□□□ .600+600W - 230V , □□□□□□ □□ □□□□
	<b>N733008 - BL E5</b> Long articulated arm for E5, max leaf length 2 □', max leaf weight 200 kg.		<b>N728011 - BS E5</b> Slide lever for E5. Increases maximum opening angle to 180 °, max leaf length 1.6 □', max leaf weight 100 kg.

