



Be ahead

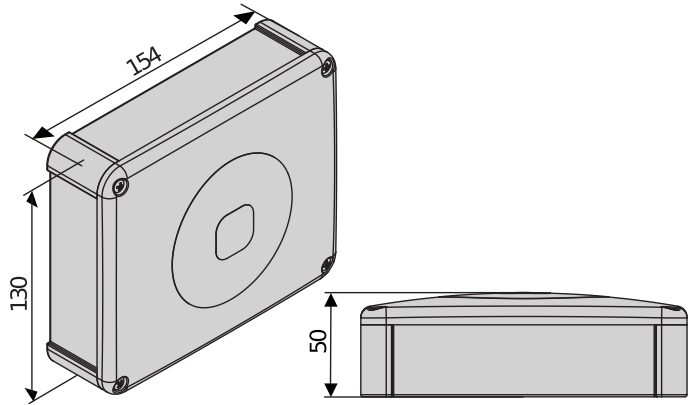


PASSY





Access control systems and hands-free devices



Innovative hands-free system for the automatic management of entries/exits based simply on proximity to an antenna. Passy is reliable and safe and is the ideal system for situations where even the simple pressing of a remote control button can be inconvenient or dangerous, such as motor cycle access points, forklift truck entries/exits or truck loading ramps.

Relevant features



Possibility of adjusting antenna triggering zone range.



Can be combined with COMPASS access control system via the RTD CA 2048 receiver.



Transponder with button for manual control of automation.

RECOMMENDED ACCESSORIES



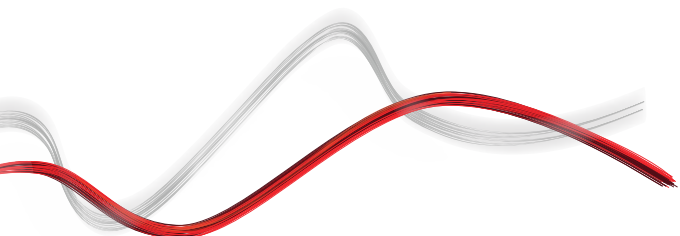
Cp D113674 00001 - **Ci** 2600578
CLONIX 2E

External two-channel 433 MHz rolling code receiver. 128 position memory. 24 Vpower supply.



P111465 - Ci 2611260
PROXIMA BLUE

Universal handheld programmer for control units, receivers and remote controls with BLUETOOTH technology

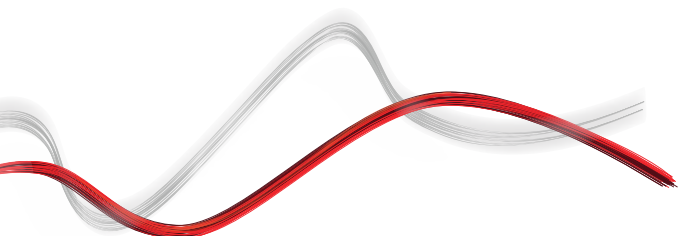




Access control systems and hands-free devices

RECOMMENDED ACCESSORIES

	<p>Cp D113671 00002 - Ci 2600577 RTD CA 2048</p> <p>Four-channel rolling code receiver with 2048 codes and built-in programming display. Usable with COMPASS</p>		<p>Cp D113807 00002 - Ci 2600587 CLONIX 2E AC U-LINK 230</p> <p>433 MHz external receiver, compatible with U-LINK protocol (features 3 connection ports). 230 V Power supply, can store up to 2,048 remote controls</p>
	<p>Cp D113808 00003 - Ci 2607512 CLONIX UNI AC U-LINK 230V</p> <p>433 MHz external receiver via 3 outputs: 2 with NO contact and one with configurable NO/NC contact. Compatible with U-LINK protocol (features 3 connection ports). Power supply, 230 V, can store up to 2,048 remote controls</p>		





Access control systems and hands-free devices

EasyAXS

EASY CONNECT. EASY ACCESS.



The new connectivity solution which boosts the potential of BFT products and services to make access automations smarter and easier to use for both installers and end users.

1



EASY TO CONNECT



PLUG&PLAY
CONNECTIVITY MODULE
FOR QUICKLY CONNECTING
BFT SOLUTIONS



2

EASY TO SET UP



CONFIGURATION
AND
MANAGEMENT OF
THE MOTOR WITH
THE **EasyAXS app**

3

EASY TO CONTROL



TaHoma app
TO PROVIDE CUSTOMERS
WITH A SMART SOLUTION
FOR ACCESSING THEIR
HOMES





Access control systems and hands-free devices

EASY TO CONNECT

WIFI MODULE



→ 10/15 metres

WIFI MODULE + ANTENNA



→ 20/25 metres

MOBILE MODULE + ANTENNA + SIM



→ ∞



**PLUG&PLAY
INSTALLATION**



**ALWAYS
CONNECTED**



**EVEN MORE
CONNECTIVITY**



**EASY TO SET UP
FOR INSTALLERS**



**EASY TO CONTROL
FOR CUSTOMERS**





Access control systems and hands-free devices



U-LINK 2.0

AN UPDATED VERSION OF
U-LINK TO GIVE YOU EVEN
MORE FUNCTIONALITY



Scalable

You can add as many devices as you want



Intuitive

Easy to install and to use



Functional

Settings can be controlled and firmware updated remotely using dedicated applications



Practical

Works with or without an internet connection



Flexible

It allows you to create groups of interconnected products

U-Link, the exclusive **BFT** technology platform has evolved to offer improved interaction with the latest generation of technological ecosystems. Its ability to interface with all home access automation access devices has been expanded, meaning it is now a very useful tool for installers. It is also a faster communication protocol with increased security for communicating information.

It allows you to save even more time, checking everything very easily and giving you even more peace of mind.



Access control systems and hands-free devices

U-SECURITY

A NEW AND EVEN MORE SECURE RADIO PROTOCOL



Secure

By transmitting data protected by a cryptographic key

U-Security is the new technology from **BFT** which incorporates encrypted rolling code thanks to the encryption key which masks the remote control code, meaning that it is impossible to clone a BFT remote control using another brand's model.

The functions of the **Er Ready** system are incorporated and a new procedure is also available for programming remote controls by scanning a QR CODE and using a special app. All products featuring this technology are **REPLAY**, so they can transmit the code to another BFT remote control using a combination of keys.



Easy

Pairing a remote control with a receiver can be done easily by scanning the QR code and using the dedicated app



Universal

The radio protocol is also compatible with the previous generation of receivers



INFORMATION REGARDING THE PROTECTION OF THE INDUSTRIAL AND INTELLECTUAL PROPERTY RIGHTS OF BFT. BFT S.p.A. protects its industrial property by depositing trademarks, patents, models and designs. The intellectual property of BFT S.p.A. is protected by copyright law. BFT S.p.A. also protects its know-how by taking measures to protect the technical and commercial information inherent in its company and products. All the products in this catalogue are ORIGINAL BFT MODELS and only BFT S.p.A. is authorised to produce them and market them anywhere in the world. All the commercial names in this catalogue are owned by BFT S.p.A., and only BFT S.p.A. is authorised to use them in relation to the corresponding merchandise category. **FALSIFIERS WILL BE PROCEEDED AGAINST IN ACCORDANCE WITH BOTH CIVIL AND CRIMINAL LAW. THESE CONDITIONS NOT ONLY GUARANTEE THE INTELLECTUAL PROPERTY RIGHTS OF BFT, BUT ALSO PROTECT CUSTOMERS BY GUARANTEEING THAT THE PRODUCTS THEY ARE PURCHASING ARE ORIGINAL BFT PRODUCTS RESULTING FROM STUDIES AND DESIGNS WITHIN THE BFT COMPANY.**