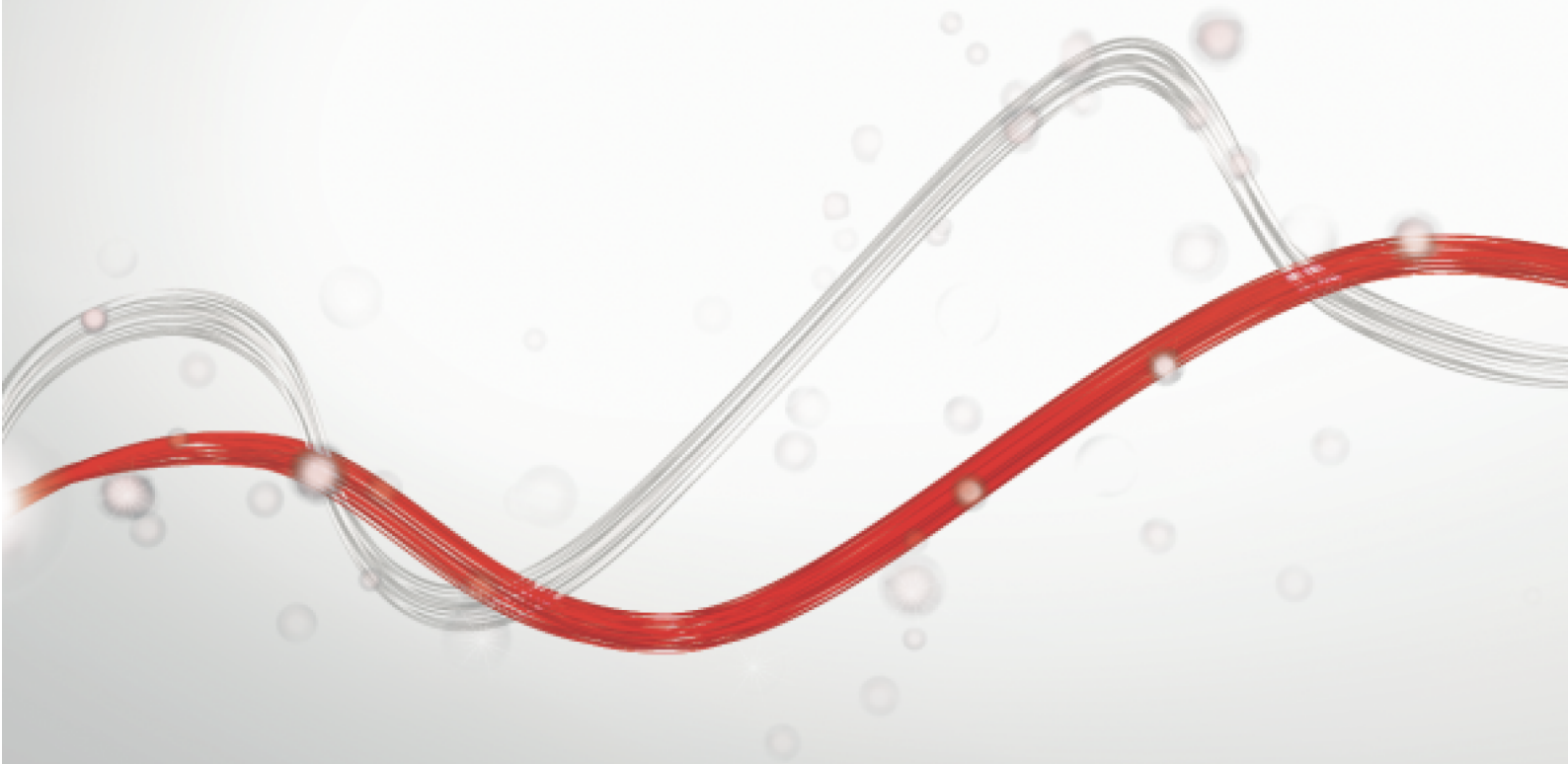




Be ahead

# RANCH C

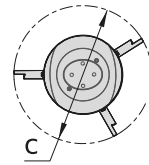
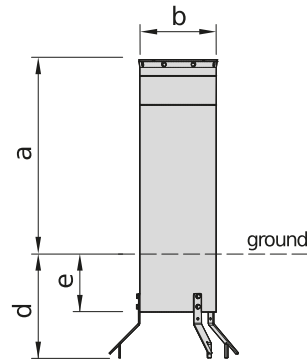




# RANCH C

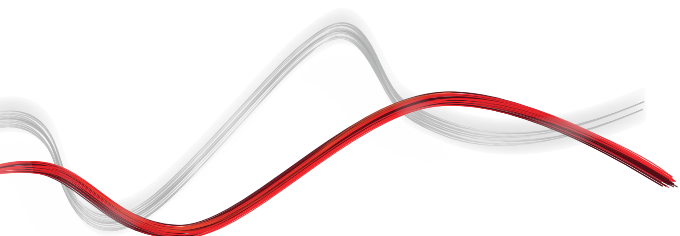


## Parking and traffic bollards



	a	b	c	d	e	f	g	h
RANCH C 275/600CN L	600	Ø273	Ø500	360	198	470	470	25
RANCH C 275/800CN L	800	Ø273	Ø500	360	198	470	470	25

Fixed bollard, diameter 273 mm, used for long-term access prevention. Can be combined with automatic or semi-automatic bollards.





# RANCH C




## Parking and traffic bollards

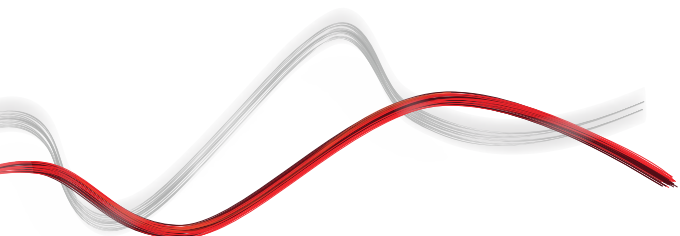
### RANCH C

Code	Ci	Name	Description
P970102 00002	2605601	RANCH C 275/600CN L	Fixed bollard used for preventing access for long periods. Height 600 mm and diameter 273 mm. Version with lights and shaft in RAL 7015 painted steel. Flange not included. High breakage resistance.
P970102 00004	2613168	RANCH C 275/600CN LI	Fixed bollard used for long-term access prevention. Height 600 mm and diameter 273 mm. Version with lights and shaft in AISI 304 stainless steel. Flange not included. High breakage resistance.
P970103 00002	2605603	RANCH C 275/800CN L	Fixed bollard used for preventing access for long periods. Height 800 mm and diameter 273 mm. Version with lights and shaft in RAL 7015 painted steel. Flange not included. High breakage resistance.
P970103 00004	2605604	RANCH C 275/800CN LI	Fixed bollard used for long-term access prevention. Height 800 mm and diameter 273 mm. Version with lights and shaft in AISI 304 stainless steel. Flange not included. High breakage resistance.

	RANCH C 275/600CN L	RANCH C 275/600CN LI	RANCH C 275/800CN L	RANCH C 275/800CN LI
Rod height	600 mm	600 mm	800 mm	800 mm
Rod diameter	273 mm	273 mm	273 mm	273 mm
Rod thickness	6 mm	6 mm	6 mm	6 mm
Impact resistance	20000 J	20000 J	20000 J	20000 J
Break-in proof	250000 J	250000 J	250000 J	250000 J
Rod treatment	RAL 7015 cataphoresis coating and paint	AISI 304 stainless steel	RAL 7015 cataphoresis coating and paint	AISI 304 stainless steel

### RECOMMENDED ACCESSORIES

	<b>Cp</b> P800109 - <b>Ci</b> 2605287 <b>FLANGE RANCH C</b>				
	Flange for Ranch C				





Parking and traffic bollards

# EasyAXS

EASY CONNECT. EASY ACCESS.



The new connectivity solution which boosts the potential of BFT products and services to make access automations smarter and easier to use for both installers and end users.

1



## EASY TO CONNECT



**PLUG&PLAY**  
CONNECTIVITY MODULE  
FOR QUICKLY CONNECTING  
BFT SOLUTIONS



2

## EASY TO SET UP



CONFIGURATION  
AND  
MANAGEMENT OF  
THE MOTOR WITH  
THE **EasyAXS app**

3

## EASY TO CONTROL



**TaHoma app**  
TO PROVIDE CUSTOMERS  
WITH A SMART SOLUTION  
FOR ACCESSING THEIR  
HOMES





## Parking and traffic bollards

### EASY TO CONNECT

#### WIFI MODULE



→ 10/15 metres

#### WIFI MODULE + ANTENNA



→ 20/25 metres

#### MOBILE MODULE + ANTENNA + SIM



→ ∞



**PLUG&PLAY  
INSTALLATION**



**ALWAYS  
CONNECTED**



**EVEN MORE  
CONNECTIVITY**



**EASY TO SET UP  
FOR INSTALLERS**



**EASY TO CONTROL  
FOR CUSTOMERS**





Parking and traffic bollards



# U-LINK 2.0

## AN UPDATED VERSION OF **U-LINK** TO GIVE YOU EVEN MORE FUNCTIONALITY



### Scalable

You can add as many devices as you want



### Intuitive

Easy to install and to use



### Functional

Settings can be controlled and firmware updated remotely using dedicated applications



### Practical

Works with or without an internet connection



### Flexible

It allows you to create groups of interconnected products

**U-Link**, the exclusive **BFT** technology platform has evolved to offer improved interaction with the latest generation of technological ecosystems. Its ability to interface with all home access automation access devices has been expanded, meaning it is now a very useful tool for installers. It is also a faster communication protocol with increased security for communicating information.

It allows you to save even more time, checking everything very easily and giving you even more peace of mind.



Parking and traffic bollards

# **-SECURITY**

## A NEW AND EVEN MORE SECURE RADIO PROTOCOL



### → **Secure**

By transmitting data protected by a cryptographic key

**U-Security** is the new technology from **BFT** which incorporates encrypted rolling code thanks to the encryption key which masks the remote control code, meaning that it is impossible to clone a BFT remote control using another brand's model.

The functions of the **Er Ready** system are incorporated and a new procedure is also available for programming remote controls by scanning a QR CODE and using a special app. All products featuring this technology are **REPLAY**, so they can transmit the code to another BFT remote control using a combination of keys.



### → **Easy**

Pairing a remote control with a receiver can be done easily by scanning the QR code and using the dedicated app



### → **Universal**

The radio protocol is also compatible with the previous generation of receivers



INFORMATION REGARDING THE PROTECTION OF THE INDUSTRIAL AND INTELLECTUAL PROPERTY RIGHTS OF BFT. BFT S.p.A. protects its industrial property by depositing trademarks, patents, models and designs. The intellectual property of BFT S.p.A. is protected by copyright law. BFT S.p.A. also protects its know-how by taking measures to protect the technical and commercial information inherent in its company and products. All the products in this catalogue are ORIGINAL BFT MODELS and only BFT S.p.A. is authorised to produce them and market them anywhere in the world. All the commercial names in this catalogue are owned by BFT S.p.A., and only BFT S.p.A. is authorised to use them in relation to the corresponding merchandise category. FALSIFIERS WILL BE PROCEEDED AGAINST IN ACCORDANCE WITH BOTH CIVIL AND CRIMINAL LAW. THESE CONDITIONS NOT ONLY GUARANTEE THE INTELLECTUAL PROPERTY RIGHTS OF BFT, BUT ALSO PROTECT CUSTOMERS BY GUARANTEEING THAT THE PRODUCTS THEY ARE PURCHASING ARE ORIGINAL BFT PRODUCTS RESULTING FROM STUDIES AND DESIGNS WITHIN THE BFT COMPANY.