



Be ahead

GIOTTO BT A





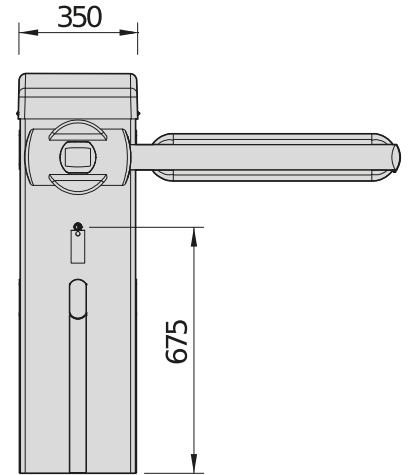
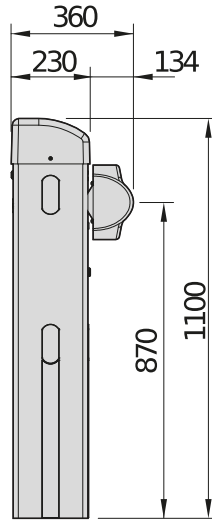
GIOTTO BT A



Road barriers



Empowered by
U-LINK



Range of barriers for intensive and very intensive use, able to manage useful passages up to 6 m. Integrated control unit with U-Link connectivity. Available in 24V versions, they have a wide range of accessories making them ideal in any context.

Relevant features



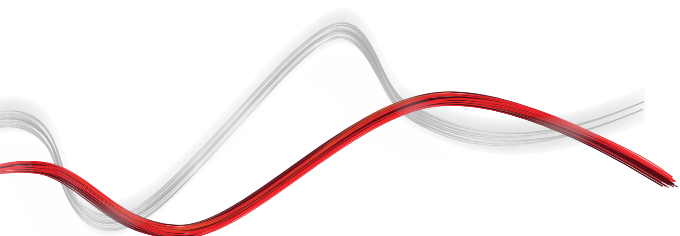
Backup battery power supply system, installable on-board unit.



Limit switch system with electronic adjustment that speeds up installation and ensures maximum precision in movement.



Control unit located in an easily accessible position and separate from the mechanical part





GIOTTO BT A



Road barriers



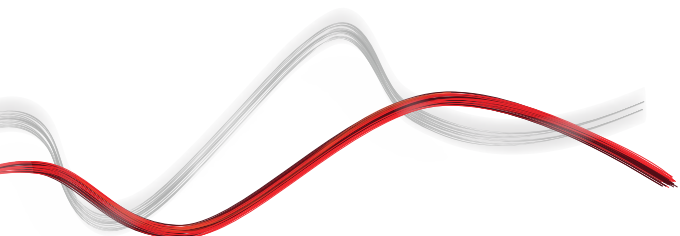
GIOTTO BT A

Code	Ci	Name	Description	
P940078 00002	2600875	GIOTTO BT A 30 U 230V50	Barrier with 24 V motor for opening up to 3,0 m wide and opening time 4 s. Impact resistance by means of encoder. Grey RAL 7015 Control unit with Ulink, display and receiver in head.	U-Link
P940080 00002	2600876	GIOTTO BT A 60 U 230V50	Barrier with 24 V motor for opening up to 6 m wide and opening time 5 s. Impact resistance by means of encoder. Grey RAL 7015 Control unit with Ulink, display and receiver in head.	U-Link

	GIOTTO BT A 30 U 230V50	GIOTTO BT A 60 U 230V50
Opening time (depending on the width of the leaf)	4 s	5 s
Clear opening	3,0 m	6 m
Motor power supply	24 V	24 V
Control unit	MERAK BG	MERAK BG
Slowdown	Yes	Yes
Impact reaction	encoder	encoder
Locking	Mechanical	Mechanical
Release	Personal key	Personal key
Frequency of use	intensive	intensive
Processing type	RAL7015 cataphoresis coating and paint	RAL7015 cataphoresis coating and paint
Environmental conditions	-20/(-40 with THERMO heater) ÷ 55 °C	-20/(-40 with THERMO heater) ÷ 55 °C
Protection rating	IP54	IP54

VITAL ACCESSORIES

Cp N728033 - Ci 2600538 AQ3	Complete 3 metre rectangular boom for GIOTTO and MOOVI	Cp N728034 - Ci 2600782 AQ5	Complete 5 metre rectangular boom for GIOTTO and MOOVI
Cp N999507 - Ci 2600539 OMEGA AQ	Pack of accessories for installation of 3/5 m rectangular boom for MOOVI/GIOTTO	Cp N728031 - Ci 2600781 AT3	Complete 3 metre round boom for MOOVI/GIOTTO
Cp N728032 - Ci 2600495 AT5	Complete 5 metre round boom for MOOVI/GIOTTO	Cp N728038 - Ci 2600492 AT6	Complete 6 metre round boom for MOOVI/GIOTTO
Cp N999513 - Ci 2600796 OMEGA AT	Pack of accessories for installation of 3/5 m round boom for MOOVI/GIOTTO	Cp P120028 00001 - Ci 2600953 PCA N3	Top and bottom rubber cover profile for booms of 3 m max.





Road barriers

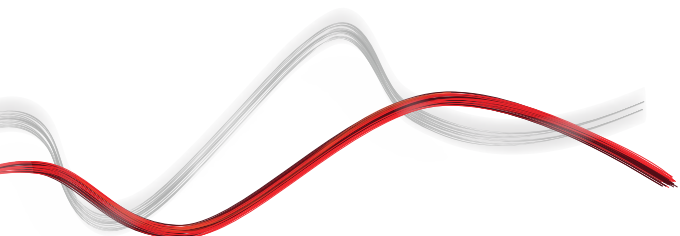


VITAL ACCESSORIES

	Cp P120028 00004 - Ci 2600826 PCA N6				
	Top and bottom rubber cover profile for booms of 6 m max.				

RECOMMENDED ACCESSORIES

	Cp P120023 - Ci 2600216 FAF 2		Cp N728051 - Ci 2600128 ART 90 Q
	Rest fork for booms. For bolting to ground.		90 ° articulated joint for Moovi and Giotto booms. Max 4m clear passage.
	Cp D573003 - Ci 2600129 SB		Cp P120001 00001 - Ci 2600135 KIT LIGHT
	Aluminium skirt for road barrier booms. Price per linear metre (Calculate length of useful passage minus 40cm)		Lights on boom 3 - 4,5 m
	Cp P120001 00002 - Ci 2600230 KIT LIGHT1		Cp D940009 - Ci 2600134 GAMA AQ AT
	Lights for booms over 4,5 m		Dampened movable support leg for AQ or AT booms (on MOOVI, MICHELANGELO and GIOTTO barriers) -
	Cp N190104 - Ci 2600775 BIR C		Cp P111401 00001 - Ci 2600207 VENTIMIGLIA NS
	Rubber safety edge (H 30 mm), price per m		Infrared device for BIR C or BAR C safety edges (conforms to EN 12978 Standard)





Road barriers



Empowered by
U-LINK

EasyAXS

EASY CONNECT. EASY ACCESS.



The new connectivity solution which boosts the potential of BFT products and services to make access automations smarter and easier to use for both installers and end users.

1



EASY TO CONNECT



PLUG&PLAY
CONNECTIVITY MODULE
FOR QUICKLY CONNECTING
BFT SOLUTIONS



2

EASY TO SET UP



CONFIGURATION
AND
MANAGEMENT OF
THE MOTOR WITH
THE **EasyAXS app**



3

EASY TO CONTROL



TaHoma app
TO PROVIDE CUSTOMERS
WITH A SMART SOLUTION
FOR ACCESSING THEIR
HOMES





GIOTTO BT A



Road barriers



EASY TO CONNECT

WIFI MODULE



→ 10/15 metres

WIFI MODULE + ANTENNA



→ 20/25 metres

MOBILE MODULE + ANTENNA + SIM



→ ∞



**PLUG&PLAY
INSTALLATION**



**ALWAYS
CONNECTED**



**EVEN MORE
CONNECTIVITY**



**EASY TO SET UP
FOR INSTALLERS**



**EASY TO CONTROL
FOR CUSTOMERS**





Road barriers



Empowered by
U-LINK



U-LINK 2.0

AN UPDATED VERSION OF
U-LINK TO GIVE YOU EVEN
MORE FUNCTIONALITY



Scalable

You can add as many devices as you want



Intuitive

Easy to install and to use



Functional

Settings can be controlled and firmware updated remotely using dedicated applications



Practical

Works with or without an internet connection



Flexible

It allows you to create groups of interconnected products

U-Link, the exclusive **BFT** technology platform has evolved to offer improved interaction with the latest generation of technological ecosystems. Its ability to interface with all home access automation access devices has been expanded, meaning it is now a very useful tool for installers. It is also a faster communication protocol with increased security for communicating information.

It allows you to save even more time, checking everything very easily and giving you even more peace of mind.



Road barriers



Empowered by
U-LINK

U-SECURITY

A NEW AND EVEN MORE SECURE RADIO PROTOCOL



Secure

By transmitting data protected by a cryptographic key

U-Security is the new technology from **BFT** which incorporates encrypted rolling code thanks to the encryption key which masks the remote control code, meaning that it is impossible to clone a BFT remote control using another brand's model.

The functions of the **Er Ready** system are incorporated and a new procedure is also available for programming remote controls by scanning a QR CODE and using a special app. All products featuring this technology are **REPLAY**, so they can transmit the code to another BFT remote control using a combination of keys.



Easy

Pairing a remote control with a receiver can be done easily by scanning the QR code and using the dedicated app



Universal

The radio protocol is also compatible with the previous generation of receivers



INFORMATION REGARDING THE PROTECTION OF THE INDUSTRIAL AND INTELLECTUAL PROPERTY RIGHTS OF BFT. BFT S.p.A. protects its industrial property by depositing trademarks, patents, models and designs. The intellectual property of BFT S.p.A. is protected by copyright law. BFT S.p.A. also protects its know-how by taking measures to protect the technical and commercial information inherent in its company and products. All the products in this catalogue are ORIGINAL BFT MODELS and only BFT S.p.A. is authorised to produce them and market them anywhere in the world. All the commercial names in this catalogue are owned by BFT S.p.A., and only BFT S.p.A. is authorised to use them in relation to the corresponding merchandise category. FALSIFIERS WILL BE PROCEEDED AGAINST IN ACCORDANCE WITH BOTH CIVIL AND CRIMINAL LAW. THESE CONDITIONS NOT ONLY GUARANTEE THE INTELLECTUAL PROPERTY RIGHTS OF BFT, BUT ALSO PROTECT CUSTOMERS BY GUARANTEEING THAT THE PRODUCTS THEY ARE PURCHASING ARE ORIGINAL BFT PRODUCTS RESULTING FROM STUDIES AND DESIGNS WITHIN THE BFT COMPANY.