



Be ahead



# MICHELANGELO BT A

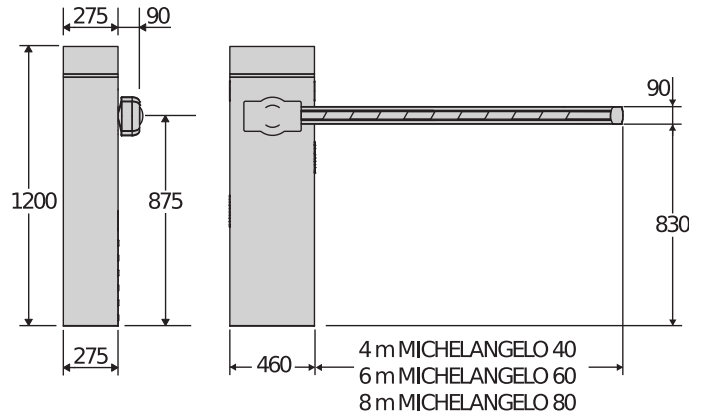
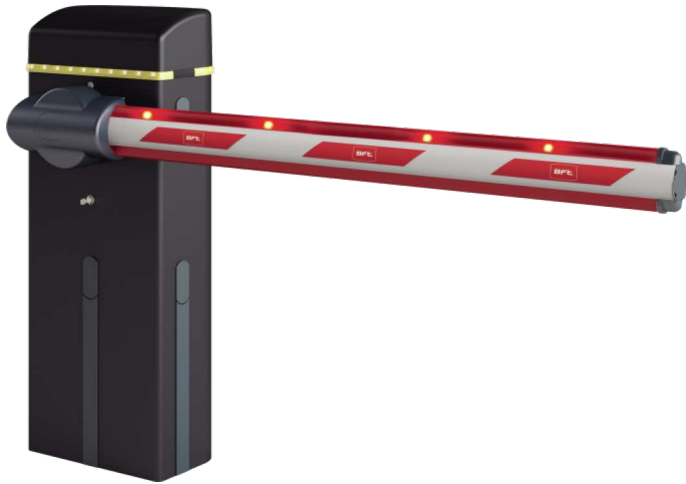




# MICHELANGELO BT A



## Road barriers



Range of barriers for very intensive use, for clear openings of up to 8 metres.

The wide range of accessories, incorporated flashing light and the arrangement for photocells make them ideal in any context

### Relevant features



New control board Merak BM with U-Link connectivity slot, programming display and two-channel radio receiver incorporated. Mounted in the upper part of the barrier for an easier and convenient access.



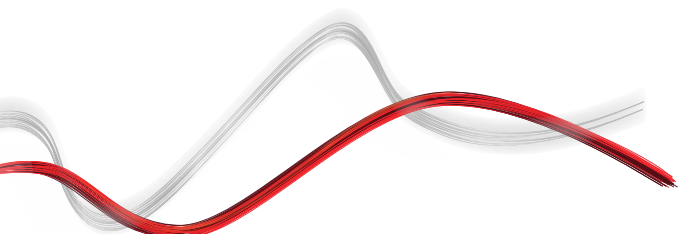
IP54 protection level and new design.



Limit switch system with electronic adjustment that speeds up installation and ensures maximum precision in movement.



Backup battery power supply system, installable on-board unit.





# MICHELANGELO BT A



## Road barriers



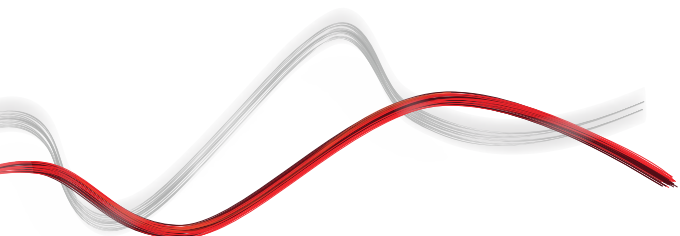
## MICHELANGELO BT A

Code	Ci	Name	Description	
P940076 00002	2600873	MICHELANGELO BT A 60 U	Barrier with 24 V power supply for opening up to 6 m wide and opening time 6 s. Impact reaction via encoder. Control unit with ULink slot, display and receiver in head. RAL 7015 grey colour Built-in warning light.	U-Link
P940076 00102	2600874	MICHELANGELO BT A 60 U RAL	Barrier with 24 V power supply for opening up to 6 m wide and opening time 6 s. Impact reaction via encoder. Control unit with ULink slot, display and receiver in head. RAL colour on request. Built-in warning light.	U-Link
P940077 00002	2600524	MICHELANGELO BT A 80 U	Barrier with 24 V power supply for opening up to 8 m wide and opening time 8 s. Impact reaction via encoder. Control unit with ULink slot, display and receiver in head. RAL 7015 grey colour Built-in warning light.	U-Link
P940077 00102	2614378	MICHELANGELO BT A 80 U RAL	Control unit with ULink slot, display and receiver in head. RAL colour on request Barrier with 24 V power supply for opening up to 8 m wide and opening time 8 s. Impact reaction via encoder. Built-in warning light.	U-Link

	MICHELANGELO BT A 60 U	MICHELANGELO BT A 60 U RAL	MICHELANGELO BT A 80 U	MICHELANGELO BT A 80 U RAL
Opening time (depending on the width of the leaf)	6 s	6 s	8 s	8 s
Clear opening	6 m	6 m	8 m	8 m
Motor power supply	24 V	24 V	24 V	24 V
Control unit	MERAK BM	MERAK BM	MERAK BM	MERAK BM
Slowdown	Yes	Yes	Yes	Yes
Impact reaction	encoder	encoder	encoder	encoder
Locking	Mechanical	Mechanical	Mechanical	Mechanical
Release	Key	Key	Key	Key
Frequency of use	intensive	intensive	intensive	intensive
Processing type	RAL7015 cataphoresis coating and paint	Special RAL cataphoresis coating and paint	RAL7015 cataphoresis coating and paint	Special RAL cataphoresis coating and paint
Environmental conditions	-20/(-40 with THERMO heater) ± 55 °C	-20/(-40 with THERMO heater) ± 55 °C	-20/(-40 with THERMO heater) ± 55 °C	-20/(-40 with THERMO heater) ± 55 °C
Protection rating	IP54	IP54	IP54	IP54

## VITAL ACCESSORIES

	<b>Cp</b> N728022 - <b>Ci</b> 2600778 <b>AQ6</b>		<b>Cp</b> N728026 - <b>Ci</b> 2600525 <b>AT 704</b>
	Complete 6 m rectangular boom for MICHELANGELO		Round boom ø 70 mm, length 4.3 m. for clear spaces up to 4 m ATT 704
	<b>Cp</b> N728030 - <b>Ci</b> 2600780 <b>AT 706</b>		<b>Cp</b> N728028 - <b>Ci</b> 2600779 <b>AT 502</b>
	Round boom diam. 70 mm length 6.35 m for MICHELANGELO. for openings up to 6 m		Second part of telescopic round boom for MICHELANGELO, diam. 50 mm, length 2.6 m.





## Road barriers

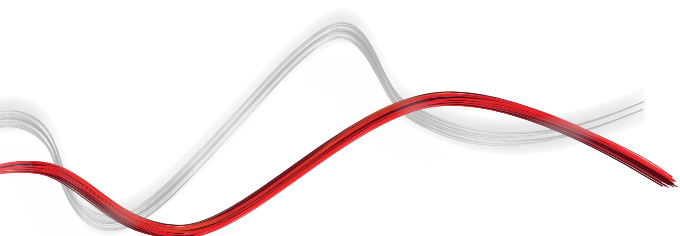


## VITAL ACCESSORIES

	<p><b>Cp N728027 - Ci 2600526</b> <b>AT 504</b></p> <p>Second part of telescopic round boom for MICHELANGELO, diam. 50 mm, length 4.6 m.</p>		<p><b>Cp N999606 - Ci 2600352</b> <b>OMEGA AQ 6</b></p> <p>Accessories pack for AQ 6 boom</p>
	<p><b>Cp N999607 - Ci 2600798</b> <b>OMEGA AT 70</b></p> <p>Accessories pack for AT 704/706</p>		<p><b>Cp P120028 00001 - Ci 2600953</b> <b>PCA N3</b></p> <p>Top and bottom rubber cover profile for booms of 3 m max.</p>
	<p><b>Cp P120028 00004 - Ci 2600826</b> <b>PCA N6</b></p> <p>Top and bottom rubber cover profile for booms of 6 m max.</p>		<p><b>Cp P120028 00005 - Ci 2601375</b> <b>PCA N8</b></p> <p>Top and bottom rubber cover profile for booms of 8 m max.</p>

## RECOMMENDED ACCESSORIES

	<p><b>Cp P120006 - Ci 2600823</b> <b>MCL LAMPO KIT</b></p> <p>Integrated flashing light. The MCL CARD KIT is needed for operation</p>		<p><b>Cp P120009 - Ci 2600824</b> <b>SCHEDA MCL KIT</b></p> <p>Control board for KIT MCL LIGHT and KIT MCL LAMPO</p>
	<p><b>Cp P120005 00001 - Ci 2600186</b> <b>MCL LIGHT KIT</b></p> <p>Light kit (6 lights) for boom. For use in conjunction with PCA. The MCL CARD KIT is necessary for operation</p>		<p><b>Cp D573003 - Ci 2600129</b> <b>SB</b></p> <p>Aluminium skirt for road barrier booms. Price per linear metre (Calculate length of useful passage minus 40cm)</p>
	<p><b>Cp P120023 - Ci 2600216</b> <b>FAF 2</b></p> <p>Rest fork for booms. For bolting to ground.</p>		<p><b>Cp D940009 - Ci 2600134</b> <b>GAMA AQ AT</b></p> <p>Dampened movable support leg for AQ or AT booms (on MOOVI, MICHELANGELO and GIOTTO barriers) -</p>
	<p><b>Cp N190104 - Ci 2600775</b> <b>BIR C</b></p> <p>Rubber safety edge (H 30 mm), price per m</p>		<p><b>Cp P111401 00001 - Ci 2600207</b> <b>VENTIMIGLIA NS</b></p> <p>Infrared device for BIR C or BAR C safety edges (conforms to EN 12978 Standard)</p>





Road barriers



# EasyAXS

EASY CONNECT. EASY ACCESS.



The new connectivity solution which boosts the potential of BFT products and services to make access automations smarter and easier to use for both installers and end users.



## 1 EASY TO CONNECT



**PLUG&PLAY**  
CONNECTIVITY MODULE  
FOR QUICKLY CONNECTING  
BFT SOLUTIONS



## 2 EASY TO SET UP



CONFIGURATION  
AND  
MANAGEMENT OF  
THE MOTOR WITH  
THE **EasyAXS app**

## 3 EASY TO CONTROL



**TaHoma app**  
TO PROVIDE CUSTOMERS  
WITH A SMART SOLUTION  
FOR ACCESSING THEIR  
HOMES





Road barriers



## EASY TO CONNECT

WIFI MODULE



→ 10/15 metres

WIFI MODULE + ANTENNA



→ 20/25 metres

MOBILE MODULE + ANTENNA + SIM



→ ∞



**PLUG&PLAY  
INSTALLATION**



**ALWAYS  
CONNECTED**



**EVEN MORE  
CONNECTIVITY**



**EASY TO SET UP  
FOR INSTALLERS**



**EASY TO CONTROL  
FOR CUSTOMERS**





Road barriers



# U-LINK 2.0

AN UPDATED VERSION OF  
**U-LINK** TO GIVE YOU EVEN  
MORE FUNCTIONALITY



## Scalable

You can add as many devices as you want



## Intuitive

Easy to install and to use



## Functional

Settings can be controlled and firmware updated remotely using dedicated applications



## Practical

Works with or without an internet connection



## Flexible

It allows you to create groups of interconnected products

**U-Link**, the exclusive **BFT** technology platform has evolved to offer improved interaction with the latest generation of technological ecosystems. Its ability to interface with all home access automation access devices has been expanded, meaning it is now a very useful tool for installers. It is also a faster communication protocol with increased security for communicating information.

It allows you to save even more time, checking everything very easily and giving you even more peace of mind.



Road barriers



Empowered by  
**U-LINK**

# **U-SECURITY**

## A NEW AND EVEN MORE SECURE RADIO PROTOCOL



### Secure

By transmitting data protected by a cryptographic key

**U-Security** is the new technology from **BFT** which incorporates encrypted rolling code thanks to the encryption key which masks the remote control code, meaning that it is impossible to clone a BFT remote control using another brand's model.

The functions of the **Er Ready** system are incorporated and a new procedure is also available for programming remote controls by scanning a QR CODE and using a special app. All products featuring this technology are **REPLAY**, so they can transmit the code to another BFT remote control using a combination of keys.



### Easy

Pairing a remote control with a receiver can be done easily by scanning the QR code and using the dedicated app



### Universal

The radio protocol is also compatible with the previous generation of receivers



