



Be ahead



ARGO BT A





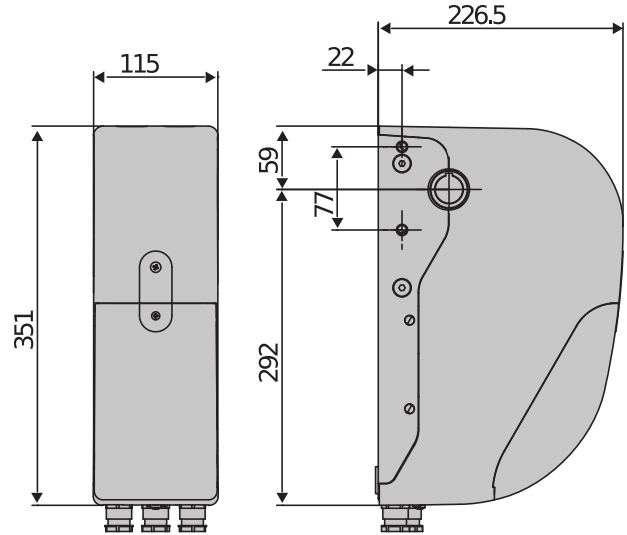
ARGO BT A



Automation systems for garage doors



Empowered by
U-LINK



24V electromechanical operator for sectional garage doors installable in residential, industrial and commercial environments. The sturdy mechanical structure and microprocessor technology of the control unit make it possible to use the operator intensively whilst ensuring maximum reliability over time. In addition, the D-Track torque control system and absolute encoder offer extremely precise control of leaf movement and detection of obstacles. Exclusive quick programming function of the limit switches from the ground, via remote control.

Relevant features



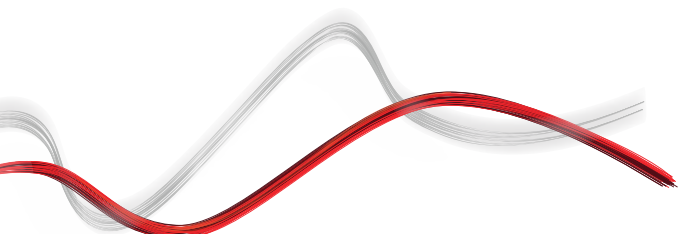
Limit switch based on absolute encoder technology, guaranteeing maximum reliability and stopping precision.



Exclusive encoder position reset knob for fast, safe installation.



Onboard control unit with programming display and D-Track management system and torque, speed and position control. Built-in dual-channel radio receiver. U-Link. Exclusive quick programming function for limit switch from the ground via remote control.





Automation systems for garage doors



ARGO BT A

Code	Ci	Name	Description	
P925258 00002	2611637	ARGO BT A 20	Operator for sectional doors with a surface area of up to 20 m ² and subject to very intensive use. Built-in courtesy light	U-Link
P925260 00002	2611642	ARGO BT A 35	Operator for sectional doors with a surface area of up to 35 m ² and subject to very intensive use. Built-in courtesy light	U-Link

	ARGO BT A 20	ARGO BT A 35
Control unit	VENERE BT A DIS ARGO	VENERE BT A DIS ARGO G
Nominal voltage	24 V	24 V
Power consumption	240 W	240 W
Type of limit switch	Absolute encoder	Absolute encoder
Door surface area	20 m ²	35 m ²
Slowdown	Yes	Yes
Locking	Mechanical	Mechanical
Release	Steel cord or cable	Steel cable
Impact reaction	D-Track	D-Track
Frequency of use	very intensive	very intensive
Protection rating	IP20	IP20
Environmental conditions	-15 ÷ 55 °C	-15 ÷ 55 °C

RECOMMENDED ACCESSORIES

	Cp D114093 00003 - Ci 2607539 RADIUS LED BT A R1 Flashing light with incorporated antenna for motors with 24 V power supply.		Cp P111782 - Ci 2601411 COMPACTA A20-180 Pair of photocells adjustable 180° horizontally. 20 metre range. 12-33 VAC/15-35 VDC power supply.
	Cp N733148 - Ci 2600920 COR 30 Z30 gear kit with accessories for industrial sectional doors, for 1" (25,4 mm) shafts		Cp N733339 - Ci 2600966 PIG 18/ULISSE 5 Z18 pinion gear for reduction on industrial sectional doors, for 1" (25,4 mm) shafts
	Cp N733421 - Ci 2600967 RCA Lever release with steel cable, length 3,5 m. Compatible with BOX.		Cp N733422 - Ci 2600457 RCAL Lever release with steel cable, length 7 m. Compatible with BOX.
	Cp P125005 - Ci 2600078 BT BAT Back-up battery kit for HYDRA N, ARGO, VENERE BT A DIS		Cp P111407 - Ci 2601360 FALCON Industrial presence sensor installable up to 7 m.



Automation systems for garage doors



Empowered by
U-LINK

EasyAXS

EASY CONNECT. EASY ACCESS.



The new connectivity solution which boosts the potential of BFT products and services to make access automations smarter and easier to use for both installers and end users.

1



EASY TO CONNECT



PLUG&PLAY
CONNECTIVITY MODULE
FOR QUICKLY CONNECTING
BFT SOLUTIONS



2

EASY TO SET UP



CONFIGURATION
AND
MANAGEMENT OF
THE MOTOR WITH
THE **EasyAXS app**

3

EASY TO CONTROL



TaHoma app
TO PROVIDE CUSTOMERS
WITH A SMART SOLUTION
FOR ACCESSING THEIR
HOMES





Automation systems for garage doors



EASY TO CONNECT

WIFI MODULE



→ 10/15 metres

WIFI MODULE
+ ANTENNA



→ 20/25 metres

MOBILE MODULE
+ ANTENNA + SIM



→ ∞



**PLUG&PLAY
INSTALLATION**



**ALWAYS
CONNECTED**



**EVEN MORE
CONNECTIVITY**



**EASY TO SET UP
FOR INSTALLERS**



**EASY TO CONTROL
FOR CUSTOMERS**





Automation systems for garage doors



Empowered by
U-LINK



U-LINK 2.0

AN UPDATED VERSION OF
U-LINK TO GIVE YOU EVEN
MORE FUNCTIONALITY



Scalable

You can add as many devices as you want



Intuitive

Easy to install and to use



Functional

Settings can be controlled and firmware updated remotely using dedicated applications



Practical

Works with or without an internet connection



Flexible

It allows you to create groups of interconnected products

U-Link, the exclusive **BFT** technology platform has evolved to offer improved interaction with the latest generation of technological ecosystems. Its ability to interface with all home access automation access devices has been expanded, meaning it is now a very useful tool for installers. It is also a faster communication protocol with increased security for communicating information.

It allows you to save even more time, checking everything very easily and giving you even more peace of mind.



Automation systems for garage doors

Empowered by
U-LINK

U-SECURITY

A NEW AND EVEN MORE SECURE RADIO PROTOCOL



- **Secure**
By transmitting data protected by a cryptographic key

U-Security is the new technology from **BFT** which incorporates encrypted rolling code thanks to the encryption key which masks the remote control code, meaning that it is impossible to clone a BFT remote control using another brand's model.

The functions of the **Er Ready** system are incorporated and a new procedure is also available for programming remote controls by scanning a QR CODE and using a special app. All products featuring this technology are **REPLAY**, so they can transmit the code to another BFT remote control using a combination of keys.



- **Easy**
Pairing a remote control with a receiver can be done easily by scanning the QR code and using the dedicated app



- **Universal**
The radio protocol is also compatible with the previous generation of receivers

