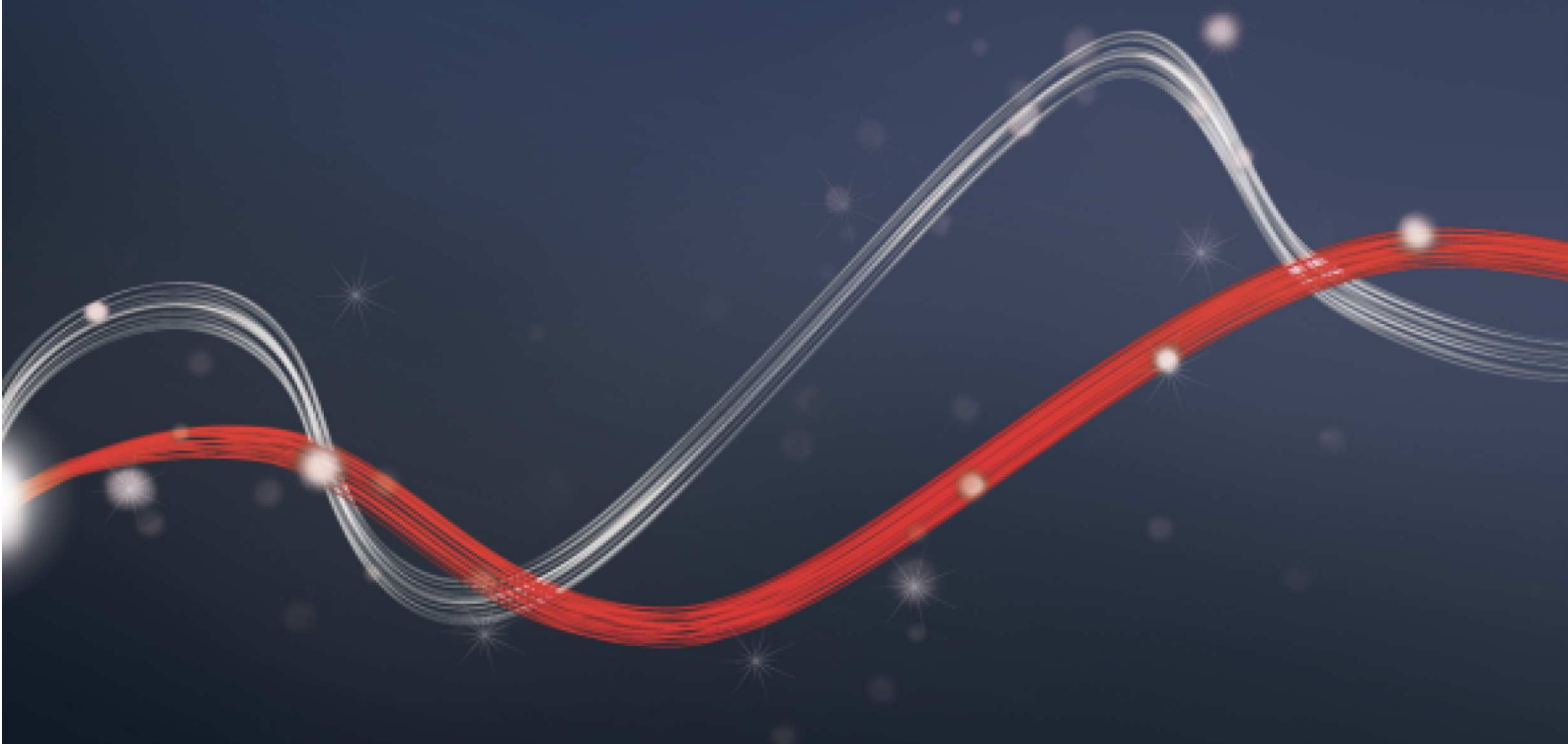




Be ahead

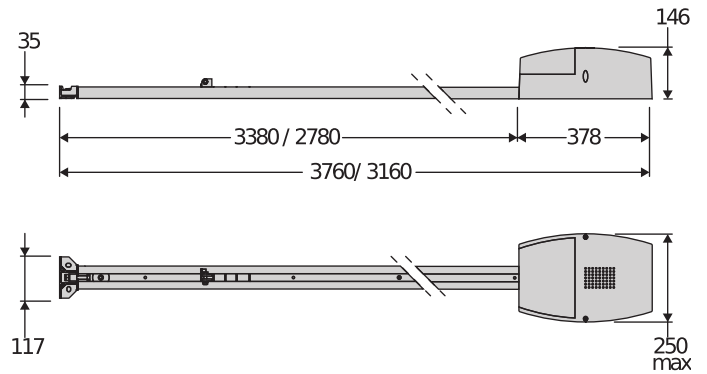


# BOTTICELLI / EOS120





## Automation systems for garage doors



Electromechanical operators for intensive/very intensive use, designed for the automation of sectional garage doors. Suitable for installation in any context, thanks to the wide choice of chain rails available in the various lengths. The control unit and limit switch with encoder with mechanical stop are incorporated in the operator and rail respectively.

### Relevant features



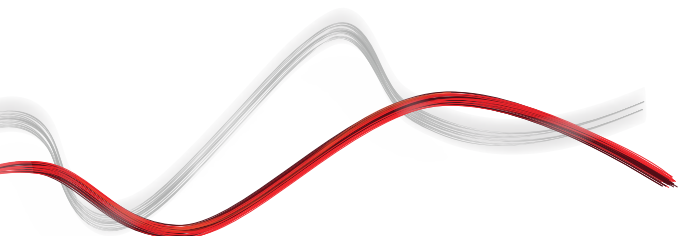
Built-in control unit with automatic learning of opening and closing force.



High-strength galvanised steel rail with ducts to facilitate the routing of the cables.



Encoder and exclusive D-Track force management system for safe installations in all conditions.





## Automation systems for garage doors



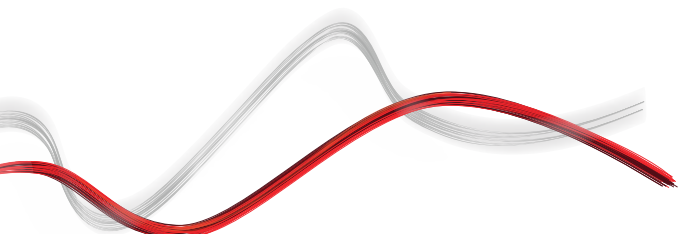
## BOTTICELLI / EOS120

Code	Ci	Name	Description	
P915194 00002	2603058	BOTTICELLI	24 V operator for sectional garage doors with tractive force 60 kg and intensive use. Max door surface area 10 m <sup>2</sup> . Opening speed 5 m/min. D-Track	
P915194 00007	2600028	BOTTICELLI 800 U	24 V operator for sectional garage doors with tractive force 80 kg and intensive use. Max door surface area 13 m <sup>2</sup> . Opening speed 5 m/min. D-Track	U-Link
P915195 00005	2600029	EOS 1200 U	24 V operator for sectional garage doors with tractive force 120 kg and very intensive use. Max door surface area 16 m <sup>2</sup> . Opening speed 4,5 m/min. D-Track	U-Link

	BOTTICELLI	BOTTICELLI 800 U	EOS 1200 U
Control unit	VENERE	VENERE D	VENERE D
Nominal voltage	24 V	24 V	24 V
Power consumption	150 W	236 W	236 W
Max. door/gate weight	60 kg	80 kg	120 kg
Door surface area	10 m <sup>2</sup>	13 m <sup>2</sup>	16 m <sup>2</sup>
Type of limit switch	Encoder + mechanical stop for opening	Encoder + mechanical stop for opening	Encoder + mechanical stop for opening
Gate panel speed	5 m/min	5 m/min	4,5 m/min
Slowdown	Yes	Yes	Yes
Locking	Mechanical	Mechanical	Mechanical
Release	Steel cord or cable	Steel cord or cable	Steel cord or cable
Impact reaction	D-Track	D-Track	D-Track
Frequency of use	intensive	intensive	very intensive
Protection rating	IPX0	IPX0	IPX0
Environmental conditions	-15 ÷ 60 °C	-15 ÷ 60 °C	-15 ÷ 60 °C

## RECOMMENDED ACCESSORIES

	<b>Cp</b> P115005 - <b>Ci</b> 2600817 <b>SM1</b>		<b>Cp</b> N733069 - <b>Ci</b> 2600786 <b>SET/S</b>
External manual release for overhead garage door (1 operator)		External release for insulated sectional and overhead doors of thickness up to 50 mm.	





Automation systems for garage doors



Empowered by  
**U-LINK**

# EasyAXS

EASY CONNECT. EASY ACCESS.



The new connectivity solution which boosts the potential of BFT products and services to make access automations smarter and easier to use for both installers and end users.

1



## EASY TO CONNECT



**PLUG&PLAY**  
CONNECTIVITY MODULE  
FOR QUICKLY CONNECTING  
BFT SOLUTIONS



2

## EASY TO SET UP



CONFIGURATION  
AND  
MANAGEMENT OF  
THE MOTOR WITH  
THE **EasyAXS app**

3

## EASY TO CONTROL



**TaHoma app**  
TO PROVIDE CUSTOMERS  
WITH A SMART SOLUTION  
FOR ACCESSING THEIR  
HOMES





Automation systems for garage doors



### EASY TO CONNECT

WIFI MODULE



→ 10/15 metres

WIFI MODULE  
+ ANTENNA



→ 20/25 metres

MOBILE MODULE  
+ ANTENNA + SIM



→ ∞



**PLUG&PLAY  
INSTALLATION**



**ALWAYS  
CONNECTED**



**EVEN MORE  
CONNECTIVITY**



**EASY TO SET UP  
FOR INSTALLERS**



**EASY TO CONTROL  
FOR CUSTOMERS**





Automation systems for garage doors



Empowered by  
**U-LINK**



# U-LINK 2.0

AN UPDATED VERSION OF  
**U-LINK** TO GIVE YOU EVEN  
MORE FUNCTIONALITY



## Scalable

You can add as many devices as you want



## Intuitive

Easy to install and to use



## Functional

Settings can be controlled and firmware updated remotely using dedicated applications



## Practical

Works with or without an internet connection



## Flexible

It allows you to create groups of interconnected products

**U-Link**, the exclusive **BFT** technology platform has evolved to offer improved interaction with the latest generation of technological ecosystems. Its ability to interface with all home access automation access devices has been expanded, meaning it is now a very useful tool for installers. It is also a faster communication protocol with increased security for communicating information.

It allows you to save even more time, checking everything very easily and giving you even more peace of mind.



Automation systems for garage doors

Empowered by  
**U-LINK**

# **U-SECURITY**

## A NEW AND EVEN MORE SECURE RADIO PROTOCOL



### → **Secure**

By transmitting data protected by a cryptographic key

**U-Security** is the new technology from **BFT** which incorporates encrypted rolling code thanks to the encryption key which masks the remote control code, meaning that it is impossible to clone a BFT remote control using another brand's model.

The functions of the **Er Ready** system are incorporated and a new procedure is also available for programming remote controls by scanning a QR CODE and using a special app. All products featuring this technology are **REPLAY**, so they can transmit the code to another BFT remote control using a combination of keys.



### → **Easy**

Pairing a remote control with a receiver can be done easily by scanning the QR code and using the dedicated app



### → **Universal**

The radio protocol is also compatible with the previous generation of receivers



INFORMATION REGARDING THE PROTECTION OF THE INDUSTRIAL AND INTELLECTUAL PROPERTY RIGHTS OF BFT. BFT S.p.A. protects its industrial property by depositing trademarks, patents, models and designs. The intellectual property of BFT S.p.A. is protected by copyright law. BFT S.p.A. also protects its know-how by taking measures to protect the technical and commercial information inherent in its company and products. All the products in this catalogue are ORIGINAL BFT MODELS and only BFT S.p.A. is authorised to produce them and market them anywhere in the world. All the commercial names in this catalogue are owned by BFT S.p.A., and only BFT S.p.A. is authorised to use them in relation to the corresponding merchandise category. **FALSIFIERS WILL BE PROCEEDED AGAINST IN ACCORDANCE WITH BOTH CIVIL AND CRIMINAL LAW. THESE CONDITIONS NOT ONLY GUARANTEE THE INTELLECTUAL PROPERTY RIGHTS OF BFT, BUT ALSO PROTECT CUSTOMERS BY GUARANTEEING THAT THE PRODUCTS THEY ARE PURCHASING ARE ORIGINAL BFT PRODUCTS RESULTING FROM STUDIES AND DESIGNS WITHIN THE BFT COMPANY.**