



Be ahead

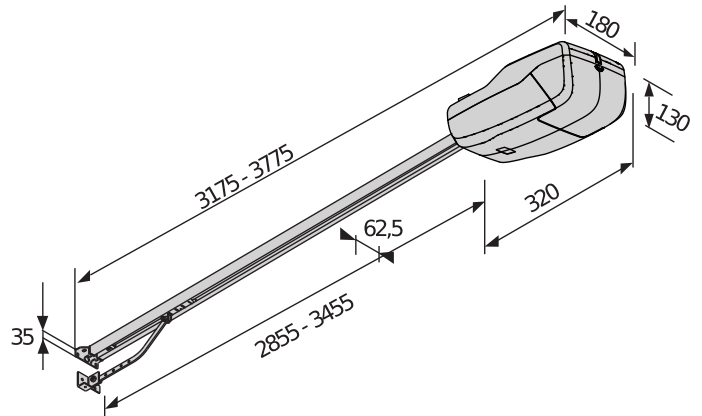


TIZIANO





Automation systems for garage doors



Just 13 cm thick, the TIZIANO is one of the most compact operators on the market and can be installed in any architectural context. Thanks to the built-in radio receiver in the control unit, TIZIANO can store the code for 10 MITTO or KLEIO series remote controls and/or wireless control systems such as MIMEPAD or T-BOX.

Relevant features



Anti-break-in blocking system: The exclusive rail-carriage system allows the door to be locked in the closed position even after emergency manual closing.

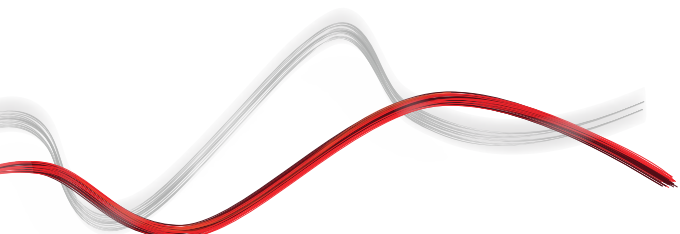


d-track

D-TRACK: Safety first. This is the basic principle behind all BFT operators, and therefore also the TIZIANO. In fact, the intelligent D-Track movement control system enables the microprocessor to know the exact position and speed of the door at any time, thus guaranteeing absolute perfection in movement, the safest and most reliable anti-crushing system on the market, and automatic adaptation to weather conditions and door wear.



Encoder limit switches: Encoder and D-Track combined in a single operator. The technological level and reliability of the system have made it possible to do away with external stops while still guaranteeing maximum door stopping and positioning precision.





Automation systems for garage doors

TIZIANO

Code	Ci	Name	Description
P915199 00002	2601449	TIZIANO B GDA 260 S01	Operator for sectional garage doors with tractive force 60 kg and Semi intensive use. Door surface area 10 m ² . Opening speed 6,6 m/min. D-Track

VENERE M B GDA: Control panel for one 24 V operator for garage doors

VENERE M B GDA - **Cp** I113401 - **Ci** 2601397 - Built-in - (Spare part code, available for order through the Technical Support network)

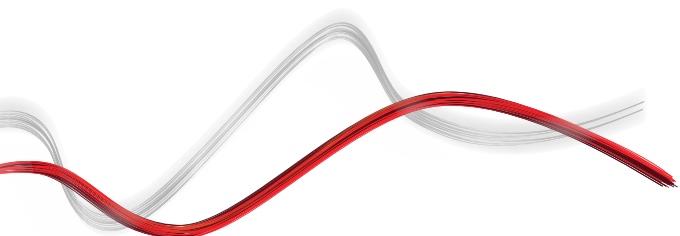


- Control panel for one 24 V operator for garage doors
- Application: control unit for 1 x 24 V garage door operator
- Card power supply: 230 V single-phase
- Operator power supply: 24V 100W
- Main features: dip-switch programming and potentiometers, incorporated dual channel receiver, D-Track anti-crushing system, slowdown during opening and closing
- Main functions: automatic re-closing, automatic torque control

	TIZIANO B GDA 260 S01
Control unit	VENERE B GDA
Nominal voltage	24 V
Power consumption	100 W
Max. door/gate weight	60 kg
Door surface area	10 m ²
Gate panel speed	6,6 m/min
Type of limit switch	encoder
Slowdown	Yes
Locking	Mechanical
Release	Steel cord or cable
Impact reaction	D-Track
Frequency of use	Semi intensive
Protection rating	IPX0
Environmental conditions	-20 ÷ 60 °C

VITAL ACCESSORIES

 Cp P115015 00001 - Ci 2611383 BIN B GDA 3020 CAT Chain rail for TIZIANO B GDA, length 3020 mm, useful travel 2560 mm	 Cp P115015 00002 - Ci 2611384 BIN B GDA 3620 CAT Chain rail for TIZIANO B GDA, length 3620 mm, useful travel 3160 mm
 Cp P115015 00003 - Ci 2611385 BIN B GDA 2x1510 Cat Chain track divided into two halves for TIZIANO B GDA, length 3020 mm, useful travel 2560 mm	 Cp P115015 00004 - Ci 2611386 BIN B GDA 2x1810 Cat Chain track divided into two halves for TIZIANO B GDA, length 3620 mm, useful travel 3160 mm
 Cp P115026 00001 - Ci 2601420 BIN B GDA 3020 BELT Monoblock belt rail, length 3020 mm, useful length 2560 mm	 Cp P115026 00002 - Ci 2611389 BIN B GDA 3620 BELT Monoblock belt rail, length 3620 mm, useful length 3160 mm
 Cp P115026 00003 - Ci 2601421 BIN B GDA 2x1510 BELT Two-piece monoblock belt rail, length 3020 mm, useful length 2560 mm	 Cp P115026 00004 - Ci 2601422 BIN B GDA 2x1810 BELT Two-piece monoblock belt rail, length 3620 mm, useful length 3160 mm

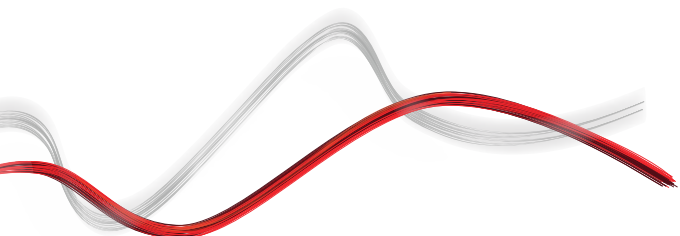




Automation systems for garage doors

RECOMMENDED ACCESSORIES

	Cp D114093 00003 - Ci 2607539 RADIUS LED BT A R1 Flashing light with incorporated antenna for motors with 24 V power supply.		Cp D114094 00003 - Ci 2607541 RADIUS LED BT A RO Flashing light without incorporated antenna for motors with 24 V power supply.
	Cp D114168 00003 - Ci 2607544 RADIUS LED BT A R1 W Flashing light with incorporated antenna for motors with 24 V power supply. White flashing light.		Cp P111782 - Ci 2601411 COMPACTA A20-180 Pair of photocells adjustable 180° horizontally. 20 metre range. 12-33 VAC/15-35 VDC power supply.
	Cp N999620 - Ci 2611134 SAS1 KIT B GDA 260 B01 Brackets for ceiling mounting TIZIANO B GDA up to max 30 cm		Cp N999621 - Ci 2611136 SAS2 KIT B GDA 260 B01 Brackets for ceiling mounting TIZIANO B GDA up to max 50 cm
	Cp P115005 - Ci 2600817 SM1 External manual release for overhead garage door (1 operator)		Cp N733069 - Ci 2600786 SET/S External release for insulated sectional and overhead doors of thickness up to 50 mm.





Automation systems for garage doors

EasyAXS

EASY CONNECT. EASY ACCESS.



The new connectivity solution which boosts the potential of BFT products and services to make access automations smarter and easier to use for both installers and end users.





Automation systems for garage doors

EASY TO CONNECT

WIFI MODULE



→ 10/15 metres

WIFI MODULE
+ ANTENNA



→ 20/25 metres

MOBILE MODULE
+ ANTENNA + SIM



→ ∞



**PLUG&PLAY
INSTALLATION**



**ALWAYS
CONNECTED**



**EVEN MORE
CONNECTIVITY**



**EASY TO SET UP
FOR INSTALLERS**



**EASY TO CONTROL
FOR CUSTOMERS**





Automation systems for garage doors



U-LINK 2.0

AN UPDATED VERSION OF
U-LINK TO GIVE YOU EVEN
MORE FUNCTIONALITY



Scalable

You can add as many devices as you want



Intuitive

Easy to install and to use



Functional

Settings can be controlled and firmware updated remotely using dedicated applications



Practical

Works with or without an internet connection



Flexible

It allows you to create groups of interconnected products

U-Link, the exclusive **BFT** technology platform has evolved to offer improved interaction with the latest generation of technological ecosystems. Its ability to interface with all home access automation access devices has been expanded, meaning it is now a very useful tool for installers. It is also a faster communication protocol with increased security for communicating information.

It allows you to save even more time, checking everything very easily and giving you even more peace of mind.



Automation systems for garage doors

-SECURITY

A NEW AND EVEN MORE SECURE RADIO PROTOCOL



Secure

By transmitting data protected by a cryptographic key

U-Security is the new technology from **BFT** which incorporates encrypted rolling code thanks to the encryption key which masks the remote control code, meaning that it is impossible to clone a BFT remote control using another brand's model.

The functions of the **Er Ready** system are incorporated and a new procedure is also available for programming remote controls by scanning a QR CODE and using a special app. All products featuring this technology are **REPLAY**, so they can transmit the code to another BFT remote control using a combination of keys.



Easy

Pairing a remote control with a receiver can be done easily by scanning the QR code and using the dedicated app



Universal

The radio protocol is also compatible with the previous generation of receivers



INFORMATION REGARDING THE PROTECTION OF THE INDUSTRIAL AND INTELLECTUAL PROPERTY RIGHTS OF BFT. BFT S.p.A. protects its industrial property by depositing trademarks, patents, models and designs. The intellectual property of BFT S.p.A. is protected by copyright law. BFT S.p.A. also protects its know-how by taking measures to protect the technical and commercial information inherent in its company and products. All the products in this catalogue are ORIGINAL BFT MODELS and only BFT S.p.A. is authorised to produce them and market them anywhere in the world. All the commercial names in this catalogue are owned by BFT S.p.A., and only BFT S.p.A. is authorised to use them in relation to the corresponding merchandise category. **FALSIFIERS WILL BE PROCEEDED AGAINST IN ACCORDANCE WITH BOTH CIVIL AND CRIMINAL LAW. THESE CONDITIONS NOT ONLY GUARANTEE THE INTELLECTUAL PROPERTY RIGHTS OF BFT, BUT ALSO PROTECT CUSTOMERS BY GUARANTEEING THAT THE PRODUCTS THEY ARE PURCHASING ARE ORIGINAL BFT PRODUCTS RESULTING FROM STUDIES AND DESIGNS WITHIN THE BFT COMPANY.**