



Be ahead



SUB BT

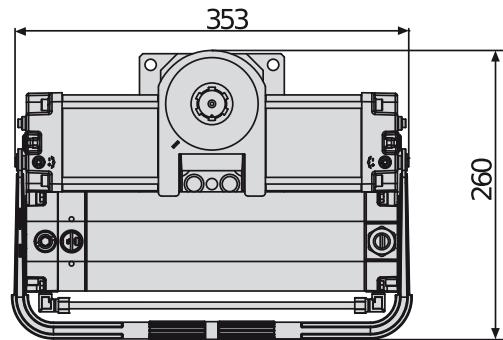
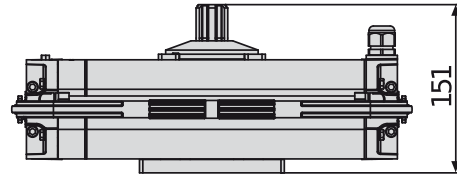




SUB BT

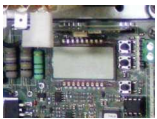


Hydraulic automation systems for swing gates



Low voltage hydraulic operator for very intensive use, suitable for any type of residential, industrial or multi-residence application. Compact and sturdy, they can automate swing gate leaves up to 2.5m wide and weighing up to 800kg. Fitted with mechanical stops and virtual encoder, guaranteeing maximum anti-crushing safety thanks to the electronic slowdown and D-Track system

Relevant features



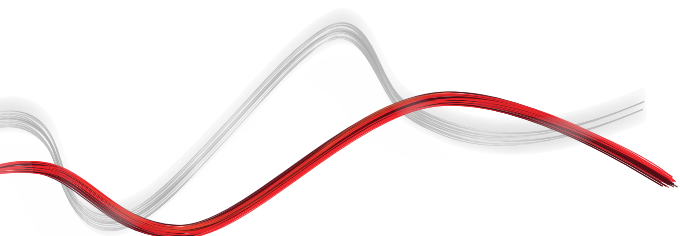
Control unit with programming display and new, simplified scenario-based programming



Fully adjustable mechanical stops inside the operator



The monoblock structure gives the possibility of a very neat installation that is extremely reliable over time.





Hydraulic automation systems for swing gates

SUB BT

Code	Ci	Name	Description
P930123 00001	2601016	SUB BT	Low voltage, in-ground irreversible hydraulic operator for hinged leaves up to 2,5 m. weight 800 kg. D-Track

THALIA P: Control panel for one or two 24V electromechanical and hydraulic operators for swing gates with electric lock management, for highly complex systems

Cp D113747 00002 - Ci 2600583 - THALIA P - Recommended


- Card power supply: 230 V single-phase
- Operators power supply: 24Vdc 240W max each operator
- Main features: removable terminal blocks with new standard colour-coding, simplified scenario-based programming with display and incorporated dual channel receiver, D-Track anti-crushing system . slowdown during opening and closing and electronic self-learning
- Main features: automatic closing, rapid closing, partial opening, operation with deadman feature, direct connection powered solenoid lock and electromagnet, direct connection edge BK2.
- Application: display panel for 1 or 2 24V operators
- Compatibility: LIBRA, LIBRA R, LIBRA MA R

	SUB BT
Control unit	THALIA P
Board power supply	230 V
Motor voltage	24 V
Power consumption	300 W
Max. width of door/gate wing	2,5 m
Max. weight of door/gate wing	800 kg
Maximum angle	120 °
Cycle time	13 s
Slowdown	Yes
Locking	Open/close hydraulics
Release	Lever or lever with personalised key
Impact reaction	D-Track
Frequency of use	very intensive
Protection rating	IP67
Environmental conditions	-20 ÷ 60 °C

VITAL ACCESSORIES

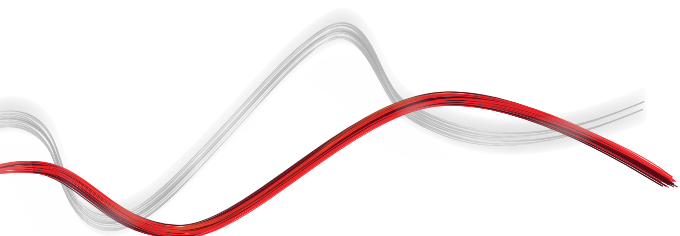
	 Cp D113745 00002 - Ci 2600477 THALIA P		Cp N733480 00001 - Ci 2601015 FCS BT
	Control panel with display for one or two 24V electromechanical operators for swing gates		Foundation box for SUB BT series operators
	Cp N733392 - Ci 2600478 SCC		Cp N733502 - Ci 2610959 SCP
	Release for ELI AC A, ELI BT A and SUB BT with lever key.		Release for ELI AC A, ELI BT A and SUB BT with personalized key.



Hydraulic automation systems for swing gates

RECOMMENDED ACCESSORIES

	Cp P111782 - Ci 2601411 COMPACTA A20-180 Pair of photocells adjustable 180° horizontally. 20 metre range. 12-33 VAC/15-35 VDC power supply.		Cp D114094 00003 - Ci 2607541 RADIUS LED BT A RO Flashing light without incorporated antenna for motors with 24 V power supply.
	Cp D114093 00003 - Ci 2607539 RADIUS LED BT A R1 Flashing light with incorporated antenna for motors with 24 V power supply.		Cp D114168 00003 - Ci 2607544 RADIUS LED BT A R1 W Flashing light with incorporated antenna for motors with 24 V power supply. White flashing light.
	new Cp P123032 00003 - Ci 2613518 EBP BT A 24V 24V vertical electric lock.		Cp P125020 - Ci 2600844 BBT BAT Set of backup batteries for THALIA, THALIA P, ZARA and PHEBE





SUB BT



Hydraulic automation systems for swing gates

EasyAXS

EASY CONNECT. EASY ACCESS.



The new connectivity solution which boosts the potential of BFT products and services to make access automations smarter and easier to use for both installers and end users.





Hydraulic automation systems for swing gates

EASY TO CONNECT

WIFI MODULE



→ 10/15 metres

WIFI MODULE + ANTENNA



→ 20/25 metres

MOBILE MODULE + ANTENNA + SIM



→ ∞



**PLUG&PLAY
INSTALLATION**



**ALWAYS
CONNECTED**



**EVEN MORE
CONNECTIVITY**



**EASY TO SET UP
FOR INSTALLERS**



**EASY TO CONTROL
FOR CUSTOMERS**





Hydraulic automation systems for swing gates



U-LINK 2.0

AN UPDATED VERSION OF
U-LINK TO GIVE YOU EVEN
MORE FUNCTIONALITY



Scalable

You can add as many devices as you want



Intuitive

Easy to install and to use



Functional

Settings can be controlled and firmware updated remotely using dedicated applications



Practical

Works with or without an internet connection



Flexible

It allows you to create groups of interconnected products

U-Link, the exclusive **BFT** technology platform has evolved to offer improved interaction with the latest generation of technological ecosystems. Its ability to interface with all home access automation access devices has been expanded, meaning it is now a very useful tool for installers. It is also a faster communication protocol with increased security for communicating information.

It allows you to save even more time, checking everything very easily and giving you even more peace of mind.



Hydraulic automation systems for swing gates

U-SECURITY

A NEW AND EVEN MORE SECURE RADIO PROTOCOL



Secure

By transmitting data protected by a cryptographic key

U-Security is the new technology from **BFT** which incorporates encrypted rolling code thanks to the encryption key which masks the remote control code, meaning that it is impossible to clone a BFT remote control using another brand's model.

The functions of the **Er Ready** system are incorporated and a new procedure is also available for programming remote controls by scanning a QR CODE and using a special app. All products featuring this technology are **REPLAY**, so they can transmit the code to another BFT remote control using a combination of keys.



Easy

Pairing a remote control with a receiver can be done easily by scanning the QR code and using the dedicated app



Universal

The radio protocol is also compatible with the previous generation of receivers



INFORMATION REGARDING THE PROTECTION OF THE INDUSTRIAL AND INTELLECTUAL PROPERTY RIGHTS OF BFT. BFT S.p.A. protects its industrial property by depositing trademarks, patents, models and designs. The intellectual property of BFT S.p.A. is protected by copyright law. BFT S.p.A. also protects its know-how by taking measures to protect the technical and commercial information inherent in its company and products. All the products in this catalogue are ORIGINAL BFT MODELS and only BFT S.p.A. is authorised to produce them and market them anywhere in the world. All the commercial names in this catalogue are owned by BFT S.p.A., and only BFT S.p.A. is authorised to use them in relation to the corresponding merchandise category. **FALSIFIERS WILL BE PROCEEDED AGAINST IN ACCORDANCE WITH BOTH CIVIL AND CRIMINAL LAW. THESE CONDITIONS NOT ONLY GUARANTEE THE INTELLECTUAL PROPERTY RIGHTS OF BFT, BUT ALSO PROTECT CUSTOMERS BY GUARANTEEING THAT THE PRODUCTS THEY ARE PURCHASING ARE ORIGINAL BFT PRODUCTS RESULTING FROM STUDIES AND DESIGNS WITHIN THE BFT COMPANY.**