



Be ahead



ELI 250 N BT

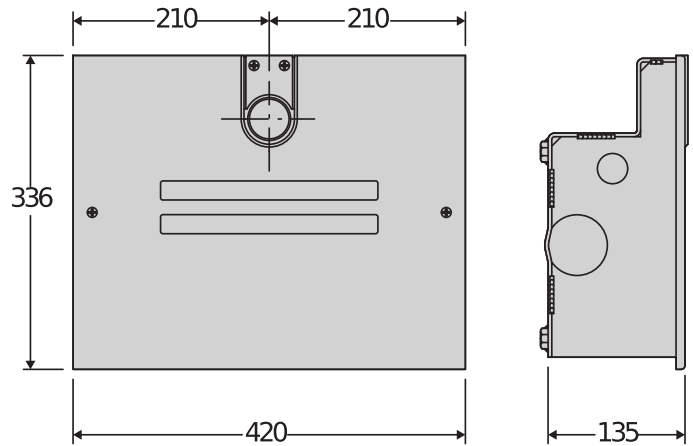




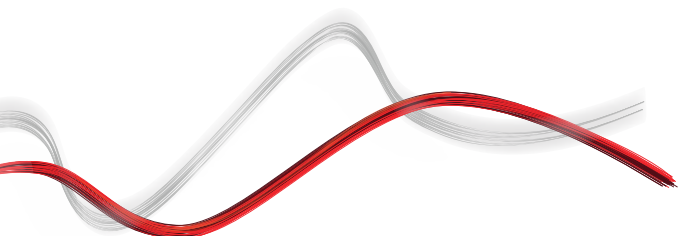
ELI 250 N BT



Electromechanical automation systems for swing gates



Complete range of irreversible underground electromechanical operators for swing gates up to 400 kg and 3.5 m long. The magnetic limit switch system (BT) guarantees maximum precision and reliability in any climatic conditions.





Electromechanical automation systems for swing gates



ELI 250 N BT

Code	Ci	Name	Description	
P930125 00001	2600020	ELI 250 N BT	In-ground irreversible electromechanical operator 24 V for swing gates weighing up to 400 kg and 3,5 m long. Limit switch Magnetic.	U-Link

THALIA: Control panel with display for one or two 24V electromechanical operators for swing gates



Cp D113745 00002 - Ci 2600477 - THALIA - Recommended



- Application: control panel with display for one or two 24V electromechanical operators for swing gates
- Card power supply: 230 V single-phase
- Operators power supply: 24Vdc 180W max each operator
- Main features: new standard colour removable terminal blocks, simplified scenario-based programming with display and integrated dual-channel receiver, D-Track anti-crushing system, slowdown during opening and closing and electronic self-learning.
- Main functions: automatic re-closing, fast closing, partial opening, deadman feature
- Compatibility: LIBRA, LIBRA R, LIBRA MA R

	ELI 250 N BT
Control unit	THALIA
Board power supply	230 V
Motor voltage	24 V
Power consumption	175 W
Max. width of door/gate wing	3,5 m
Max. weight of door/gate wing	400 kg
Maximum angle	120 °
Cycle time	15 s
Type of limit switch	Magnetic
Slowdown	Yes
Locking	Mechanical
Release	Lever or lever with personalised key
Impact reaction	D-Track
Frequency of use	intensive
Protection rating	IP67
Environmental conditions	-20 ÷ 50 °C

RECOMMENDED ACCESSORIES


<p>Cp D113747 00002 - Ci 2600583 THALIA P</p> <p>Control panel for one or two 24V electromechanical and hydraulic operators for swing gates with electric lock management, for highly complex systems</p>	<p>Cp N733397 - Ci 2600789 BTCF 120 E</p> <p>Foundation box with levers for ELI AC A, ELI BT A. Release not supplied</p>
<p>Cp N733398 - Ci 2600091 BTCF 120 E INOX</p> <p>Stainless steel foundation box with levers for ELI AC A, ELI BT A. Release not provided</p>	<p>Cp N733392 - Ci 2600478 SCC</p> <p>Release for ELI AC A, ELI BT A and SUB BT with lever key.</p>

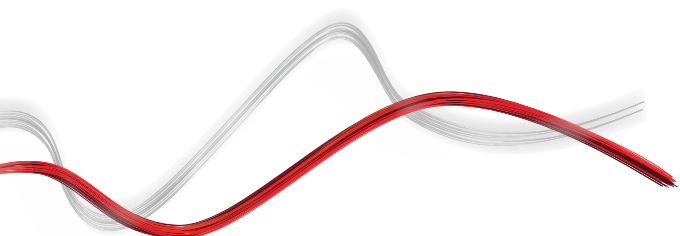


Electromechanical automation systems for swing gates



RECOMMENDED ACCESSORIES

	Cp P125020 - Ca 2600844 BBT BAT Set of backup batteries for THALIA, THALIA P, ZARA and PHEBE				
--	---	--	--	--	--





Electromechanical automation systems for swing gates



Empowered by U-LINK

EasyAXS

EASY CONNECT. EASY ACCESS.



The new connectivity solution which boosts the potential of BFT products and services to make access automations smarter and easier to use for both installers and end users.

1



EASY TO CONNECT



PLUG&PLAY
CONNECTIVITY MODULE
FOR QUICKLY CONNECTING
BFT SOLUTIONS



2

EASY TO SET UP



CONFIGURATION
AND
MANAGEMENT OF
THE MOTOR WITH
THE **EasyAXS app**

3

EASY TO CONTROL



TaHoma app
TO PROVIDE CUSTOMERS
WITH A SMART SOLUTION
FOR ACCESSING THEIR
HOMES





Electromechanical automation systems for swing gates



EASY TO CONNECT

WIFI MODULE



→ 10/15 metres

WIFI MODULE
+ ANTENNA



→ 20/25 metres

MOBILE MODULE
+ ANTENNA + SIM



→ ∞



**PLUG&PLAY
INSTALLATION**



**ALWAYS
CONNECTED**



**EVEN MORE
CONNECTIVITY**



**EASY TO SET UP
FOR INSTALLERS**



**EASY TO CONTROL
FOR CUSTOMERS**





Electromechanical automation systems for swing gates



Empowered by
U-LINK



U-LINK 2.0

AN UPDATED VERSION OF
U-LINK TO GIVE YOU EVEN
MORE FUNCTIONALITY



Scalable

You can add as many devices as you want



Intuitive

Easy to install and to use



Functional

Settings can be controlled and firmware updated remotely using dedicated applications



Practical

Works with or without an internet connection



Flexible

It allows you to create groups of interconnected products

U-Link, the exclusive **BFT** technology platform has evolved to offer improved interaction with the latest generation of technological ecosystems. Its ability to interface with all home access automation access devices has been expanded, meaning it is now a very useful tool for installers. It is also a faster communication protocol with increased security for communicating information.

It allows you to save even more time, checking everything very easily and giving you even more peace of mind.



Electromechanical automation systems for swing gates

Empowered by
U-LINK

U-SECURITY

A NEW AND EVEN MORE SECURE RADIO PROTOCOL



→ **Secure**

By transmitting data protected by a cryptographic key

U-Security is the new technology from **BFT** which incorporates encrypted rolling code thanks to the encryption key which masks the remote control code, meaning that it is impossible to clone a BFT remote control using another brand's model.

The functions of the **Er Ready** system are incorporated and a new procedure is also available for programming remote controls by scanning a QR CODE and using a special app. All products featuring this technology are **REPLAY**, so they can transmit the code to another BFT remote control using a combination of keys.



→ **Easy**

Pairing a remote control with a receiver can be done easily by scanning the QR code and using the dedicated app



→ **Universal**

The radio protocol is also compatible with the previous generation of receivers



INFORMATION REGARDING THE PROTECTION OF THE INDUSTRIAL AND INTELLECTUAL PROPERTY RIGHTS OF BFT. BFT S.p.A. protects its industrial property by depositing trademarks, patents, models and designs. The intellectual property of BFT S.p.A. is protected by copyright law. BFT S.p.A. also protects its know-how by taking measures to protect the technical and commercial information inherent in its company and products. All the products in this catalogue are ORIGINAL BFT MODELS and only BFT S.p.A. is authorised to produce them and market them anywhere in the world. All the commercial names in this catalogue are owned by BFT S.p.A., and only BFT S.p.A. is authorised to use them in relation to the corresponding merchandise category. **FALSIFIERS WILL BE PROCEEDED AGAINST IN ACCORDANCE WITH BOTH CIVIL AND CRIMINAL LAW. THESE CONDITIONS NOT ONLY GUARANTEE THE INTELLECTUAL PROPERTY RIGHTS OF BFT, BUT ALSO PROTECT CUSTOMERS BY GUARANTEEING THAT THE PRODUCTS THEY ARE PURCHASING ARE ORIGINAL BFT PRODUCTS RESULTING FROM STUDIES AND DESIGNS WITHIN THE BFT COMPANY.**