



Be ahead



PHOBOS BT A

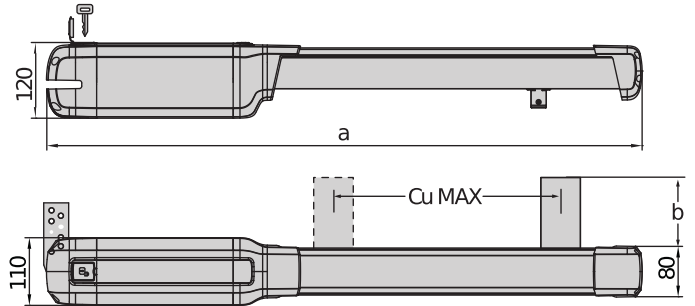




PHOBOS BT A



Electromechanical automation systems for swing gates



	a	b	Cu MAX
Phobos BT A25	850	72,5	290
Phobos BT A40	960	108	400
Phobos AC A25	850	72,5	350
Phobos AC A40	960	108	460

Complete range of electromechanical pistons for residential use, suitable for swing gate leaves up to 4 metres wide and weighing up to 500 kg. Obstacle detection: the management and control system of the D-Track pair ensures maximum safety for people and property, as well as facilitating certification of the system

Relevant features



Magnetic limit switch: the magnetic limit switch system ensures maximum precision of movement and quick and easy adjustment



Electromechanical automation systems for swing gates

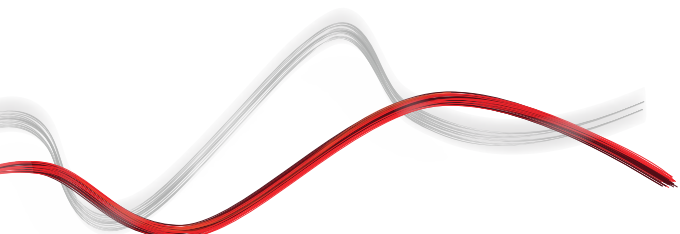
PHOBOS BT A

Code	Ci	Name		Description
P935096 00002	2600865	PHOBOS BT A25		Irreversible electromechanical operator 24 V for swing gates weighing up to 400 kg and 2.5 m long. Magnetic limit switch
P935095 00002	2600864	PHOBOS BT A40		Irreversible electromechanical operator 24 V for swing gates weighing up to 500 kg and 4 m long. Magnetic limit switch
R935306 00005	2611932	PHOBOS BT KIT A25 FRA		Complete kit 24 V for swing gates up to 400 kg in weight and 2.5 m in length. Magnetic limit switch
R935309 00005	2611941	PHOBOS BT KIT A40 FRA		Complete kit 24 V for swing gates up to 500 kg in weight and 4 m in length. Magnetic limit switch

	PHOBOS BT A25	PHOBOS BT A40
Control unit	THALIA BT A80, ZARA BT A 80, THALIA, ZARA	THALIA BT A80, ZARA BT A 80, THALIA, ZARA
Board power supply	230 V	230 V
Motor voltage	24 V	24 V
Power consumption	40 W	40 W
Max. width of door/gate wing	2,5 m	4 m
Max. weight of door/gate wing	400 kg	500 kg
Useful rod stroke	290 mm	400 mm
Maximum angle	116 °	124 °
Movement time (90°, excluding slowdown, with maximum gate size and weight)	approx, 15 secs	approx, 20 secs
Type of limit switch	Magnetic	Magnetic
Slowdown	Yes	Yes
Locking	Mechanical	Mechanical
Release	Personal key	Personal key
Impact reaction	D-Track	D-Track
Frequency of use	intensive	intensive
Protection rating	IPX4	IPX4
Environmental conditions	-20 ÷ 55 °C	-20 ÷ 55 °C

VITAL ACCESSORIES

	D113745 00002 - 2600477 THALIA	Control panel with display for one or two 24V electromechanical operators for swing gates
	D113747 00002 - 2600583 THALIA P	Control panel for one or two 24V electromechanical and hydraulic operators for swing gates with electric lock management, for highly complex systems





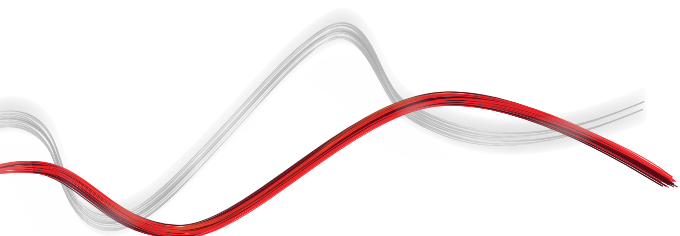
Electromechanical automation systems for swing gates

VITAL ACCESSORIES

	<p>Ph. Out Cp D113796 00002 - Ci 2607507 ZARA BT L2</p> <p>Control panel with dip switches and potentiometers for one or two 24V operators for swing gates.</p>						
--	---	--	--	--	--	--	--

RECOMMENDED ACCESSORIES

	<p>Ph. Out Cp N733427 - Ci 2600791 ARB PHOBOS N</p> <p>Front and rear adjustable bracket for PHOBOS operator</p>		<p>Ph. Out Cp N733428 - Ci 2600792 ARB PHOBOS N L</p> <p>Front and rear adjustable bracket for PHOBOS operator</p>
	<p>Cp N733427 00001 - Ci 2610951 ARB PHOBOS 25</p> <p>Adjustable front mounting bracket, Phobos A 25</p>		<p>Cp N733428 00001 - Ci 2610952 ARB PHOBOS 40</p> <p>Adjustable front mounting bracket, Phobos A 40</p>
	<p>Cp N735002 - Ci 2601324 SFR B</p> <p>Adjustable wall bracket, short, for linear swing-gate motors (excluding P4.5-P7)</p>		<p>Cp N735003 - Ci 2601367 SFR-L B</p> <p>Adjustable wall bracket, long, for linear swing-gate motors (excluding P4.5-P7)</p>
	<p>Cp N735002 00001 - Ci 2601273 SFR B - COMPLETE</p> <p>Adjustable wall bracket, short, for linear swing-gate motors (excluding P4.5-P7), with flat bracket</p>		<p>Cp N735003 00001 - Ci 2601392 SFR-L B - COMPLETE</p> <p>Adjustable wall bracket, long, for linear swing-gate motors (excluding P4.5-P7), with flat bracket</p>
	<p>Cp D730178 - Ci 2600090 PLE</p> <p>Anchor plate for attaching the rear mountings to masonry pillars for LUX, ORO, and PHOBOS operators.</p>		<p>Cp P125020 - Ci 2600844 BBT BAT</p> <p>Set of backup batteries for THALIA, THALIA P, ZARA and PHEBE</p>
	<p>Cp D114168 00003 - Ci 2607544 RADIUS LED BT A R1 W</p> <p>Flashing light with incorporated antenna for motors with 24 V power supply. White flashing light.</p>		<p>new Cp N998613 - Ci 2613836 AMIP</p> <p>PHOBOS built-in mechanical stops.</p>
	<p>Cp P111782 - Ci 2601411 COMPACTA A20-180</p> <p>Pair of photocells adjustable 180° horizontally. 20 metre range. 12-33 VAC/15-35 VDC power supply.</p>		<p>new Cp P123032 00003 - Ci 2613518 EBP BT A 24V</p> <p>24V vertical electric lock.</p>





Electromechanical automation systems for swing gates

EasyAXS

EASY CONNECT. EASY ACCESS.



The new connectivity solution which boosts the potential of BFT products and services to make access automations smarter and easier to use for both installers and end users.

1

EASY TO CONNECT



PLUG&PLAY
CONNECTIVITY MODULE
FOR QUICKLY CONNECTING
BFT SOLUTIONS



2

EASY TO SET UP



CONFIGURATION
AND
MANAGEMENT OF
THE MOTOR WITH
THE **EasyAXS app**

3

EASY TO CONTROL



TaHoma app
TO PROVIDE CUSTOMERS
WITH A SMART SOLUTION
FOR ACCESSING THEIR
HOMES





Electromechanical automation systems for swing gates

EASY TO CONNECT

WIFI MODULE



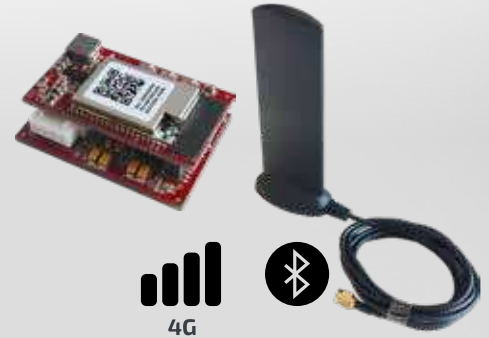
→ 10/15 metres

WIFI MODULE
+ ANTENNA



→ 20/25 metres

MOBILE MODULE
+ ANTENNA + SIM



→ ∞



**PLUG&PLAY
INSTALLATION**



**ALWAYS
CONNECTED**



**EVEN MORE
CONNECTIVITY**



**EASY TO SET UP
FOR INSTALLERS**



**EASY TO CONTROL
FOR CUSTOMERS**





Electromechanical automation systems for swing gates



U-LINK 2.0

AN UPDATED VERSION OF
U-LINK TO GIVE YOU EVEN
MORE FUNCTIONALITY



Scalable

You can add as many devices as you want



Intuitive

Easy to install and to use



Functional

Settings can be controlled and firmware updated remotely using dedicated applications



Practical

Works with or without an internet connection



Flexible

It allows you to create groups of interconnected products

U-Link, the exclusive **BFT** technology platform has evolved to offer improved interaction with the latest generation of technological ecosystems. Its ability to interface with all home access automation access devices has been expanded, meaning it is now a very useful tool for installers. It is also a faster communication protocol with increased security for communicating information.

It allows you to save even more time, checking everything very easily and giving you even more peace of mind.



Electromechanical automation systems for swing gates

U-SECURITY

A NEW AND EVEN MORE SECURE RADIO PROTOCOL



→ **Secure**
By transmitting data protected by a cryptographic key

U-Security is the new technology from **BFT** which incorporates encrypted rolling code thanks to the encryption key which masks the remote control code, meaning that it is impossible to clone a BFT remote control using another brand's model.

The functions of the **Er Ready** system are incorporated and a new procedure is also available for programming remote controls by scanning a QR CODE and using a special app. All products featuring this technology are **REPLAY**, so they can transmit the code to another BFT remote control using a combination of keys.



→ **Easy**
Pairing a remote control with a receiver can be done easily by scanning the QR code and using the dedicated app



→ **Universal**
The radio protocol is also compatible with the previous generation of receivers



INFORMATION REGARDING THE PROTECTION OF THE INDUSTRIAL AND INTELLECTUAL PROPERTY RIGHTS OF BFT. BFT S.p.A. protects its industrial property by depositing trademarks, patents, models and designs. The intellectual property of BFT S.p.A. is protected by copyright law. BFT S.p.A. also protects its know-how by taking measures to protect the technical and commercial information inherent in its company and products. All the products in this catalogue are ORIGINAL BFT MODELS and only BFT S.p.A. is authorised to produce them and market them anywhere in the world. All the commercial names in this catalogue are owned by BFT S.p.A., and only BFT S.p.A. is authorised to use them in relation to the corresponding merchandise category. **FALSIFIERS WILL BE PROCEEDED AGAINST IN ACCORDANCE WITH BOTH CIVIL AND CRIMINAL LAW. THESE CONDITIONS NOT ONLY GUARANTEE THE INTELLECTUAL PROPERTY RIGHTS OF BFT, BUT ALSO PROTECT CUSTOMERS BY GUARANTEEING THAT THE PRODUCTS THEY ARE PURCHASING ARE ORIGINAL BFT PRODUCTS RESULTING FROM STUDIES AND DESIGNS WITHIN THE BFT COMPANY.**