



Be ahead



# ICARO ULTRA AC A

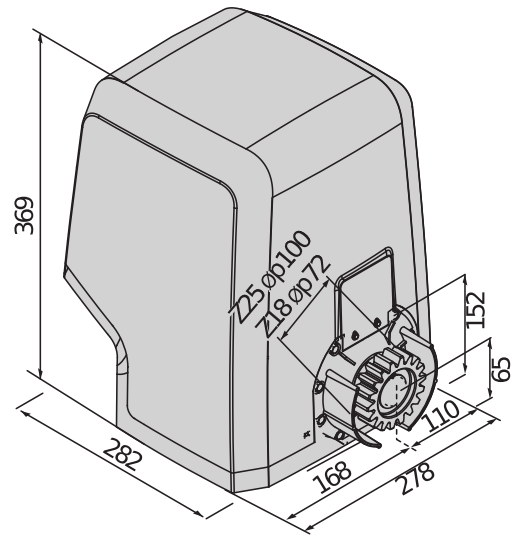




# ICARO ULTRA AC A



## Sliding gate automation systems



230V operators for sliding gates for very intensive use, extremely robust and high-performance thanks to oil bath transmission. Torque control thanks to D-Track technology and encoder for the highest possible precision of movement. Control unit for communication with U-Link protocol and with tamper-proof function. Operator with magnetic limit switch. The control unit ensures complete safety thanks to the exclusive torque control system that makes these operators comply fully with the current European standards.

### Relevant features



**U-Link protocol:** the ICARO ULTRA AC A2000 operator is compatible with the U-Link communication protocol, through the integrated LEO B CBB control panel.



d-track

**D-Track dynamic path tracking:** smart torque management system that constantly updates the gate torque level, improving the safety of the maneuver regardless of weather conditions, temperature or the degree of wear of the system.



**Magnetic limit switches:** this type of limit switch ensures safe and precise installations in any ambient condition



Oil Gear

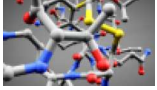
**Oil Gear:** Oil bath gearbox unit. The component gears of the transmission are immersed in an oil bath to ensure perfect lubrication throughout their service life.



## Sliding gate automation systems



### Relevant features



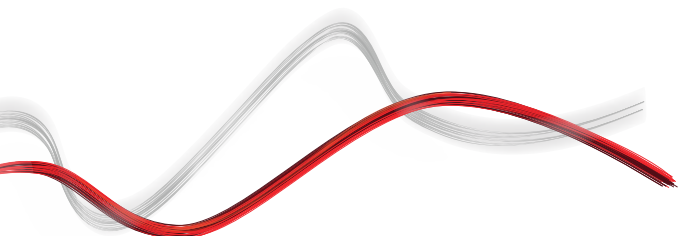
**Technopolymers:** The combined use of metal and plastic-technopolymer gears provides the perfect engagement between the surfaces, allowing for reduced friction and the highest levels of reliability in intensive use.



**Release lever with personalised key:** the release lever simplifies motor release and the personalized key ensures its uniqueness, for better safety



**Screws on the front:** By putting the fastening screws on the front of the casing, installation and maintenance are easier and more convenient, even in confined spaces.





## Sliding gate automation systems



## ICARO ULTRA AC A

Code	Ci	Name	Description	
P925238 00002	2600854	ICARO ULTRA AC A2000	Operator 230 V for sliding gates up to 2000 kg with relative encoder. Leaf speed 9 m/min . Magnetic limit switch. Equipped with mechanical safety clutch, torque management via D-Track technology and gear unit in oil bath. Control unit for communication with U-Link protocol and with tamper-proof function. Magnetic limit switch. Control unit with display, preconfigured for communication with U-Link protocol.	

### LEO B CBB L02: Built-in control panel for 1 x 230V operator for sliding gates

LEO B CBB L02 - **Cp** I700073 10001 - **Ci** 2600768 - Built-in - (Spare part code, available for order through the Technical Support network)



- Built-in control panel for 1 x 230V operator for sliding gates
- Application: built-in control unit for one 230V operator for sliding gates
- Card power supply: 230 V single-phase
- Operator power supply: 230V 750W
- Main features: removable terminal blocks with new standard colour-coding, simplified scenario-based programming with display, incorporated dual channel receiver, D-Track anti-crushing system, slowdown during opening and closing
- Main functions: automatic re-closing, fast closing, pedestrian opening

	ICARO ULTRA AC A2000
Control unit	LEO B CBB L02
Board power supply	230 V
Motor voltage	230 V
Power consumption	750 W
Max. door/gate weight	2000 kg
Gate panel speed	9 m/min
Type of limit switch	Magnetic
Pinion module	4
Slowdown	Yes
Locking	Mechanical
Release	Lever-operated with personal key
Impact reaction	Mechanical clutch + encoder
Frequency of use	very intensive
Protection rating	IP55
Environmental conditions	-20 ÷ 55 °C

## RECOMMENDED ACCESSORIES

	<b>Cp</b> D114093 00002 - <b>Ci</b> 2607538 <b>RADIUS LED AC A R1</b> Flashing light with incorporated antenna for motors with 230 V power supply.		<b>Cp</b> D114094 00002 - <b>Ci</b> 2607540 <b>RADIUS LED AC A R0</b> Flashing light without incorporated antenna for motors with 230 V power supply.
	<b>Cp</b> D114093 00001 - <b>Ci</b> 2607537 <b>RADIUS LED AC A R1 120</b> Flashing light with incorporated antenna for motors with power supply 120 V .		<b>Cp</b> P111782 - <b>Ci</b> 2601411 <b>COMPACTA A20-180</b> Pair of photocells adjustable 180° horizontally. 20 metre range. 12-33 VAC/15-35 VDC power supply.
	<b>Cp</b> D221073 - <b>Ci</b> 2600594 <b>CP</b> plastic rack, 4-module, cross-section 22 x 22 mm, length 1 m, screw-fitted into slots attachment Max. load capacity 600 kg.		<b>Cp</b> N999320 - <b>Ci</b> 2611083 <b>CVZ-5</b> steel rack, 4-module, cross-section 30 x 8 mm, length 1 m, screw-fitted on supports attachment Max. load capacity 800 kg.

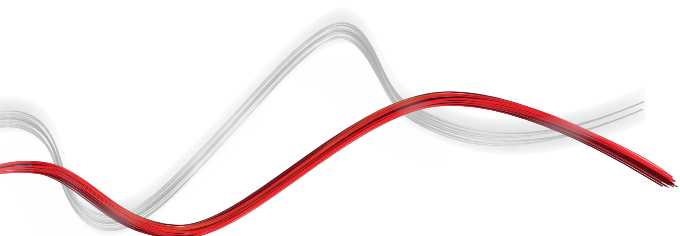


## Sliding gate automation systems



## RECOMMENDED ACCESSORIES

	<p><b>Cp D571054 - Ci 2608387</b> <b>CFZ</b></p> <p>galvanized steel rack, 4-module, cross-section 22 x 22 mm, length 2 m, welding attachment Max. load capacity 2000 kg.</p>		<p><b>Cp D571053 - Ci 9011069</b> <b>CVZ</b></p> <p>steel rack, 4-module, cross-section 30 x 12 mm, length 1 m, screw-fitted on supports attachment Max. load capacity 1000 kg.</p>
	<p><b>Cp N999156 - Ci 2611078</b> <b>SFI</b></p> <p>Base plate for ARES and ICARO (supplied with operator)</p>		<p><b>Cp P125018 - Ci 2600843</b> <b>THEKE B PRA 01</b></p> <p>Metal protection box for ARES and ICARO series sliding operators</p>
	<p> <b>Cp P111468 - Ci 2600811</b> <b>B EBA RS 485 LINK</b></p> <p>Expansion board for connection of central units with serial controls management</p>		





Sliding gate automation systems



Empowered by  
**U-LINK**

# EasyAXS

EASY CONNECT. EASY ACCESS.



The new connectivity solution which boosts the potential of BFT products and services to make access automations smarter and easier to use for both installers and end users.







Sliding gate automation systems



## EASY TO CONNECT

WIFI MODULE



→ 10/15 metres

WIFI MODULE + ANTENNA



→ 20/25 metres

MOBILE MODULE + ANTENNA + SIM



→ ∞



**PLUG&PLAY  
INSTALLATION**



**ALWAYS  
CONNECTED**



**EVEN MORE  
CONNECTIVITY**



**EASY TO SET UP  
FOR INSTALLERS**



**EASY TO CONTROL  
FOR CUSTOMERS**





Sliding gate automation systems



# U-LINK 2.0

AN UPDATED VERSION OF  
**U-LINK** TO GIVE YOU EVEN  
MORE FUNCTIONALITY



## Scalable

You can add as many devices as you want



## Intuitive

Easy to install and to use



## Functional

Settings can be controlled and firmware updated remotely using dedicated applications



## Practical

Works with or without an internet connection



## Flexible

It allows you to create groups of interconnected products

**U-Link**, the exclusive **BFT** technology platform has evolved to offer improved interaction with the latest generation of technological ecosystems. Its ability to interface with all home access automation access devices has been expanded, meaning it is now a very useful tool for installers. It is also a faster communication protocol with increased security for communicating information.

It allows you to save even more time, checking everything very easily and giving you even more peace of mind.





Sliding gate automation systems



Empowered by  
**U-LINK**

# **U-SECURITY**

## A NEW AND EVEN MORE SECURE RADIO PROTOCOL



### → **Secure**

By transmitting data protected by a cryptographic key

**U-Security** is the new technology from **BFT** which incorporates encrypted rolling code thanks to the encryption key which masks the remote control code, meaning that it is impossible to clone a BFT remote control using another brand's model.

The functions of the **Er Ready** system are incorporated and a new procedure is also available for programming remote controls by scanning a QR CODE and using a special app. All products featuring this technology are **REPLAY**, so they can transmit the code to another BFT remote control using a combination of keys.



### → **Easy**

Pairing a remote control with a receiver can be done easily by scanning the QR code and using the dedicated app



### → **Universal**

The radio protocol is also compatible with the previous generation of receivers

