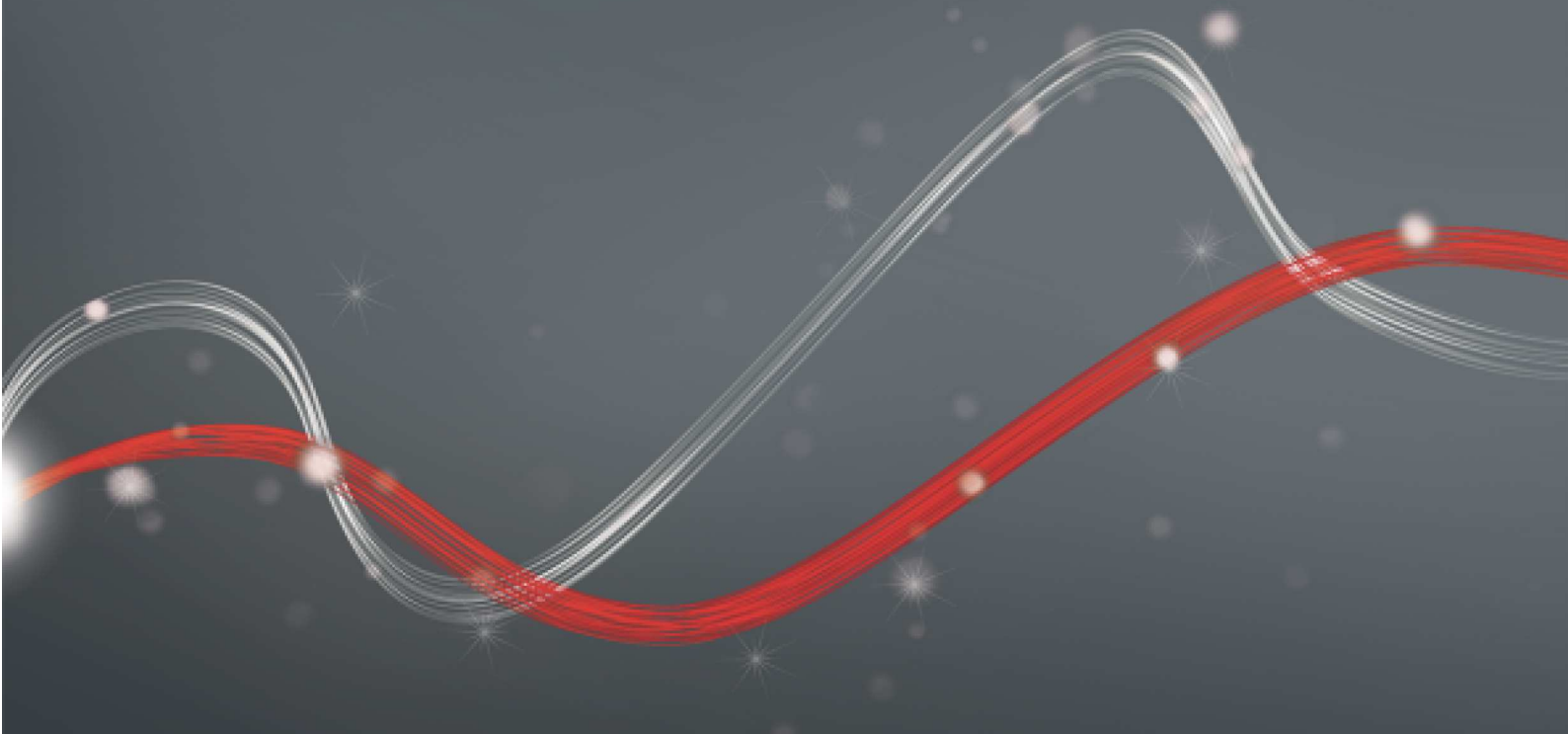




Be ahead



# ARES ULTRA BT A

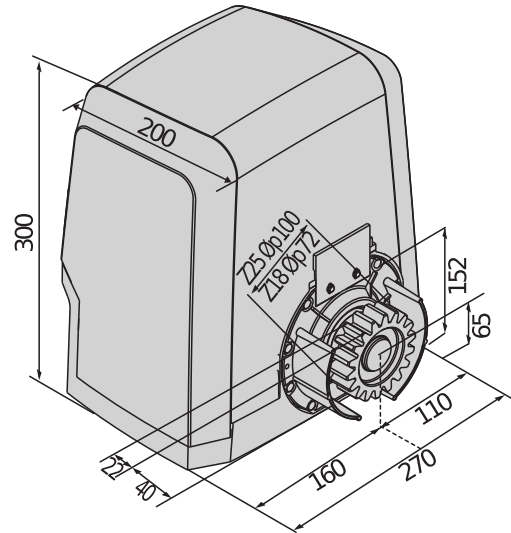




# ARES ULTRA BT A



## Sliding gate automation systems



24 V operator for sliding gates weighing up to 1,500 kg, for intensive use. Maximum panel speed up to 12m/min. Torque control thanks to D-Track technology. Magnetic limit switches for quicker installation, more precise and better integrated with the architecture of site. Control unit with display, preconfigured for communication with U-Link protocol. Residential and commercial use.

### Relevant features



**Magnetic limit switches:** this type of limit switch ensures safe and precise installations in any ambient condition



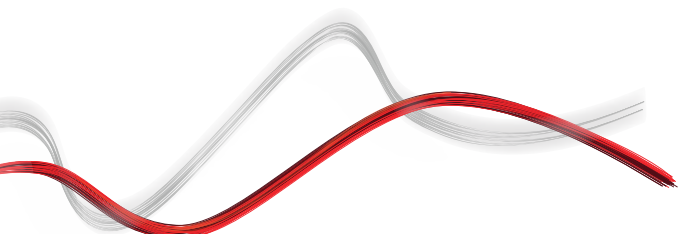
**Control unit with programming display:** the Merak control unit with programming display with pre-programmed scenarios helps the installer in the programming phase; the control unit is arranged in an oblique way, to facilitate reading and making the settings.



**Front screws:** this arrangement of the casing screws offers ease and convenience during installation and maintenance, even when there is limited space.



**Release lever with personalised key:** the release lever simplifies motor release and the personalized key ensures its uniqueness, for better safety





## Sliding gate automation systems



## ARES ULTRA BT A

Code	Ci	Name	Description	
P926193 00002	2600857	ARES ULTRA BT A1000	Operator 24 V for sliding gates up to 1000 kg in weight. Leaf speed 9 m/min. Magnetic limit switch. Control unit with display, preconfigured for communication with U-Link protocol.	U-Link
P926191 00002	2600502	ARES ULTRA BT A1500	Operator 24 V for sliding gates up to 1500 kg in weight. Leaf speed 9 m/min. Magnetic limit switch. Control unit with display, preconfigured for communication with U-Link protocol.	U-Link

	ARES ULTRA BT A1000	ARES ULTRA BT A1500
Control unit	MERAK ARES	MERAK ARES
Board power supply	230 V	230 V
Motor voltage	24 V	24 V
Power consumption	240 W	400 W
Max. door/gate weight	1000 kg	1500 kg
Gate panel speed	9 m/min	9 m/min
Type of limit switch	Magnetic	Magnetic
Pinion module	4	4
Slowdown	Yes	Yes
Locking	Mechanical	Mechanical
Release	Lever-operated with personal key	Lever-operated with personal key
Impact reaction	D-Track	D-Track
Frequency of use	intensive	intensive
Protection rating	IP44	IP44
Environmental conditions	-20 ÷ 55 °C	-20 ÷ 55 °C

## RECOMMENDED ACCESSORIES

	<b>Cp</b> D221073 - <b>Ci</b> 2600594 <b>CP</b> plastic rack, 4-module, cross-section 22 x 22 mm, length 1 m, screw-fitted into slots attachment Max. load capacity 600 kg.		<b>Cp</b> D571053 - <b>Ci</b> 9011069 <b>CVZ</b> steel rack, 4-module, cross-section 30 x 12 mm, length 1 m, screw-fitted on supports attachment Max. load capacity 1000 kg.
	<b>Cp</b> D114093 00003 - <b>Ci</b> 2607539 <b>RADIUS LED BT A R1</b> Flashing light with incorporated antenna for motors with 24 V power supply.		<b>Cp</b> P111782 - <b>Ci</b> 2601411 <b>COMPACTA A20-180</b> Pair of photocells adjustable 180° horizontally. 20 metre range. 12-33 VAC/15-35 VDC power supply.
	<b>Cp</b> P111468 - <b>Ci</b> 2600811 <b>B EBA RS 485 LINK</b> Expansion board for connection of central units with serial controls management		<b>Cp</b> P125035 - <b>Ci</b> 2600845 <b>SL BAT2</b> Emergency battery kit for Deimos BT A, Ares BT A, Deimos Ultra BT A, Ares Ultra BT A.



Sliding gate automation systems



Empowered by  
**U-LINK**

# EasyAXS

EASY CONNECT. EASY ACCESS.



The new connectivity solution which boosts the potential of BFT products and services to make access automations smarter and easier to use for both installers and end users.







Sliding gate automation systems



## EASY TO CONNECT

WIFI MODULE



→ 10/15 metres

WIFI MODULE + ANTENNA



→ 20/25 metres

MOBILE MODULE + ANTENNA + SIM



→ ∞



**PLUG&PLAY  
INSTALLATION**



**ALWAYS  
CONNECTED**



**EVEN MORE  
CONNECTIVITY**



**EASY TO SET UP  
FOR INSTALLERS**



**EASY TO CONTROL  
FOR CUSTOMERS**





Sliding gate automation systems



## U-LINK 2.0

AN UPDATED VERSION OF  
**U-LINK** TO GIVE YOU EVEN  
MORE FUNCTIONALITY



### Scalable

You can add as many devices as you want



### Intuitive

Easy to install and to use



### Functional

Settings can be controlled and firmware updated remotely using dedicated applications



### Practical

Works with or without an internet connection



### Flexible

It allows you to create groups of interconnected products

**U-Link**, the exclusive **BFT** technology platform has evolved to offer improved interaction with the latest generation of technological ecosystems. Its ability to interface with all home access automation access devices has been expanded, meaning it is now a very useful tool for installers. It is also a faster communication protocol with increased security for communicating information.

It allows you to save even more time, checking everything very easily and giving you even more peace of mind.



Sliding gate automation systems



Empowered by  
**U-LINK**

# **U-SECURITY**

## A NEW AND EVEN MORE SECURE RADIO PROTOCOL



### → **Secure**

By transmitting data protected by a cryptographic key

**U-Security** is the new technology from **BFT** which incorporates encrypted rolling code thanks to the encryption key which masks the remote control code, meaning that it is impossible to clone a BFT remote control using another brand's model.

The functions of the **Er Ready** system are incorporated and a new procedure is also available for programming remote controls by scanning a QR CODE and using a special app. All products featuring this technology are **REPLAY**, so they can transmit the code to another BFT remote control using a combination of keys.



### → **Easy**

Pairing a remote control with a receiver can be done easily by scanning the QR code and using the dedicated app



### → **Universal**

The radio protocol is also compatible with the previous generation of receivers

