



Be ahead

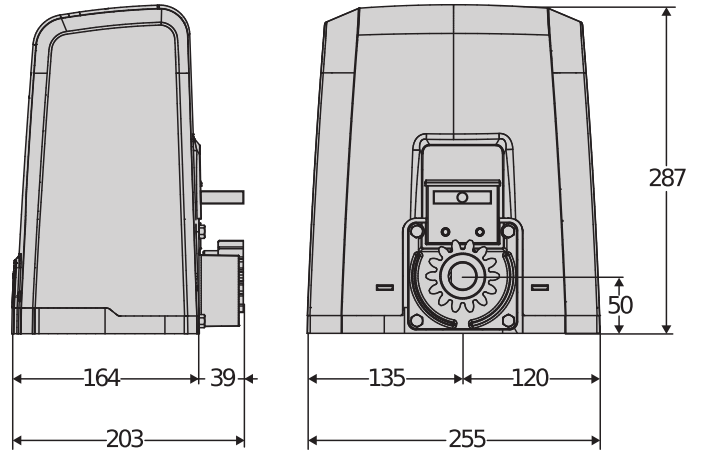


# DEIMOS AC A





## Sliding gate automation systems



230 V operator for sliding gates weighing up to 800 kg, for semi-intensive use. Maximum panel speed up to 11m/min. Electromechanical limit switch. Control unit with trimmer and dip-switch. Residential use.

### Relevant features



**Release lever with personalised key:** the release lever simplifies motor release and the personalized key ensures its uniqueness, for better safety



**Front screws:** this arrangement of the casing screws offers ease and convenience during installation and maintenance, even when there is limited space.



## Sliding gate automation systems

### DEIMOS AC A

Code	Ci	Name	Description
P925230 00002	2611600	DEIMOS AC A600	Operator 230 V for sliding gates up to 600 kg in weight. Leaf speed 9 m/min. Limit switch Electromechanical. Trimmer and dip switch control unit.
P925230 00005	2611602	DEIMOS AC A600 SQ	Operator 230 V for sliding gates up to 600 kg in weight. Leaf speed 9 m/min. Limit switch Electromechanical.
P925230 00003	2611601	DEIMOS AC A600 V	Operator 230 V for sliding gates up to 370 kg in weight. Leaf speed 11 m/min. Limit switch Electromechanical. Trimmer and dip switch control unit.
P925230 00001	2611599	DEIMOS AC A600 120	Operator 120 V for sliding gates up to 600 kg in weight. Leaf speed 9 m/min. Limit switch Electromechanical. Trimmer and dip switch control unit.
P925230 00004	2612719	DEIMOS AC A600 120 V	Operator 120 V for sliding gates up to 370 kg in weight. Leaf speed 11 m/min. Limit switch Electromechanical. Trimmer and dip switch control unit.
P925253 00002	2601006	DEIMOS AC A800 SL DN	Operator 230 V for sliding gates up to 800 kg in weight. Leaf speed 9 m/min. Limit switch Electromechanical. Trimmer and dip switch control unit.
P925231 00005	2611608	DEIMOS AC A800 SQ	Operator 230 V for sliding gates up to 800 kg in weight. Leaf speed 9 m/min. Limit switch Electromechanical.
P925253 00003	2611631	DEIMOS AC A800 V SL DN	Operator 230 V for sliding gates up to 400 kg in weight. Leaf speed 11 m/min. Limit switch Electromechanical. Trimmer and dip switch control unit.
P925253 00001	2611630	DEIMOS AC A800 120 SL DN	Operator 120 V for sliding gates up to 800 kg in weight. Leaf speed 9 m/min. Limit switch Electromechanical. Trimmer and dip switch control unit.
P925253 00004	2613177	DEIMOS AC A800 120 V SL DN	Operator 120 V for sliding gates up to 400 kg in weight. Leaf speed 11 m/min. Limit switch Electromechanical. Trimmer and dip switch control unit.
R925281 00002	2611830	DEIMOS AC KIT A600 FRA	Complete kit 230 V for sliding gates weighing up to 600 kg. Leaf speed 9 m/min.
R925283 00002	2611832	DEIMOS AC KIT A800 FRA	Complete kit 230 V for sliding gates weighing up to 800 kg. Leaf speed 9 m/min. Limit switch Electromechanical. Trimmer and dip switch control unit.
R925332 00002	2611867	DEIMOS AC KIT A800 INT SL DN	Complete kit 230 V for sliding gates weighing up to 800 kg. Leaf speed 9 m/min. Limit switch Electromechanical. Trimmer and dip switch control unit.

#### SHYRA AC: SHYRA AC control panel

SHYRA AC - **Cp** I700044 10001 - **Ci** 2610718 - Built-in - (Spare part code, available for order through the Technical Support network)



- Main features: removable terminal blocks, settings controlled by potentiometers, LED-based fault reporting and incorporated dual channel receiver, two safety verified inputs, one of which dedicated to 8k2 safety edge.
- Control panel for DEIMOS AC A800 sliding gate operator range.
- Panel power supply: 230 V, single-phase
- Operator power supply: 230 V single-phase, max. 500 W
- Main functions: pedestrian opening (only by remote control), quick closing, pulse blocking

#### SHYRA-F-800SLDN: SHYRA-F AC control panel

SHYRA-F-800SLDN - **Cp** I700081 10001 - **Ci** 2610736 - Built-in - (Spare part code, available for order through the Technical Support network)



- Control panel for DEIMOS AC A600 range of sliding operators
- Main features: removable terminal blocks, settings controlled by potentiometers, LED-based fault reporting and incorporated dual channel receiver, electronic clutch management via trimmer, two verified safety inputs, one of which dedicated to 8k2 safety edge.
- Panel power supply: 230 V, single-phase
- Operator power supply: 230 V single-phase, max. 500 W
- Main functions: pedestrian opening (only by remote control), quick closing, pulse blocking

	DEIMOS AC A600	DEIMOS AC A600 SQ	DEIMOS AC A600 V	DEIMOS AC A600 120
Control unit	SHYRA AC	Not present	SHYRA AC	SHYRA AC
Board power supply	230 V	230 V	230 V	230 V
Motor voltage	230 V	230 V	230 V	120 V
Power consumption	400 W	400 W	400 W	400 W
Max. door/gate weight	600 kg	600 kg	370 kg	600 kg

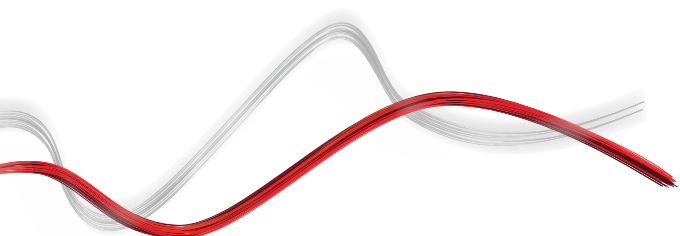


## Sliding gate automation systems

	DEIMOS AC A600	DEIMOS AC A600 SQ	DEIMOS AC A600 V	DEIMOS AC A600 120
Gate panel speed	9 m/min	9 m/min	11 m/min	9 m/min
Type of limit switch	Electromechanical	Electromechanical	Electromechanical	Electromechanical
Pinion module	4	4	4	4
Slowdown	no	no	no	no
Locking	Mechanical	Mechanical	Mechanical	Mechanical
Release	Lever-operated with personal key	Lever-operated with personal key	Lever-operated with personal key	Lever-operated with personal key
Impact reaction	Mechanical clutch	Mechanical clutch	Mechanical clutch	Mechanical clutch
Frequency of use	Semi intensive	Semi intensive	Semi intensive	Semi intensive
Protection rating	IP24	IP24	IP24	IP24
Environmental conditions	-20 ÷ 55 °C	-20 ÷ 55 °C	-20 ÷ 55 °C	-20 ÷ 55 °C

	DEIMOS AC A600 120 V	DEIMOS AC A800 SL DN	DEIMOS AC A800 SQ	DEIMOS AC A800 V SL DN
Control unit	SHYRA AC	SHYRA-F-800SLDN	Not present	SHYRA-F-800SLDN
Board power supply	230 V	230 V	230 V	230 V
Motor voltage	120 V	230 V	230 V	230 V
Power consumption	400 W	300 W	400 W	300 W
Max. door/gate weight	370 kg	800 kg	800 kg	400 kg
Gate panel speed	11 m/min	9 m/min	9 m/min	11 m/min
Type of limit switch	Electromechanical	Electromechanical	Electromechanical	Electromechanical
Pinion module	4	4	4	4
Slowdown	no	Yes	no	Yes
Locking	Mechanical	Mechanical	Mechanical	Mechanical
Release	Lever-operated with personal key	Lever-operated with personal key	Lever-operated with personal key	Lever-operated with personal key
Impact reaction	Mechanical clutch	Electronic clutch	Electronic clutch	Electronic clutch
Frequency of use	Semi intensive	Semi intensive	Semi intensive	Semi intensive
Protection rating	IP24	IP24	IP24	IP24
Environmental conditions	-20 ÷ 55 °C	-20 ÷ 55 °C	-20 ÷ 55 °C	-20 ÷ 55 °C

	DEIMOS AC A800 120 SL DN	DEIMOS AC A800 120 V SL DN
Control unit	SHYRA-F-800SLDN	SHYRA-F-800SLDN
Board power supply	230 V	230 V
Motor voltage	120 V	120 V
Power consumption	300 W	300 W
Max. door/gate weight	800 kg	400 kg
Gate panel speed	9 m/min	11 m/min
Type of limit switch	Electromechanical	Electromechanical
Pinion module	4	4
Slowdown	Yes	Yes
Locking	Mechanical	Mechanical
Release	Lever-operated with personal key	Lever-operated with personal key
Impact reaction	Electronic clutch	Electronic clutch
Frequency of use	Semi intensive	Semi intensive
Protection rating	IP24	IP24
Environmental conditions	-20 ÷ 55 °C	-20 ÷ 55 °C

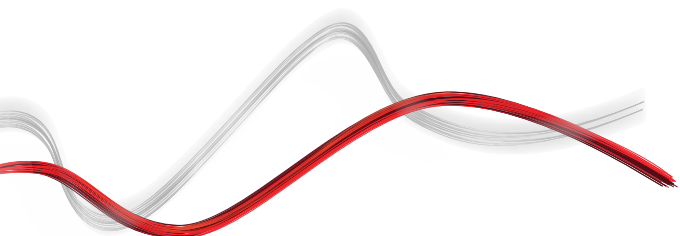




## Sliding gate automation systems

### RECOMMENDED ACCESSORIES

	<p><b>Cp</b> D221073 - <b>Ci</b> 2600594 <b>CP</b></p> <p>plastic rack, 4-module, cross-section 22 x 22 mm, length 1 m, screw-fitted into slots attachment Max. load capacity 600 kg.</p>		<p><b>Cp</b> N999151 - <b>Ci</b> 2611076 <b>SFD</b></p> <p>Base plate for DEIMOS series (supplied with operator)</p>
	<p><b>Cp</b> N999320 - <b>Ci</b> 2611083 <b>CVZ-S</b></p> <p>steel rack, 4-module, cross-section 30 x 8 mm, length 1 m, screw-fitted on supports attachment Max. load capacity 800 kg.</p>		<p><b>Cp</b> D114093 00002 - <b>Ci</b> 2607538 <b>RADIUS LED AC A R1</b></p> <p>Flashing light with incorporated antenna for motors with 230 V power supply.</p>
	<p><b>Cp</b> D114094 00002 - <b>Ci</b> 2607540 <b>RADIUS LED AC A R0</b></p> <p>Flashing light without incorporated antenna for motors with 230 V power supply.</p>		<p><b>Cp</b> P111782 - <b>Ci</b> 2601411 <b>COMPACTA A20-180</b></p> <p>Pair of photocells adjustable 180° horizontally. 20 metre range. 12-33 VAC/15-35 VDC power supply.</p>
	<p><b>Cp</b> D571053 - <b>Ci</b> 9011069 <b>CVZ</b></p> <p>steel rack, 4-module, cross-section 30 x 12 mm, length 1 m, screw-fitted on supports attachment Max. load capacity 1000 kg.</p>		





Sliding gate automation systems

# EasyAXS

EASY CONNECT. EASY ACCESS.



The new connectivity solution which boosts the potential of BFT products and services to make access automations smarter and easier to use for both installers and end users.





Sliding gate automation systems

**EASY TO CONNECT**

WIFI MODULE



→ 10/15 metres

WIFI MODULE  
+ ANTENNA



→ 20/25 metres

MOBILE MODULE  
+ ANTENNA + SIM



→ ∞



**PLUG&PLAY  
INSTALLATION**



**ALWAYS  
CONNECTED**



**EVEN MORE  
CONNECTIVITY**



**EASY TO SET UP  
FOR INSTALLERS**



**EASY TO CONTROL  
FOR CUSTOMERS**





Sliding gate automation systems



# U-LINK 2.0

## AN UPDATED VERSION OF U-LINK TO GIVE YOU EVEN MORE FUNCTIONALITY



### Scalable

You can add as many devices as you want



### Intuitive

Easy to install and to use



### Functional

Settings can be controlled and firmware updated remotely using dedicated applications



### Practical

Works with or without an internet connection



### Flexible

It allows you to create groups of interconnected products

**U-Link**, the exclusive **BFT** technology platform has evolved to offer improved interaction with the latest generation of technological ecosystems. Its ability to interface with all home access automation access devices has been expanded, meaning it is now a very useful tool for installers. It is also a faster communication protocol with increased security for communicating information.

It allows you to save even more time, checking everything very easily and giving you even more peace of mind.





Sliding gate automation systems

# U-SECURITY

## A NEW AND EVEN MORE SECURE RADIO PROTOCOL



### Secure

By transmitting data protected by a cryptographic key

**U-Security** is the new technology from **BFT** which incorporates encrypted rolling code thanks to the encryption key which masks the remote control code, meaning that it is impossible to clone a BFT remote control using another brand's model.

The functions of the **Er Ready** system are incorporated and a new procedure is also available for programming remote controls by scanning a QR CODE and using a special app. All products featuring this technology are **REPLAY**, so they can transmit the code to another BFT remote control using a combination of keys.



### Easy

Pairing a remote control with a receiver can be done easily by scanning the QR code and using the dedicated app



### Universal

The radio protocol is also compatible with the previous generation of receivers



INFORMATION REGARDING THE PROTECTION OF THE INDUSTRIAL AND INTELLECTUAL PROPERTY RIGHTS OF BFT. BFT S.p.A. protects its industrial property by depositing trademarks, patents, models and designs. The intellectual property of BFT S.p.A. is protected by copyright law. BFT S.p.A. also protects its know-how by taking measures to protect the technical and commercial information inherent in its company and products. All the products in this catalogue are ORIGINAL BFT MODELS and only BFT S.p.A. is authorised to produce them and market them anywhere in the world. All the commercial names in this catalogue are owned by BFT S.p.A., and only BFT S.p.A. is authorised to use them in relation to the corresponding merchandise category. **FALSIFIERS WILL BE PROCEEDED AGAINST IN ACCORDANCE WITH BOTH CIVIL AND CRIMINAL LAW. THESE CONDITIONS NOT ONLY GUARANTEE THE INTELLECTUAL PROPERTY RIGHTS OF BFT, BUT ALSO PROTECT CUSTOMERS BY GUARANTEEING THAT THE PRODUCTS THEY ARE PURCHASING ARE ORIGINAL BFT PRODUCTS RESULTING FROM STUDIES AND DESIGNS WITHIN THE BFT COMPANY.**