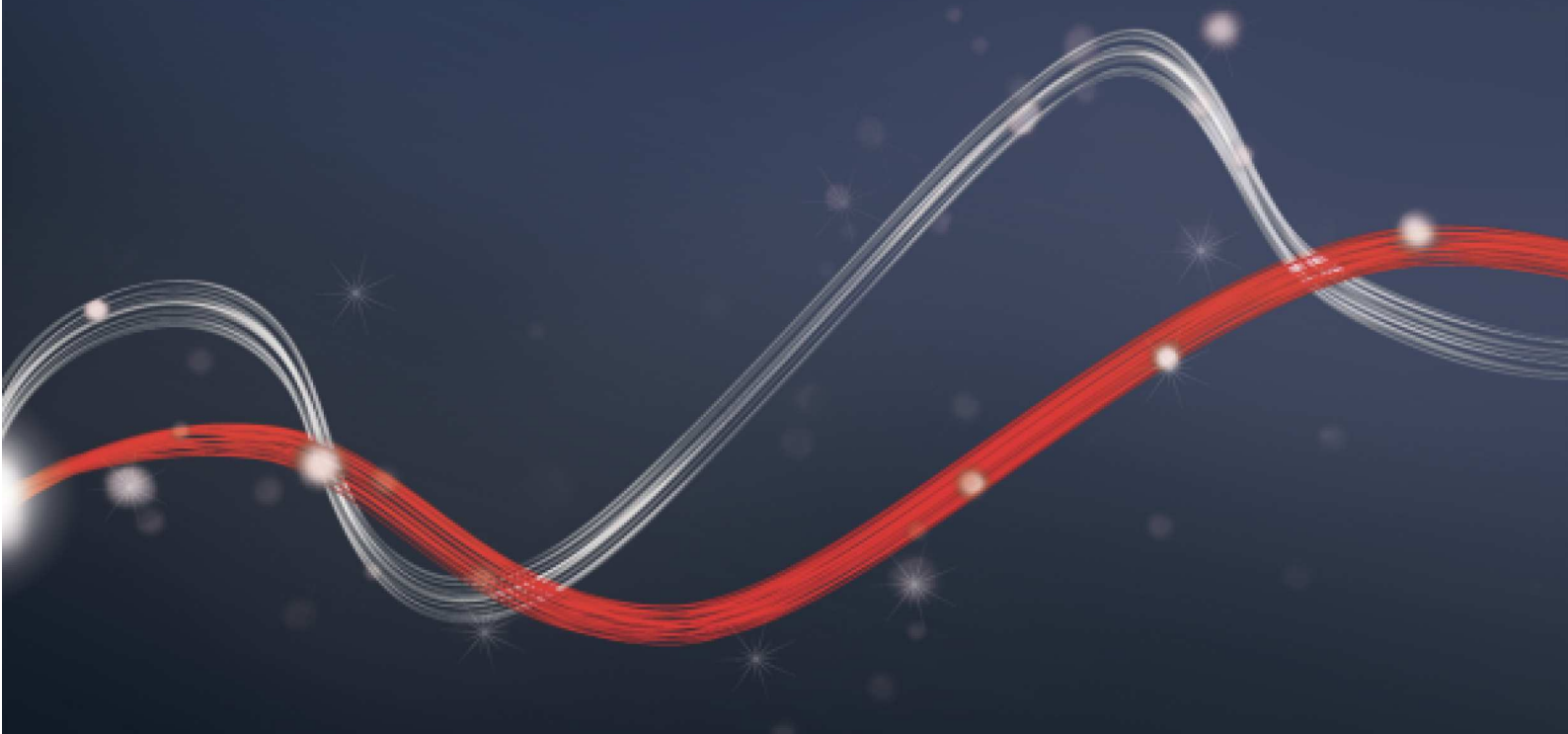




Be ahead



DEIMOS ULTRA BT A

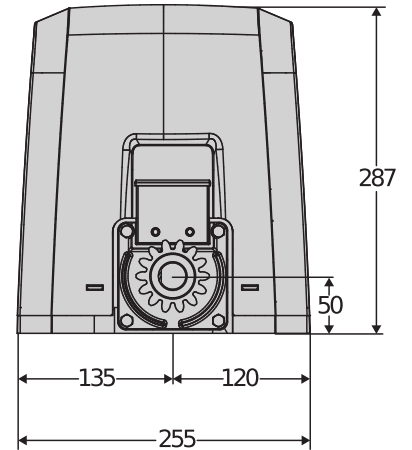
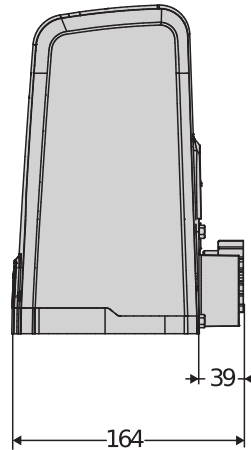




Sliding gate automation systems



Empowered by
U-LINK



24 V operator for sliding gates weighing up to 600 kg, for intensive use. Maximum panel speed up to 16m/min. Torque control thanks to D-Track technology. Magnetic limit switches for quicker installation, more precise and better integrated with the architecture of site. Control unit with display, preconfigured for communication with U-Link protocol. Residential use.

Relevant features



Magnetic limit switches: this type of limit switch ensures safe and precise installations in any ambient condition



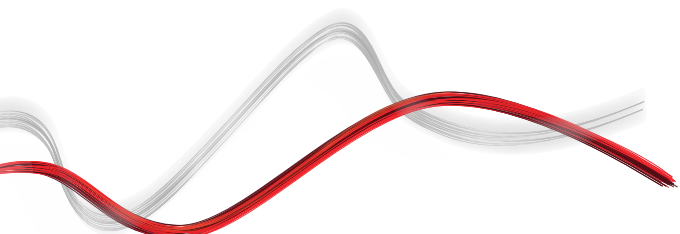
Control unit with programming display: the Merak control unit with programming display with pre-programmed scenarios helps the installer in the programming phase; the control unit is arranged in an oblique way, to facilitate reading and making the settings.



Front screws: this arrangement of the casing screws offers ease and convenience during installation and maintenance, even when there is limited space.



Release lever with personalised key: the release lever simplifies motor release and the personalized key ensures its uniqueness, for better safety





Sliding gate automation systems



DEIMOS ULTRA BT A

Code	Ci	Name	Description	
P925221 00002	2611580	DEIMOS ULTRA BT A400	Operator 24 V for sliding gates up to 400 kg in weight. Leaf speed 12 m/min. Limit switch Magnetic. Control unit with display, preconfigured for communication with U-Link protocol.	U-Link
P925221 00003	2611581	DEIMOS ULTRA BT A400 V	Operator 24 V for sliding gates up to 300 kg in weight. Leaf speed 16 m/min. Limit switch Magnetic. Control unit with display, preconfigured for communication with U-Link protocol.	U-Link
P925223 00002	2600852	DEIMOS ULTRA BT A600	Operator 24 V for sliding gates up to 600 kg in weight. Leaf speed 12 m/min. Magnetic limit switch. Control unit with display, preconfigured for communication with U-Link protocol.	U-Link
P925223 00003	2601022	DEIMOS ULTRA BT A600 V	Operator 24 V for sliding gates up to 360 kg in weight. Leaf speed 16 m/min. Limit switch Magnetic. Control unit with display, preconfigured for communication with U-Link protocol.	U-Link
R925265 00002	2611817	DEIMOS ULTRA BT KIT A400 FRA	Complete kit 24 V for sliding gates weighing up to 400 kg. Leaf speed 12 m/min. U-Link and Magnetic limit switch	U-Link
R925269 00002	2600881	DEIMOS ULTRA BT KIT A600 FRA	Complete kit 24 V for sliding gates weighing up to 600 kg. Leaf speed 12 m/min. U-Link and Magnetic limit switch	U-Link

MERAK 400: Incorporated control unit for one 24V operator for sliding gates

MERAK 400 - Cp I700005 10001 - Ci 2610699 - Built-in - (Spare part code, available for order through the Technical Support network)



- Incorporated control unit for one 24V operator for sliding gates
- Card power supply: 230 V single-phase
- Operator power supply: 24V 80W
- Main functions:: automatic closing, quick closing, pedestrian passage, people-present operation, maintenance warnings.
- Compatibility: HQSC-D, QSC-D MA
- Principal features: removable terminal boards with new colour standard, simplified scenario programming with display, integrated dual channel receiver, protection against crushing based on D-Track system, slowdown during opening and closing

MERAK 600: Incorporated control unit for one 24V operator for sliding gates

MERAK 600 - Cp I700006 10001 - Ci 2600760 - Built-in - (Spare part code, available for order through the Technical Support network)



- Incorporated control unit for one 24V operator for sliding gates
- Card power supply: 230 V single-phase
- Operator power supply: 24V 80W
- Main functions:: automatic closing, quick closing, pedestrian passage, people-present operation, maintenance warnings.
- Compatibility: HQSC-D, QSC-D MA
- Principal features: removable terminal boards with new colour standard, simplified scenario programming with display, integrated dual channel receiver, protection against crushing based on D-Track system, slowdown during opening and closing

	DEIMOS ULTRA BT A400	DEIMOS ULTRA BT A400 V	DEIMOS ULTRA BT A600	DEIMOS ULTRA BT A600 V
Control unit	MERAK SL1	MERAK SL1	MERAK SL2	MERAK SL2
Board power supply	230 V	230 V	230 V	230 V
Motor voltage	24 V	24 V	24 V	24 V
Power consumption	50 W	50 W	70 W	70 W
Max. door/gate weight	400 kg	300 kg	600 kg	360 kg
Gate panel speed	12 m/min	16 m/min	12 m/min	16 m/min
Type of limit switch	Magnetic	Magnetic	Magnetic	Magnetic
Pinion module	4	4	4	4
Slowdown	Yes	Yes	Yes	Yes
Locking	Mechanical	Mechanical	Mechanical	Mechanical
Release	Lever-operated with personal key	Lever-operated with personal key	Lever-operated with personal key	Lever-operated with personal key
Impact reaction	D-Track	D-Track	D-Track	D-Track
Frequency of use	intensive	intensive	intensive	intensive



DEIMOS ULTRA BT A



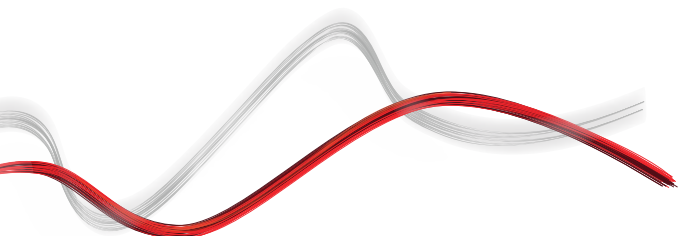
Sliding gate automation systems



	DEIMOS ULTRA BT A400	DEIMOS ULTRA BT A400 V	DEIMOS ULTRA BT A600	DEIMOS ULTRA BT A600 V
Protection rating	IP44	IP44	IP44	IP44
Environmental conditions	-20 ÷ 55 °C	-20 ÷ 55 °C	-20 ÷ 55 °C	-20 ÷ 55 °C

RECOMMENDED ACCESSORIES

	Cp D114093 00003 - Ci 2607539 RADIUS LED BT A R1 Flashing light with incorporated antenna for motors with 24 V power supply.		Cp D114168 00003 - Ci 2607544 RADIUS LED BT A R1 W Flashing light with incorporated antenna for motors with 24 V power supply. White flashing light.
	Cp D114094 00003 - Ci 2607541 RADIUS LED BT A R0 Flashing light without incorporated antenna for motors with 24 V power supply.		Cp D221073 - Ci 2600594 CP plastic rack, 4-module, cross-section 22 x 22 mm, length 1 m, screw-fitted into slots attachment Max. load capacity 600 kg.
	Cp D571053 - Ci 9011069 CVZ steel rack, 4-module, cross-section 30 x 12 mm, length 1 m, screw-fitted on supports attachment Max. load capacity 1000 kg.		Cp P111782 - Ci 2601411 COMPACTA A20-180 Pair of photocells adjustable 180° horizontally. 20 metre range. 12-33 VAC/15-35 VDC power supply.
	Cp N999320 - Ci 2611083 CVZ-S steel rack, 4-module, cross-section 30 x 8 mm, length 1 m, screw-fitted on supports attachment Max. load capacity 800 kg.		Cp N999151 - Ci 2611076 SFD Base plate for DEIMOS series (supplied with operator)
	 Cp P111468 - Ci 2600811 B EBA RS 485 LINK Expansion board for connection of central units with serial controls management		Cp P125035 - Ci 2600845 SL BAT2 Emergency battery kit for Deimos BT A, Ares BT A, Deimos Ultra BT A, Ares Ultra BT A.





Sliding gate automation systems



Empowered by
U-LINK

EasyAXS

EASY CONNECT. EASY ACCESS.



The new connectivity solution which boosts the potential of BFT products and services to make access automations smarter and easier to use for both installers and end users.

1



EASY TO CONNECT



PLUG&PLAY
CONNECTIVITY MODULE
FOR QUICKLY CONNECTING
BFT SOLUTIONS



2

EASY TO SET UP



CONFIGURATION
AND
MANAGEMENT OF
THE MOTOR WITH
THE **EasyAXS app**

3

EASY TO CONTROL



TaHoma app
TO PROVIDE CUSTOMERS
WITH A SMART SOLUTION
FOR ACCESSING THEIR
HOMES





Sliding gate automation systems



EASY TO CONNECT

WIFI MODULE



→ 10/15 metres

WIFI MODULE + ANTENNA



→ 20/25 metres

MOBILE MODULE + ANTENNA + SIM



→ ∞



**PLUG&PLAY
INSTALLATION**



**ALWAYS
CONNECTED**



**EVEN MORE
CONNECTIVITY**



**EASY TO SET UP
FOR INSTALLERS**



**EASY TO CONTROL
FOR CUSTOMERS**





Sliding gate automation systems

Empowered by
U-LINK



U-LINK 2.0

AN UPDATED VERSION OF
U-LINK TO GIVE YOU EVEN
MORE FUNCTIONALITY



Scalable

You can add as many devices as you want



Intuitive

Easy to install and to use



Functional

Settings can be controlled and firmware updated remotely using dedicated applications



Practical

Works with or without an internet connection



Flexible

It allows you to create groups of interconnected products

U-Link, the exclusive **BFT** technology platform has evolved to offer improved interaction with the latest generation of technological ecosystems. Its ability to interface with all home access automation access devices has been expanded, meaning it is now a very useful tool for installers. It is also a faster communication protocol with increased security for communicating information.

It allows you to save even more time, checking everything very easily and giving you even more peace of mind.



Sliding gate automation systems



Empowered by
U-LINK

U-SECURITY

A NEW AND EVEN MORE SECURE RADIO PROTOCOL



→ **Secure**

By transmitting data protected by a cryptographic key

U-Security is the new technology from **BFT** which incorporates encrypted rolling code thanks to the encryption key which masks the remote control code, meaning that it is impossible to clone a BFT remote control using another brand's model.

The functions of the **Er Ready** system are incorporated and a new procedure is also available for programming remote controls by scanning a QR CODE and using a special app. All products featuring this technology are **REPLAY**, so they can transmit the code to another BFT remote control using a combination of keys.



→ **Easy**

Pairing a remote control with a receiver can be done easily by scanning the QR code and using the dedicated app



→ **Universal**

The radio protocol is also compatible with the previous generation of receivers



INFORMATION REGARDING THE PROTECTION OF THE INDUSTRIAL AND INTELLECTUAL PROPERTY RIGHTS OF BFT. BFT S.p.A. protects its industrial property by depositing trademarks, patents, models and designs. The intellectual property of BFT S.p.A. is protected by copyright law. BFT S.p.A. also protects its know-how by taking measures to protect the technical and commercial information inherent in its company and products. All the products in this catalogue are ORIGINAL BFT MODELS and only BFT S.p.A. is authorised to produce them and market them anywhere in the world. All the commercial names in this catalogue are owned by BFT S.p.A., and only BFT S.p.A. is authorised to use them in relation to the corresponding merchandise category. **FALSIFIERS WILL BE PROCEEDED AGAINST IN ACCORDANCE WITH BOTH CIVIL AND CRIMINAL LAW. THESE CONDITIONS NOT ONLY GUARANTEE THE INTELLECTUAL PROPERTY RIGHTS OF BFT, BUT ALSO PROTECT CUSTOMERS BY GUARANTEEING THAT THE PRODUCTS THEY ARE PURCHASING ARE ORIGINAL BFT PRODUCTS RESULTING FROM STUDIES AND DESIGNS WITHIN THE BFT COMPANY.**