



Be ahead



# DEIMOS ULTRA BT A





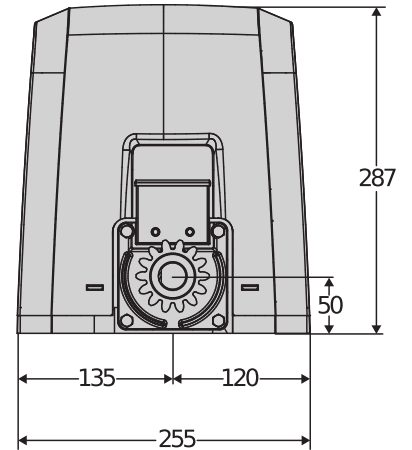
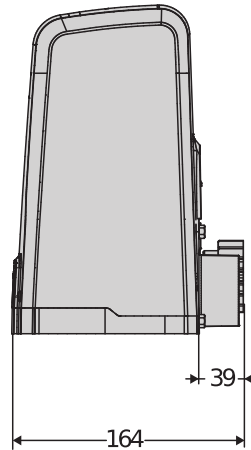
# DEIMOS ULTRA BT A



## Sliding gate automation systems



Empowered by  
**U-LINK**



24 V operator for sliding gates weighing up to 600 kg, for intensive use. Maximum panel speed up to 16m/min. Torque control thanks to D-Track technology. Magnetic limit switches for quicker installation, more precise and better integrated with the architecture of site. Control unit with display, preconfigured for communication with U-Link protocol. Residential use.

### Relevant features



**Magnetic limit switches:** this type of limit switch ensures safe and precise installations in any ambient condition



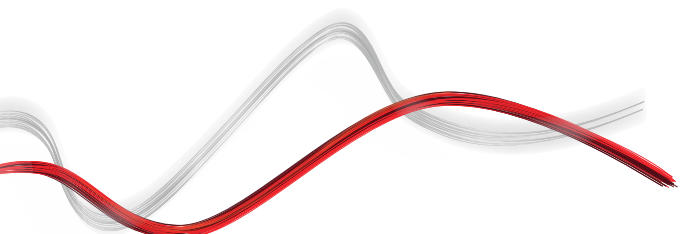
**Control unit with programming display:** the Merak control unit with programming display with pre-programmed scenarios helps the installer in the programming phase; the control unit is arranged in an oblique way, to facilitate reading and making the settings.



**Front screws:** this arrangement of the casing screws offers ease and convenience during installation and maintenance, even when there is limited space.



**Release lever with personalised key:** the release lever simplifies motor release and the personalized key ensures its uniqueness, for better safety





## Sliding gate automation systems



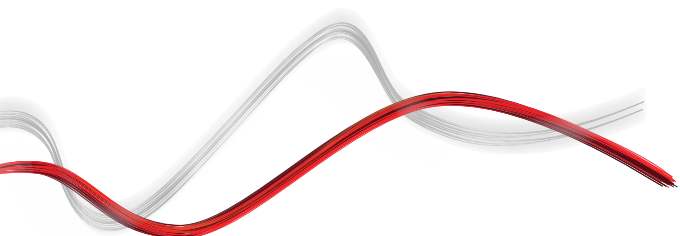
## DEIMOS ULTRA BT A

Code	Ci	Name	Description	
P925223 00002	2600852	DEIMOS ULTRA BT A600	Operator 24 V for sliding gates up to 600 kg in weight. Leaf speed 12 m/min. Magnetic limit switch. Control unit with display, preconfigured for communication with U-Link protocol.	U-Link
R925269 00002	2600881	DEIMOS ULTRA BT KIT A600 FRA	Complete kit 24 V for sliding gates weighing up to 600 kg. Leaf speed 12 m/min. U-Link and Magnetic limit switch	U-Link

	DEIMOS ULTRA BT A600
Control unit	MERAK SL2
Board power supply	230 V
Motor voltage	24 V
Power consumption	70 W
Max. door/gate weight	600 kg
Gate panel speed	12 m/min
Type of limit switch	Magnetic
Pinion module	4
Slowdown	Yes
Locking	Mechanical
Release	Lever-operated with personal key
Impact reaction	D-Track
Frequency of use	intensive
Protection rating	IP44
Environmental conditions	-20 ÷ 55 °C

## RECOMMENDED ACCESSORIES

	<b>Cp</b> D114093 00003 - <b>Ci</b> 2607539 <b>RADIUS LED BT A R1</b> Flashing light with incorporated antenna for motors with 24 V power supply.		<b>Cp</b> D221073 - <b>Ci</b> 2600594 <b>CP</b> plastic rack, 4-module, cross-section 22 x 22 mm, length 1 m, screw-fitted into slots attachment Max. load capacity 600 kg.
	<b>Cp</b> D571053 - <b>Ci</b> 9011069 <b>CVZ</b> steel rack, 4-module, cross-section 30 x 12 mm, length 1 m, screw-fitted on supports attachment Max. load capacity 1000 kg.		<b>Cp</b> P111782 - <b>Ci</b> 2601411 <b>COMPACTA A20-180</b> Pair of photocells adjustable 180° horizontally. 20 metre range. 12-33 VAC/15-35 VDC power supply.
	<b>Cp</b> P111468 - <b>Ci</b> 2600811 <b>B EBA RS 485 LINK</b> Expansion board for connection of central units with serial controls management		<b>Cp</b> P125035 - <b>Ci</b> 2600845 <b>SL BAT2</b> Emergency battery kit for Deimos BT A, Ares BT A, Deimos Ultra BT A, Ares Ultra BT A.





Sliding gate automation systems



Empowered by  
**U-LINK**

# EasyAXS

EASY CONNECT. EASY ACCESS.



The new connectivity solution which boosts the potential of BFT products and services to make access automations smarter and easier to use for both installers and end users.





Sliding gate automation systems



## EASY TO CONNECT

WIFI MODULE



→ 10/15 metres

WIFI MODULE + ANTENNA



→ 20/25 metres

MOBILE MODULE + ANTENNA + SIM



→ ∞



**PLUG&PLAY  
INSTALLATION**



**ALWAYS  
CONNECTED**



**EVEN MORE  
CONNECTIVITY**



**EASY TO SET UP  
FOR INSTALLERS**



**EASY TO CONTROL  
FOR CUSTOMERS**







Sliding gate automation systems



Empowered by  
**U-LINK**



# U-LINK 2.0

AN UPDATED VERSION OF  
**U-LINK** TO GIVE YOU EVEN  
MORE FUNCTIONALITY



## Scalable

You can add as many devices as you want



## Intuitive

Easy to install and to use



## Functional

Settings can be controlled and firmware updated remotely using dedicated applications



## Practical

Works with or without an internet connection



## Flexible

It allows you to create groups of interconnected products

**U-Link**, the exclusive **BFT** technology platform has evolved to offer improved interaction with the latest generation of technological ecosystems. Its ability to interface with all home access automation access devices has been expanded, meaning it is now a very useful tool for installers. It is also a faster communication protocol with increased security for communicating information.

It allows you to save even more time, checking everything very easily and giving you even more peace of mind.



Sliding gate automation systems



Empowered by  
**U-LINK**

# **U-SECURITY**

## A NEW AND EVEN MORE SECURE RADIO PROTOCOL



### → **Secure**

By transmitting data protected by a cryptographic key

**U-Security** is the new technology from **BFT** which incorporates encrypted rolling code thanks to the encryption key which masks the remote control code, meaning that it is impossible to clone a BFT remote control using another brand's model.

The functions of the **Er Ready** system are incorporated and a new procedure is also available for programming remote controls by scanning a QR CODE and using a special app. All products featuring this technology are **REPLAY**, so they can transmit the code to another BFT remote control using a combination of keys.



### → **Easy**

Pairing a remote control with a receiver can be done easily by scanning the QR code and using the dedicated app



### → **Universal**

The radio protocol is also compatible with the previous generation of receivers



INFORMATION REGARDING THE PROTECTION OF THE INDUSTRIAL AND INTELLECTUAL PROPERTY RIGHTS OF BFT. BFT S.p.A. protects its industrial property by depositing trademarks, patents, models and designs. The intellectual property of BFT S.p.A. is protected by copyright law. BFT S.p.A. also protects its know-how by taking measures to protect the technical and commercial information inherent in its company and products. All the products in this catalogue are ORIGINAL BFT MODELS and only BFT S.p.A. is authorised to produce them and market them anywhere in the world. All the commercial names in this catalogue are owned by BFT S.p.A., and only BFT S.p.A. is authorised to use them in relation to the corresponding merchandise category. **FALSIFIERS WILL BE PROCEEDED AGAINST IN ACCORDANCE WITH BOTH CIVIL AND CRIMINAL LAW. THESE CONDITIONS NOT ONLY GUARANTEE THE INTELLECTUAL PROPERTY RIGHTS OF BFT, BUT ALSO PROTECT CUSTOMERS BY GUARANTEEING THAT THE PRODUCTS THEY ARE PURCHASING ARE ORIGINAL BFT PRODUCTS RESULTING FROM STUDIES AND DESIGNS WITHIN THE BFT COMPANY.**