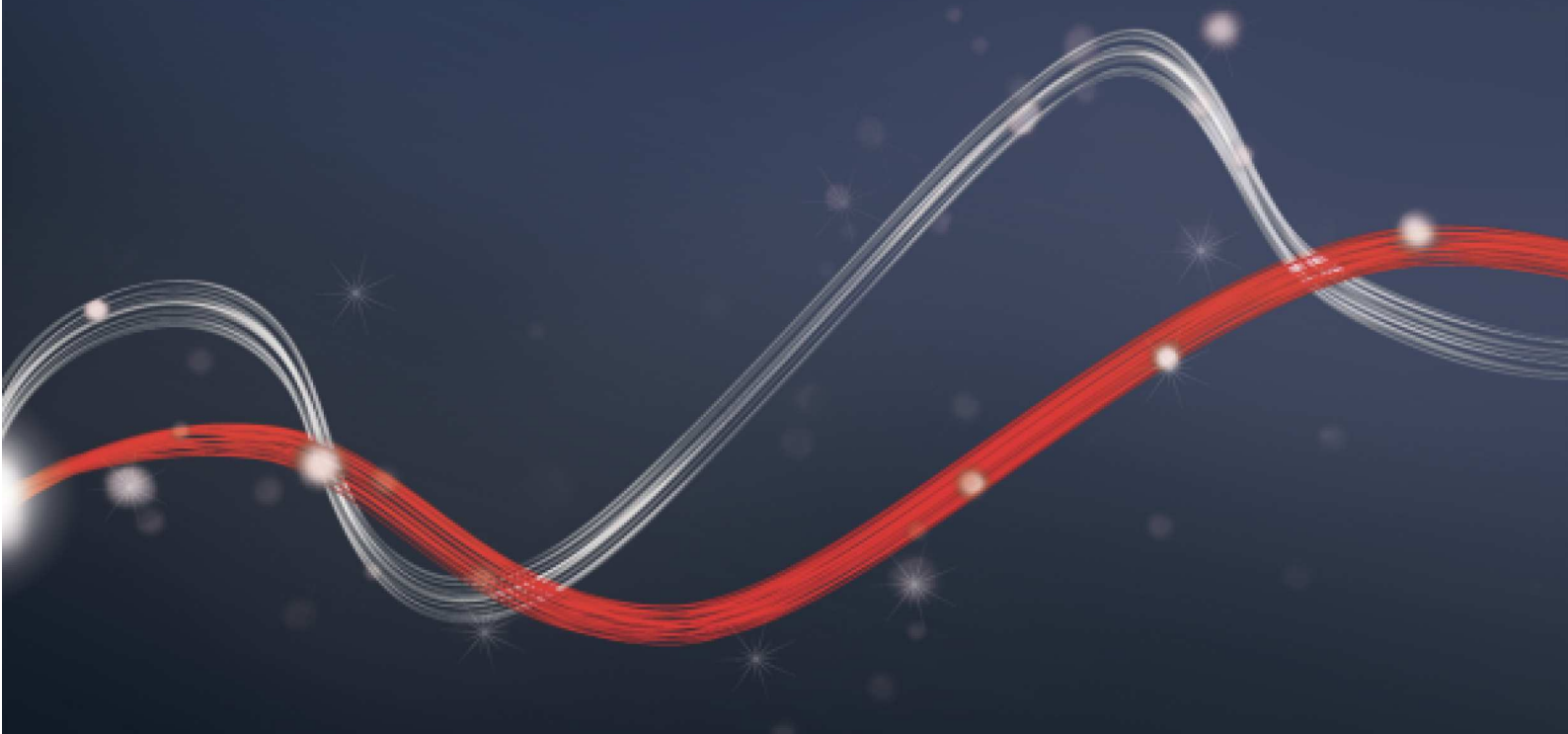




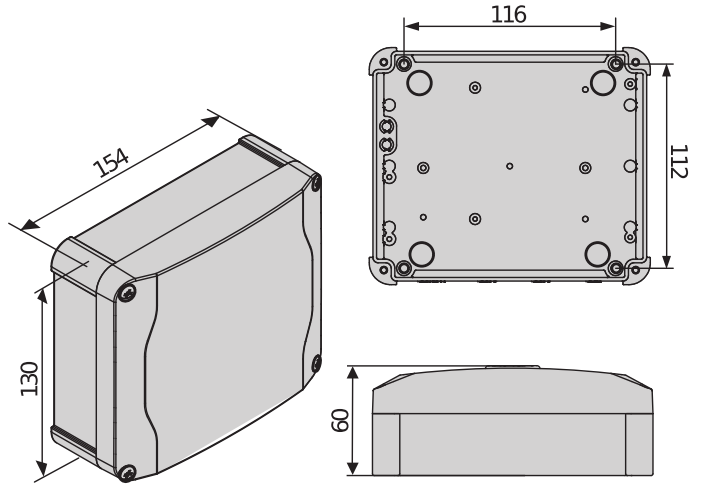
Be ahead



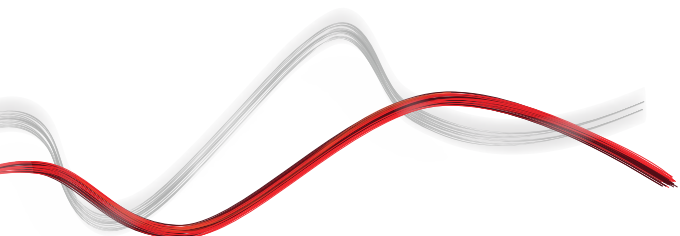
CLONIX



Remote control receiver



External radio receiver in panel, 433 MHz, rolling code.
 Depending on the model, it can control 1 or 2 outputs via relays.
 The Ultra versions have one or more slots for B-EBA expansion cards for multi-protocol communication.



Remote control receiver



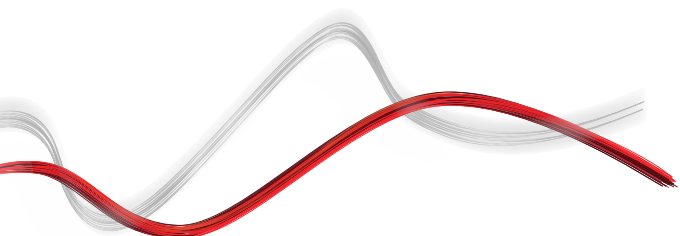
CLONIX

Code	Ci	Name	Description
D113718 00002	2600581	CLONIX 4 RTE	External 4-channel 433 MHz rolling code receiver. 230 V power supply.
D113674 00001	2600578	CLONIX 2E	External two-channel 433 MHz rolling code receiver. 128 position memory. 24 V power supply.

	CLONIX 4 RTE	CLONIX 2E
Power supply	230 V	24 V
Frequency	433 MHz	433 MHz
Environmental conditions	-20 ÷ 55 °C	-20 ÷ 55 °C
U-Link	no	no

RECOMMENDED ACCESSORIES

<p>Cp P111494 - Ci 2600812 B EBA WI-FI GATEWAY</p> <p>Expansion card for connecting a U-Link device to a domestic wifi network. Connected operators can be controlled, even remotely, using the U-Control application available for Android and iOS smartphones.</p>	<p>Cp P111469 - Ci 2611272 B EBA BLUE GATEWAY</p> <p>Expansion board for BLUETOOTH connection management</p>
<p>Cp P111530 - Ci 2611273 B EBA RS 485 GATEWAY</p> <p>GATEWAY expansion card for management of RS 485 connection</p>	<p>Cp P111468 - Ci 2600811 B EBA RS 485 LINK</p> <p>Expansion board for connection of central units with serial controls management</p>
<p>Cp D113805 00002 - Ci 2607511 B EBA TCP/IP GATEWAY</p> <p>Gateway expansion card to connect automation systems in TCP/IP networks via U-Link slot. It manages up to 120 U-Link devices connected via B EBA RS-485 Link.</p>	<p>Cp P111510 - Ci 2600991 U-BASE 2 PC</p> <p>Management and programming software for Bft control units and receivers. Version for PC, Bluetooth connection</p>



Remote control receiver



Empowered by
U-LINK

EasyAXS

EASY CONNECT. EASY ACCESS.



The new connectivity solution which boosts the potential of BFT products and services to make access automations smarter and easier to use for both installers and end users.

1



EASY TO CONNECT



PLUG&PLAY
CONNECTIVITY MODULE
FOR QUICKLY CONNECTING
BFT SOLUTIONS



2

EASY TO SET UP



CONFIGURATION
AND
MANAGEMENT OF
THE MOTOR WITH
THE **EasyAXS app**

3

EASY TO CONTROL



TaHoma app
TO PROVIDE CUSTOMERS
WITH A SMART SOLUTION
FOR ACCESSING THEIR
HOMES



Remote control receiver



EASY TO CONNECT

WIFI MODULE



→ 10/15 metres

WIFI MODULE + ANTENNA



→ 20/25 metres

MOBILE MODULE + ANTENNA + SIM



→ ∞



**PLUG&PLAY
INSTALLATION**



**ALWAYS
CONNECTED**



**EVEN MORE
CONNECTIVITY**



**EASY TO SET UP
FOR INSTALLERS**



**EASY TO CONTROL
FOR CUSTOMERS**



Remote control receiver



Empowered by
U-LINK



U-LINK 2.0

AN UPDATED VERSION OF
U-LINK TO GIVE YOU EVEN
MORE FUNCTIONALITY



Scalable

You can add as many devices as you want



Intuitive

Easy to install and to use



Functional

Settings can be controlled and firmware updated remotely using dedicated applications



Practical

Works with or without an internet connection



Flexible

It allows you to create groups of interconnected products

U-Link, the exclusive **BFT** technology platform has evolved to offer improved interaction with the latest generation of technological ecosystems. Its ability to interface with all home access automation access devices has been expanded, meaning it is now a very useful tool for installers. It is also a faster communication protocol with increased security for communicating information.

It allows you to save even more time, checking everything very easily and giving you even more peace of mind.

Remote control receiver

Empowered by
U-LINK

U-SECURITY

A NEW AND EVEN MORE SECURE RADIO PROTOCOL



→ **Secure**
By transmitting data protected by a cryptographic key

U-Security is the new technology from **BFT** which incorporates encrypted rolling code thanks to the encryption key which masks the remote control code, meaning that it is impossible to clone a BFT remote control using another brand's model.

The functions of the **Er Ready** system are incorporated and a new procedure is also available for programming remote controls by scanning a QR CODE and using a special app. All products featuring this technology are **REPLAY**, so they can transmit the code to another BFT remote control using a combination of keys.



→ **Easy**
Pairing a remote control with a receiver can be done easily by scanning the QR code and using the dedicated app



→ **Universal**
The radio protocol is also compatible with the previous generation of receivers



INFORMATION REGARDING THE PROTECTION OF THE INDUSTRIAL AND INTELLECTUAL PROPERTY RIGHTS OF BFT. BFT S.p.A. protects its industrial property by depositing trademarks, patents, models and designs. The intellectual property of BFT S.p.A. is protected by copyright law. BFT S.p.A. also protects its know-how by taking measures to protect the technical and commercial information inherent in its company and products. All the products in this catalogue are ORIGINAL BFT MODELS and only BFT S.p.A. is authorised to produce them and market them anywhere in the world. All the commercial names in this catalogue are owned by BFT S.p.A., and only BFT S.p.A. is authorised to use them in relation to the corresponding merchandise category. **FALSIFIERS WILL BE PROCEEDED AGAINST IN ACCORDANCE WITH BOTH CIVIL AND CRIMINAL LAW. THESE CONDITIONS NOT ONLY GUARANTEE THE INTELLECTUAL PROPERTY RIGHTS OF BFT, BUT ALSO PROTECT CUSTOMERS BY GUARANTEEING THAT THE PRODUCTS THEY ARE PURCHASING ARE ORIGINAL BFT PRODUCTS RESULTING FROM STUDIES AND DESIGNS WITHIN THE BFT COMPANY.**