



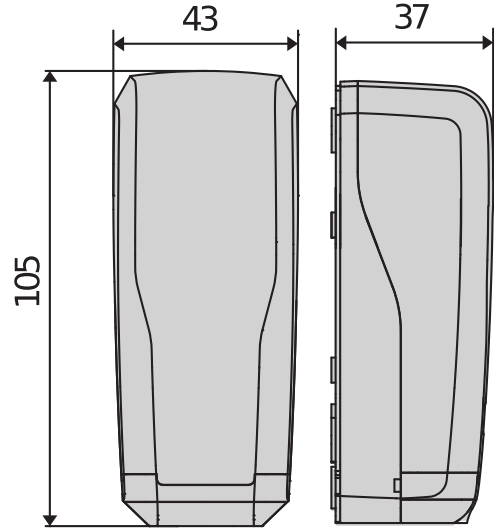
Be ahead



# DESME



## Photocells for automatic gates and safety devices



Design, innovation and technology. These are the messages conveyed by the new range of photocells, which perfectly combine elegance, practicality, safety, ergonomics and functionality. 30 metre nominal flow.



## Photocells for automatic gates and safety devices

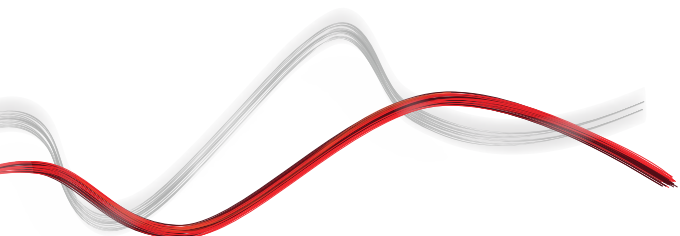
### DESME

Code	Ci	Name	Description
P111526	2600547	DESME A15	Pair of self-aligning photocells. Range 30 m. Power supply 24 V ac/dc. Design, innovation and technology. These are the messages conveyed by the new range of photocells, that perfectly combine style, functionality, practicality, safety, ergonomics and functionality. The possibility of orienting the infrared beam in the DESME A.15 O model allows quick and easy installation of the photocells even on walls or columns that are not aligned with each other, thereby saving time and ensuring a neat and perfect installation.

	DESME A15
Voltage	24 V
Horiz. adjustment	no °
Vert. adjustment	no °
Range	30 m
Protection rating	IP55

### RECOMMENDED ACCESSORIES

<p><b>Cp</b> P903028 - <b>Ci</b> 2600992 <b>PHP A</b></p> <p>Pair of aluminium posts for THEA, DESME and COMPACTA series photocells Height 522 mm</p>	<p><b>Cp</b> P903029 - <b>Ci</b> 2601357 <b>PHP2 A</b></p> <p>Pair of double aluminium posts for THEA, DESME and COMPACTA series photocells. Height 1038 mm</p>
<p><b>Cp</b> P903030 - <b>Ci</b> 2611473 <b>PHP4 A</b></p> <p>Pair of aluminum posts of different heights, for Q,bo series selectors and THEA, DESME and COMPACTA series photocells. Column for selector: height 1038 mm, column for photocells: height 552 mm</p>	<p><b>Cp</b> P903022 - <b>Ci</b> 2611470 <b>PHP BI</b></p> <p>Dual-face adapter for THEA/DESME photocells</p>
<p><b>Cp</b> P903023 - <b>Ci</b> 2604488 <b>PHP BA1</b></p> <p>Support for mounting THEA/DESME photocells on Giotto, Moovi and Michelangelo enclosures</p>	<p><b>Cp</b> P903032 - <b>Ci</b> 2611474 <b>ADA CC A</b></p> <p>Pair of adapters for the installation of THEA, DESME and COMPACTA photocells on CC posts</p>
<p><b>Cp</b> P903024 - <b>Ci</b> 2600847 <b>ACV20</b></p> <p>Vandal-proof protection for DESME photocells</p>	<p><b>Cp</b> P903020 - <b>Ci</b> 2611468 <b>APL</b></p> <p>Pair of foundation plates for PHP posts</p>
<p><b>Cp</b> P903033 - <b>Ci</b> 2611475 <b>ADA PHP A</b></p> <p>Pair of adapters for the installation of THEA, DESME and COMPACTA photocells on PHP posts</p>	



Photocells for automatic gates and safety devices

# EasyAXS

EASY CONNECT. EASY ACCESS.



The new connectivity solution which boosts the potential of BFT products and services to make access automations smarter and easier to use for both installers and end users.

1



## EASY TO CONNECT



**PLUG&PLAY**  
CONNECTIVITY MODULE  
FOR QUICKLY CONNECTING  
BFT SOLUTIONS



2

## EASY TO SET UP



CONFIGURATION  
AND  
MANAGEMENT OF  
THE MOTOR WITH  
THE **EasyAXS app**

3

## EASY TO CONTROL



**TaHoma app**  
TO PROVIDE CUSTOMERS  
WITH A SMART SOLUTION  
FOR ACCESSING THEIR  
HOMES



Photocells for automatic gates and safety devices

**EASY TO CONNECT**

WIFI MODULE



→ 10/15 metres

WIFI MODULE + ANTENNA



→ 20/25 metres

MOBILE MODULE + ANTENNA + SIM



→ ∞



**PLUG&PLAY  
INSTALLATION**



**ALWAYS  
CONNECTED**



**EVEN MORE  
CONNECTIVITY**



**EASY TO SET UP  
FOR INSTALLERS**



**EASY TO CONTROL  
FOR CUSTOMERS**





Photocells for automatic gates and safety devices



# U-LINK 2.0

**AN UPDATED VERSION OF U-LINK TO GIVE YOU EVEN MORE FUNCTIONALITY**



## Scalable

You can add as many devices as you want



## Intuitive

Easy to install and to use



## Functional

Settings can be controlled and firmware updated remotely using dedicated applications



## Practical

Works with or without an internet connection



## Flexible

It allows you to create groups of interconnected products

**U-Link**, the exclusive **BFT** technology platform has evolved to offer improved interaction with the latest generation of technological ecosystems. Its ability to interface with all home access automation access devices has been expanded, meaning it is now a very useful tool for installers. It is also a faster communication protocol with increased security for communicating information.

It allows you to save even more time, checking everything very easily and giving you even more peace of mind.

Photocells for automatic gates and safety devices

# **-SECURITY**

## A NEW AND EVEN MORE SECURE RADIO PROTOCOL



→ **Secure**  
By transmitting data protected by a cryptographic key

**U-Security** is the new technology from **BFT** which incorporates encrypted rolling code thanks to the encryption key which masks the remote control code, meaning that it is impossible to clone a BFT remote control using another brand's model.

The functions of the **Er Ready** system are incorporated and a new procedure is also available for programming remote controls by scanning a QR CODE and using a special app. All products featuring this technology are **REPLAY**, so they can transmit the code to another BFT remote control using a combination of keys.



→ **Easy**  
Pairing a remote control with a receiver can be done easily by scanning the QR code and using the dedicated app



→ **Universal**  
The radio protocol is also compatible with the previous generation of receivers



INFORMATION REGARDING THE PROTECTION OF THE INDUSTRIAL AND INTELLECTUAL PROPERTY RIGHTS OF BFT. BFT S.p.A. protects its industrial property by depositing trademarks, patents, models and designs. The intellectual property of BFT S.p.A. is protected by copyright law. BFT S.p.A. also protects its know-how by taking measures to protect the technical and commercial information inherent in its company and products. All the products in this catalogue are ORIGINAL BFT MODELS and only BFT S.p.A. is authorised to produce them and market them anywhere in the world. All the commercial names in this catalogue are owned by BFT S.p.A., and only BFT S.p.A. is authorised to use them in relation to the corresponding merchandise category. **FALSIFIERS WILL BE PROCEEDED AGAINST IN ACCORDANCE WITH BOTH CIVIL AND CRIMINAL LAW. THESE CONDITIONS NOT ONLY GUARANTEE THE INTELLECTUAL PROPERTY RIGHTS OF BFT, BUT ALSO PROTECT CUSTOMERS BY GUARANTEEING THAT THE PRODUCTS THEY ARE PURCHASING ARE ORIGINAL BFT PRODUCTS RESULTING FROM STUDIES AND DESIGNS WITHIN THE BFT COMPANY.**