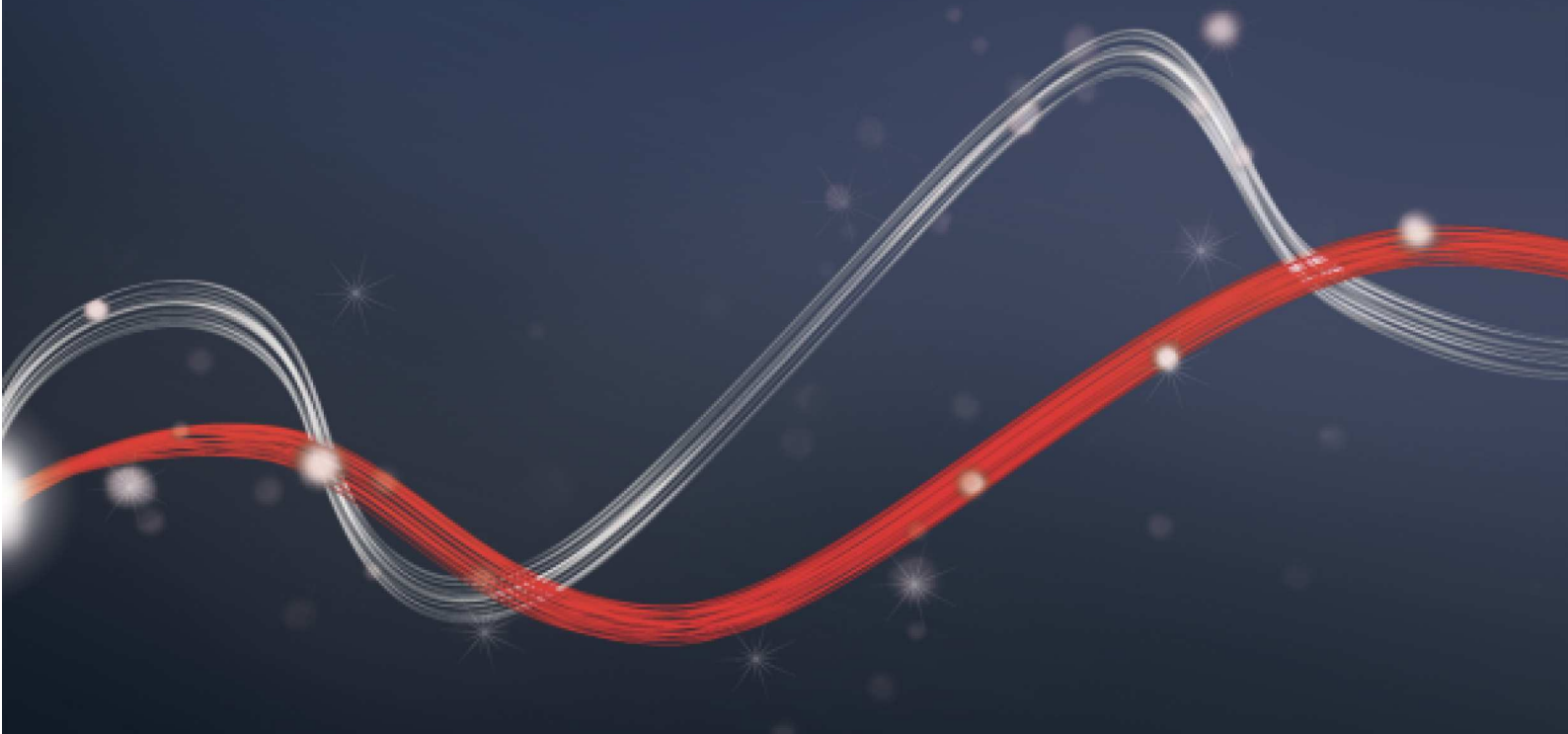




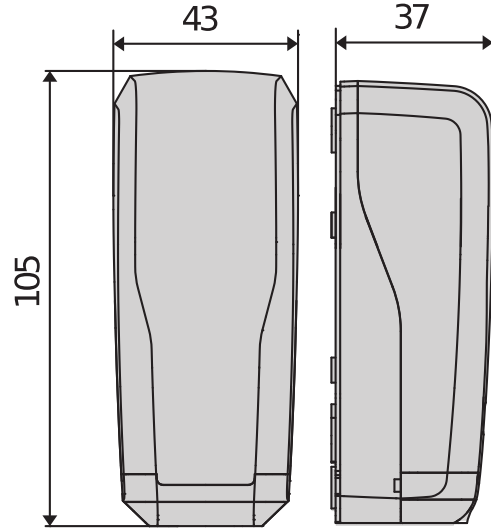
Be ahead



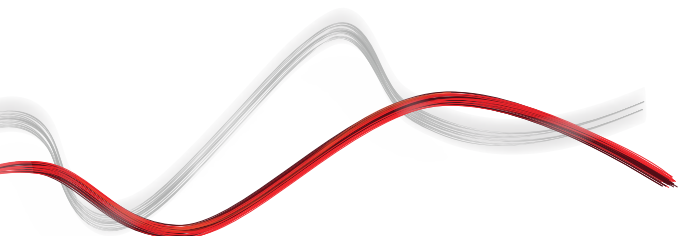
# DESME



## Photocells for automatic gates and safety devices



Design, innovation and technology. These are the messages conveyed by the new range of photocells, which perfectly combine elegance, practicality, safety, ergonomics and functionality. 30 metre nominal flow.






## Photocells for automatic gates and safety devices

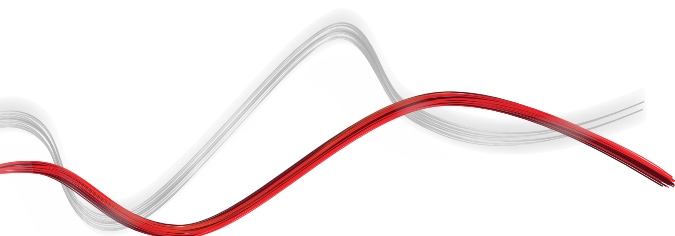
### DESME

Code	Ci	Name	Description
P111526	2600547	DESME A15	Pair of self-aligning photocells. Range 30 m. Power supply 24 V ac/dc. Design, innovation and technology. These are the messages conveyed by the new range of photocells, that perfectly combine style, functionality, practicality, safety, ergonomics and functionality. The possibility of orienting the infrared beam in the DESME A.15 O model allows quick and easy installation of the photocells even on walls or columns that are not aligned with each other, thereby saving time and ensuring a neat and perfect installation.

	DESME A15
Voltage	24 V
Horiz. adjustment	no °
Vert. adjustment	no °
Range	30 m
Protection rating	IP55

### RECOMMENDED ACCESSORIES

	<b>Cp</b> P903022 - <b>Ci</b> 2611470 <b>PHP BI</b>				
	Dual-face adapter for THEA/DESME photocells				



Photocells for automatic gates and safety devices

# EasyAXS

EASY CONNECT. EASY ACCESS.



The new connectivity solution which boosts the potential of BFT products and services to make access automations smarter and easier to use for both installers and end users.



Photocells for automatic gates and safety devices

**EASY TO CONNECT**

**WIFI MODULE**



→ 10/15 metres

**WIFI MODULE + ANTENNA**



→ 20/25 metres

**MOBILE MODULE + ANTENNA + SIM**



→ ∞



**PLUG&PLAY  
INSTALLATION**



**ALWAYS  
CONNECTED**



**EVEN MORE  
CONNECTIVITY**



**EASY TO SET UP  
FOR INSTALLERS**



**EASY TO CONTROL  
FOR CUSTOMERS**



Photocells for automatic gates and safety devices



# U-LINK 2.0

**AN UPDATED VERSION OF U-LINK TO GIVE YOU EVEN MORE FUNCTIONALITY**



**Scalable**

You can add as many devices as you want



**Intuitive**

Easy to install and to use



**Functional**

Settings can be controlled and firmware updated remotely using dedicated applications



**Practical**

Works with or without an internet connection



**Flexible**

It allows you to create groups of interconnected products



**U-Link**, the exclusive **BFT** technology platform has evolved to offer improved interaction with the latest generation of technological ecosystems. Its ability to interface with all home access automation access devices has been expanded, meaning it is now a very useful tool for installers. It is also a faster communication protocol with increased security for communicating information.

It allows you to save even more time, checking everything very easily and giving you even more peace of mind.

Photocells for automatic gates and safety devices

# U-SECURITY

## A NEW AND EVEN MORE SECURE RADIO PROTOCOL



### Secure

By transmitting data protected by a cryptographic key

**U-Security** is the new technology from **BFT** which incorporates encrypted rolling code thanks to the encryption key which masks the remote control code, meaning that it is impossible to clone a BFT remote control using another brand's model.

The functions of the **Er Ready** system are incorporated and a new procedure is also available for programming remote controls by scanning a QR CODE and using a special app. All products featuring this technology are **REPLAY**, so they can transmit the code to another BFT remote control using a combination of keys.



### Easy

Pairing a remote control with a receiver can be done easily by scanning the QR code and using the dedicated app



### Universal

The radio protocol is also compatible with the previous generation of receivers



INFORMATION REGARDING THE PROTECTION OF THE INDUSTRIAL AND INTELLECTUAL PROPERTY RIGHTS OF BFT. BFT S.p.A. protects its industrial property by depositing trademarks, patents, models and designs. The intellectual property of BFT S.p.A. is protected by copyright law. BFT S.p.A. also protects its know-how by taking measures to protect the technical and commercial information inherent in its company and products. All the products in this catalogue are ORIGINAL BFT MODELS and only BFT S.p.A. is authorised to produce them and market them anywhere in the world. All the commercial names in this catalogue are owned by BFT S.p.A., and only BFT S.p.A. is authorised to use them in relation to the corresponding merchandise category. **FALSIFIERS WILL BE PROCEEDED AGAINST IN ACCORDANCE WITH BOTH CIVIL AND CRIMINAL LAW. THESE CONDITIONS NOT ONLY GUARANTEE THE INTELLECTUAL PROPERTY RIGHTS OF BFT, BUT ALSO PROTECT CUSTOMERS BY GUARANTEEING THAT THE PRODUCTS THEY ARE PURCHASING ARE ORIGINAL BFT PRODUCTS RESULTING FROM STUDIES AND DESIGNS WITHIN THE BFT COMPANY.**