



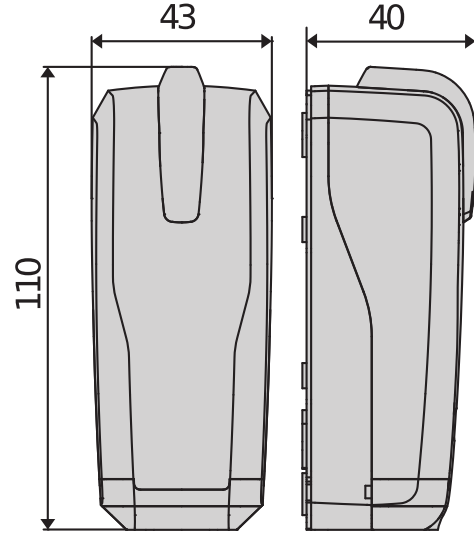
Be ahead



THEA



Photocells for automatic gates and safety devices



Pair of orientable photocells with integrated flashing beacon
30 metre nominal flow.



Photocells for automatic gates and safety devices

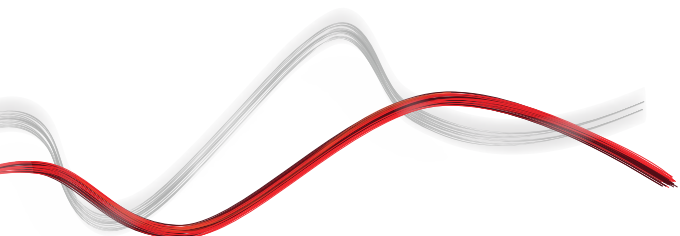
THEA

Code	Ci	Name	Description
P111714	2600815	THEA A15 O.PF UNI	Pair of self-aligning photocells. Range 30 m. Power supply 24 V ac/dc. Pair of universal photocells suitable for non-BFT automation systems, adjustable with integrated flashing light. Synchronised infrared signal to avoid any possibility of accidental dazzling. For external application. Beam can be oriented 40° horizontally and 10° vertically. Range 30 m. Power supply 24 V ac/dc. THEA is the only device in the world that integrates an adjustable photocell with synchronised signal and a high efficiency flashing LED light. Everything featuring the design language of Bft, with shapes that convey modernity, innovation and technology in a product that perfectly combines elegance and functionality, convenience, safety, ergonomics and simplicity. Thanks to THEA, installation times and costs are drastically reduced! When installing the photocell also the flashing light is automatically installed, without dedicated cables, without additional pipes and without specific connections. Furthermore, synchronisation of the signal allows the flashing light to signal any malfunction or misalignments of the photocell through several flashes. THEA can be connected to all new-generation Bft control units, with verified management of safeties. In this way the power supply of the photocell and the flashing light is one and does not require dedicated cables, while ensuring the proper functioning of the two products.
P111528	2601272	THEA A15 O.PF	Pair of adjustable photocells with integrated flashing light. Possibility of directing the beam 40 ° horizontally and 10 ° vertically. IR signal synchronised to prevent any risk of blinding. Range 30 m. Power supply 24 V ac/dc. For external application. THEA is the only device in the world that integrates an adjustable photocell with synchronised signal and a high efficiency flashing LED light. Everything featuring the design language of Bft, with shapes that convey modernity, innovation and technology in a product that perfectly combines elegance and functionality, convenience, safety, ergonomics and simplicity. Thanks to THEA, installation times and costs are drastically reduced! When installing the photocell also the flashing light is automatically installed, without dedicated cables, without additional pipes and without specific connections. Furthermore, synchronisation of the signal allows the flashing light to signal any malfunction or misalignments of the photocell through several flashes. THEA can be connected to all new-generation Bft control units, with verified management of safeties. In this way the power supply of the photocell and the flashing light is one and does not require dedicated cables, while ensuring the proper functioning of the two products.

	THEA A15 O.PF UNI	THEA A15 O.PF
Voltage	24 V	24 V
Horiz. adjustment	40 °	40 °
Vert. adjustment	10 °	10 °
Range	30 m	30 m
Protection rating	IP55	IP55

RECOMMENDED ACCESSORIES

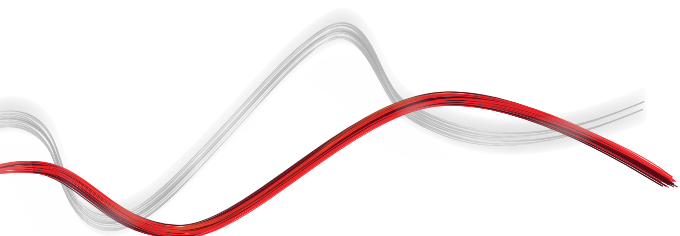
	Cp P903022 - Ci 2611470 PHP BI		Cp P903028 - Ci 2600992 PHP A
	Dual-face adapter for THEA/DESME photocells		Pair of aluminium posts for THEA, DESME and COMPACTA series photocells Height 522 mm



Photocells for automatic gates and safety devices

RECOMMENDED ACCESSORIES

	<p>Cp P903029 - Ci 2601357 PHP2 A</p> <p>Pair of double aluminium posts for THEA, DESME and COMPACTA series photocells. Height 1038 mm</p>		<p>Cp P903030 - Ci 2611473 PHP4 A</p> <p>Pair of aluminum posts of different heights, for Q.bo series selectors and THEA, DESME and COMPACTA series photocells. Column for selector: height 1038 mm, column for photocells: height 552 mm</p>
	<p>Cp P903032 - Ci 2611474 ADA CC A</p> <p>Pair of adapters for the installation of THEA, DESME and COMPACTA photocells on CC posts</p>		<p>Cp P903023 - Ci 2604488 PHP BA1</p> <p>Support for mounting THEA/DESME photocells on Giotto, Moovi and Michelangelo enclosures</p>
	<p>Cp P903020 - Ci 2611468 APL</p> <p>Pair of foundation plates for PHP posts</p>		<p>Cp P903033 - Ci 2611475 ADA PHP A</p> <p>Pair of adapters for the installation of THEA, DESME and COMPACTA photocells on PHP posts</p>



Photocells for automatic gates and safety devices

EasyAXS

EASY CONNECT. EASY ACCESS.



The new connectivity solution which boosts the potential of BFT products and services to make access automations smarter and easier to use for both installers and end users.



Photocells for automatic gates and safety devices

EASY TO CONNECT

WIFI MODULE



→ 10/15 metres

WIFI MODULE + ANTENNA



→ 20/25 metres

MOBILE MODULE + ANTENNA + SIM



→ ∞



**PLUG&PLAY
INSTALLATION**



**ALWAYS
CONNECTED**



**EVEN MORE
CONNECTIVITY**



**EASY TO SET UP
FOR INSTALLERS**



**EASY TO CONTROL
FOR CUSTOMERS**



Photocells for automatic gates and safety devices



U-LINK 2.0

AN UPDATED VERSION OF
U-LINK TO GIVE YOU EVEN
MORE FUNCTIONALITY



→ **Scalable**

You can add as many devices as you want



→ **Intuitive**

Easy to install and to use



→ **Functional**

Settings can be controlled and firmware updated remotely using dedicated applications



→ **Practical**

Works with or without an internet connection



→ **Flexible**

It allows you to create groups of interconnected products

U-Link, the exclusive **BFT** technology platform has evolved to offer improved interaction with the latest generation of technological ecosystems. Its ability to interface with all home access automation access devices has been expanded, meaning it is now a very useful tool for installers. It is also a faster communication protocol with increased security for communicating information.

It allows you to save even more time, checking everything very easily and giving you even more peace of mind.

Photocells for automatic gates and safety devices

U-SECURITY

A NEW AND EVEN MORE SECURE RADIO PROTOCOL



Secure

By transmitting data protected by a cryptographic key

U-Security is the new technology from **BFT** which incorporates encrypted rolling code thanks to the encryption key which masks the remote control code, meaning that it is impossible to clone a BFT remote control using another brand's model.

The functions of the **Er Ready** system are incorporated and a new procedure is also available for programming remote controls by scanning a QR CODE and using a special app. All products featuring this technology are **REPLAY**, so they can transmit the code to another BFT remote control using a combination of keys.



Easy

Pairing a remote control with a receiver can be done easily by scanning the QR code and using the dedicated app



Universal

The radio protocol is also compatible with the previous generation of receivers



INFORMATION REGARDING THE PROTECTION OF THE INDUSTRIAL AND INTELLECTUAL PROPERTY RIGHTS OF BFT. BFT S.p.A. protects its industrial property by depositing trademarks, patents, models and designs. The intellectual property of BFT S.p.A. is protected by copyright law. BFT S.p.A. also protects its know-how by taking measures to protect the technical and commercial information inherent in its company and products. All the products in this catalogue are ORIGINAL BFT MODELS and only BFT S.p.A. is authorised to produce them and market them anywhere in the world. All the commercial names in this catalogue are owned by BFT S.p.A., and only BFT S.p.A. is authorised to use them in relation to the corresponding merchandise category. **FALSIFIERS WILL BE PROCEEDED AGAINST IN ACCORDANCE WITH BOTH CIVIL AND CRIMINAL LAW. THESE CONDITIONS NOT ONLY GUARANTEE THE INTELLECTUAL PROPERTY RIGHTS OF BFT, BUT ALSO PROTECT CUSTOMERS BY GUARANTEEING THAT THE PRODUCTS THEY ARE PURCHASING ARE ORIGINAL BFT PRODUCTS RESULTING FROM STUDIES AND DESIGNS WITHIN THE BFT COMPANY.**