



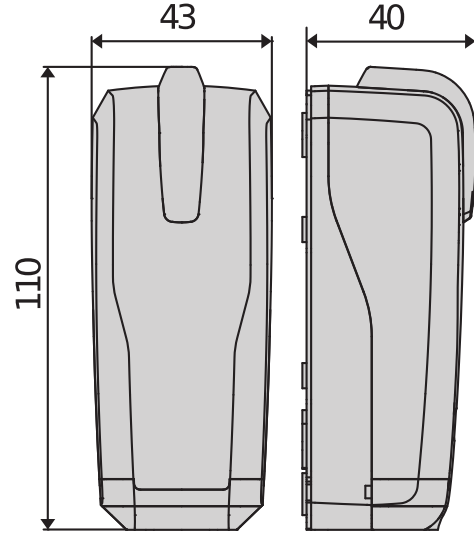
Be ahead



# THEA



## Photocells for automatic gates and safety devices



Pair of orientable photocells with integrated flashing beacon  
30 metre nominal flow.



## Photocells for automatic gates and safety devices

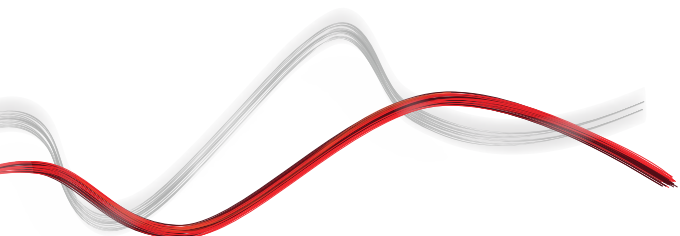
### THEA

Code	Ci	Name	Description
P111714	2600815	THEA A15 O.PF UNI	<p>Pair of self-aligning photocells. Range 30 m. Power supply 24 V ac/dc. Pair of universal photocells suitable for non-BFT automation systems, adjustable with integrated flashing light. Synchronised infrared signal to avoid any possibility of accidental dazzling. For external application. Beam can be oriented 40° horizontally and 10° vertically. Range 30 m. Power supply 24 V ac/dc. THEA is the only device in the world that integrates an adjustable photocell with synchronised signal and a high efficiency flashing LED light. Everything featuring the design language of Bft, with shapes that convey modernity, innovation and technology in a product that perfectly combines elegance and functionality, convenience, safety, ergonomics and simplicity. Thanks to THEA, installation times and costs are drastically reduced! When installing the photocell also the flashing light is automatically installed, without dedicated cables, without additional pipes and without specific connections. Furthermore, synchronisation of the signal allows the flashing light to signal any malfunction or misalignments of the photocell through several flashes. THEA can be connected to all new-generation Bft control units, with verified management of safeties. In this way the power supply of the photocell and the flashing light is one and does not require dedicated cables, while ensuring the proper functioning of the two products.</p>

	THEA A15 O.PF UNI
Voltage	24 V
Horiz. adjustment	40 °
Vert. adjustment	10 °
Range	30 m
Protection rating	IP55

### RECOMMENDED ACCESSORIES

	<b>Cp</b> P903022 - <b>Ci</b> 2611470 <b>PHP BI</b>				
Dual-face adapter for THEA/DESME photocells					



Photocells for automatic gates and safety devices

# EasyAXS

EASY CONNECT. EASY ACCESS.



The new connectivity solution which boosts the potential of BFT products and services to make access automations smarter and easier to use for both installers and end users.



Photocells for automatic gates and safety devices

**EASY TO CONNECT**

WIFI MODULE



→ 10/15 metres

WIFI MODULE + ANTENNA



→ 20/25 metres

MOBILE MODULE + ANTENNA + SIM



→ ∞



**PLUG&PLAY  
INSTALLATION**



**ALWAYS  
CONNECTED**



**EVEN MORE  
CONNECTIVITY**



**EASY TO SET UP  
FOR INSTALLERS**



**EASY TO CONTROL  
FOR CUSTOMERS**



Photocells for automatic gates and safety devices



# U-LINK 2.0

AN UPDATED VERSION OF  
**U-LINK** TO GIVE YOU EVEN  
MORE FUNCTIONALITY



## Scalable

You can add as many devices as you want



## Intuitive

Easy to install and to use



## Functional

Settings can be controlled and firmware updated remotely using dedicated applications



## Practical

Works with or without an internet connection



## Flexible

It allows you to create groups of interconnected products

**U-Link**, the exclusive **BFT** technology platform has evolved to offer improved interaction with the latest generation of technological ecosystems. Its ability to interface with all home access automation access devices has been expanded, meaning it is now a very useful tool for installers. It is also a faster communication protocol with increased security for communicating information.

It allows you to save even more time, checking everything very easily and giving you even more peace of mind.

Photocells for automatic gates and safety devices

# U-SECURITY

## A NEW AND EVEN MORE SECURE RADIO PROTOCOL



### Secure

By transmitting data protected by a cryptographic key

**U-Security** is the new technology from **BFT** which incorporates encrypted rolling code thanks to the encryption key which masks the remote control code, meaning that it is impossible to clone a BFT remote control using another brand's model.

The functions of the **Er Ready** system are incorporated and a new procedure is also available for programming remote controls by scanning a QR CODE and using a special app. All products featuring this technology are **REPLAY**, so they can transmit the code to another BFT remote control using a combination of keys.



### Easy

Pairing a remote control with a receiver can be done easily by scanning the QR code and using the dedicated app



### Universal

The radio protocol is also compatible with the previous generation of receivers



INFORMATION REGARDING THE PROTECTION OF THE INDUSTRIAL AND INTELLECTUAL PROPERTY RIGHTS OF BFT. BFT S.p.A. protects its industrial property by depositing trademarks, patents, models and designs. The intellectual property of BFT S.p.A. is protected by copyright law. BFT S.p.A. also protects its know-how by taking measures to protect the technical and commercial information inherent in its company and products. All the products in this catalogue are ORIGINAL BFT MODELS and only BFT S.p.A. is authorised to produce them and market them anywhere in the world. All the commercial names in this catalogue are owned by BFT S.p.A., and only BFT S.p.A. is authorised to use them in relation to the corresponding merchandise category. **FALSIFIERS WILL BE PROCEEDED AGAINST IN ACCORDANCE WITH BOTH CIVIL AND CRIMINAL LAW. THESE CONDITIONS NOT ONLY GUARANTEE THE INTELLECTUAL PROPERTY RIGHTS OF BFT, BUT ALSO PROTECT CUSTOMERS BY GUARANTEEING THAT THE PRODUCTS THEY ARE PURCHASING ARE ORIGINAL BFT PRODUCTS RESULTING FROM STUDIES AND DESIGNS WITHIN THE BFT COMPANY.**