



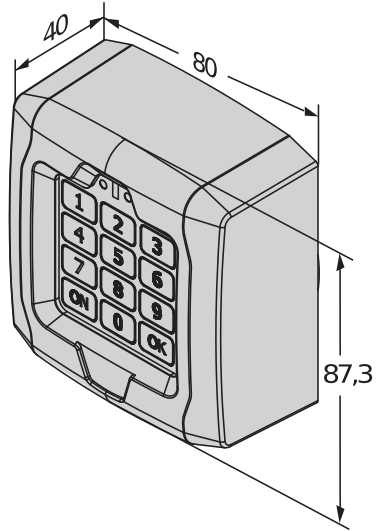
Be ahead



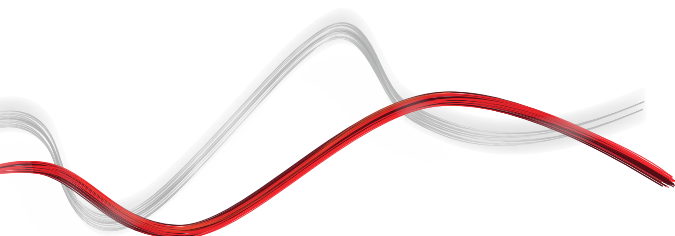
Q.BO



Switches for automatic gates, entrances and electric appliances



New range of key selectors
 Also available in vandalproof version with metal shell
 The Q.bo range also includes the Q.BO TOUCH wireless keypad



Switches for automatic gates, entrances and electric appliances

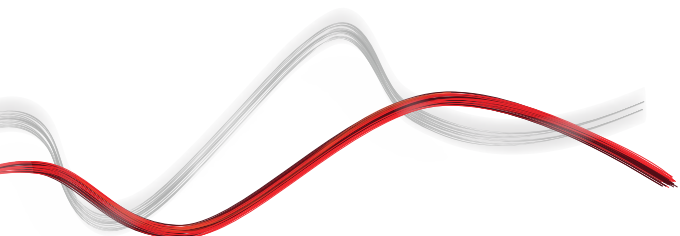
Q.BO

Code	Ci	Name	Description
P121024	2600834	Q.BO TOUCH	Wireless digital touch button panel 433 MHz rolling code. Combines with control units fitted with built-in Bft receivers or external Bft receivers.

Q.BO TOUCH	
Voltage	12/24 V
Number of batteries	2
Battery type	CR123A
Frequency	433 MHz
Protection rating	IP55

RECOMMENDED ACCESSORIES

 <p>Cp P111467 - Ci 2611262 B EBA WIE INPUT/OUTPUT</p> <p>Expansion card for connection of WIEGAND accessories, compatible with U-Link control units</p>	 <p>Cp D113674 00001 - Ci 2600578 CLONIX 2E</p> <p>External two-channel 433 MHz rolling code receiver. 128 position memory. 24 V power supply.</p>
 <p>Cp D113718 00002 - Ci 2600581 CLONIX 4 RTE</p> <p>External 4-channel 433 MHz rolling code receiver. 230 V power supply.</p>	



Switches for automatic gates, entrances and electric appliances

EasyAXS

EASY CONNECT. EASY ACCESS.



The new connectivity solution which boosts the potential of BFT products and services to make access automations smarter and easier to use for both installers and end users.



Switches for automatic gates, entrances and electric appliances

EASY TO CONNECT

WIFI MODULE



→ 10/15 metres

WIFI MODULE + ANTENNA



→ 20/25 metres

MOBILE MODULE + ANTENNA + SIM



→ ∞



**PLUG&PLAY
INSTALLATION**



**ALWAYS
CONNECTED**



**EVEN MORE
CONNECTIVITY**



**EASY TO SET UP
FOR INSTALLERS**



**EASY TO CONTROL
FOR CUSTOMERS**



Switches for automatic gates, entrances and electric appliances



U-LINK 2.0

AN UPDATED VERSION OF
U-LINK TO GIVE YOU EVEN
MORE FUNCTIONALITY



Scalable

You can add as many devices as you want



Intuitive

Easy to install and to use



Functional

Settings can be controlled and firmware updated remotely using dedicated applications



Practical

Works with or without an internet connection



Flexible

It allows you to create groups of interconnected products

U-Link, the exclusive **BFT** technology platform has evolved to offer improved interaction with the latest generation of technological ecosystems. Its ability to interface with all home access automation access devices has been expanded, meaning it is now a very useful tool for installers. It is also a faster communication protocol with increased security for communicating information.

It allows you to save even more time, checking everything very easily and giving you even more peace of mind.

Switches for automatic gates, entrances and electric appliances

U-SECURITY

A NEW AND EVEN MORE SECURE RADIO PROTOCOL



Secure

By transmitting data protected by a cryptographic key

U-Security is the new technology from **BFT** which incorporates encrypted rolling code thanks to the encryption key which masks the remote control code, meaning that it is impossible to clone a BFT remote control using another brand's model.

The functions of the **Er Ready** system are incorporated and a new procedure is also available for programming remote controls by scanning a QR CODE and using a special app. All products featuring this technology are **REPLAY**, so they can transmit the code to another BFT remote control using a combination of keys.



Easy

Pairing a remote control with a receiver can be done easily by scanning the QR code and using the dedicated app



Universal

The radio protocol is also compatible with the previous generation of receivers



INFORMATION REGARDING THE PROTECTION OF THE INDUSTRIAL AND INTELLECTUAL PROPERTY RIGHTS OF BFT. BFT S.p.A. protects its industrial property by depositing trademarks, patents, models and designs. The intellectual property of BFT S.p.A. is protected by copyright law. BFT S.p.A. also protects its know-how by taking measures to protect the technical and commercial information inherent in its company and products. All the products in this catalogue are ORIGINAL BFT MODELS and only BFT S.p.A. is authorised to produce them and market them anywhere in the world. All the commercial names in this catalogue are owned by BFT S.p.A., and only BFT S.p.A. is authorised to use them in relation to the corresponding merchandise category. **FALSIFIERS WILL BE PROCEEDED AGAINST IN ACCORDANCE WITH BOTH CIVIL AND CRIMINAL LAW. THESE CONDITIONS NOT ONLY GUARANTEE THE INTELLECTUAL PROPERTY RIGHTS OF BFT, BUT ALSO PROTECT CUSTOMERS BY GUARANTEEING THAT THE PRODUCTS THEY ARE PURCHASING ARE ORIGINAL BFT PRODUCTS RESULTING FROM STUDIES AND DESIGNS WITHIN THE BFT COMPANY.**