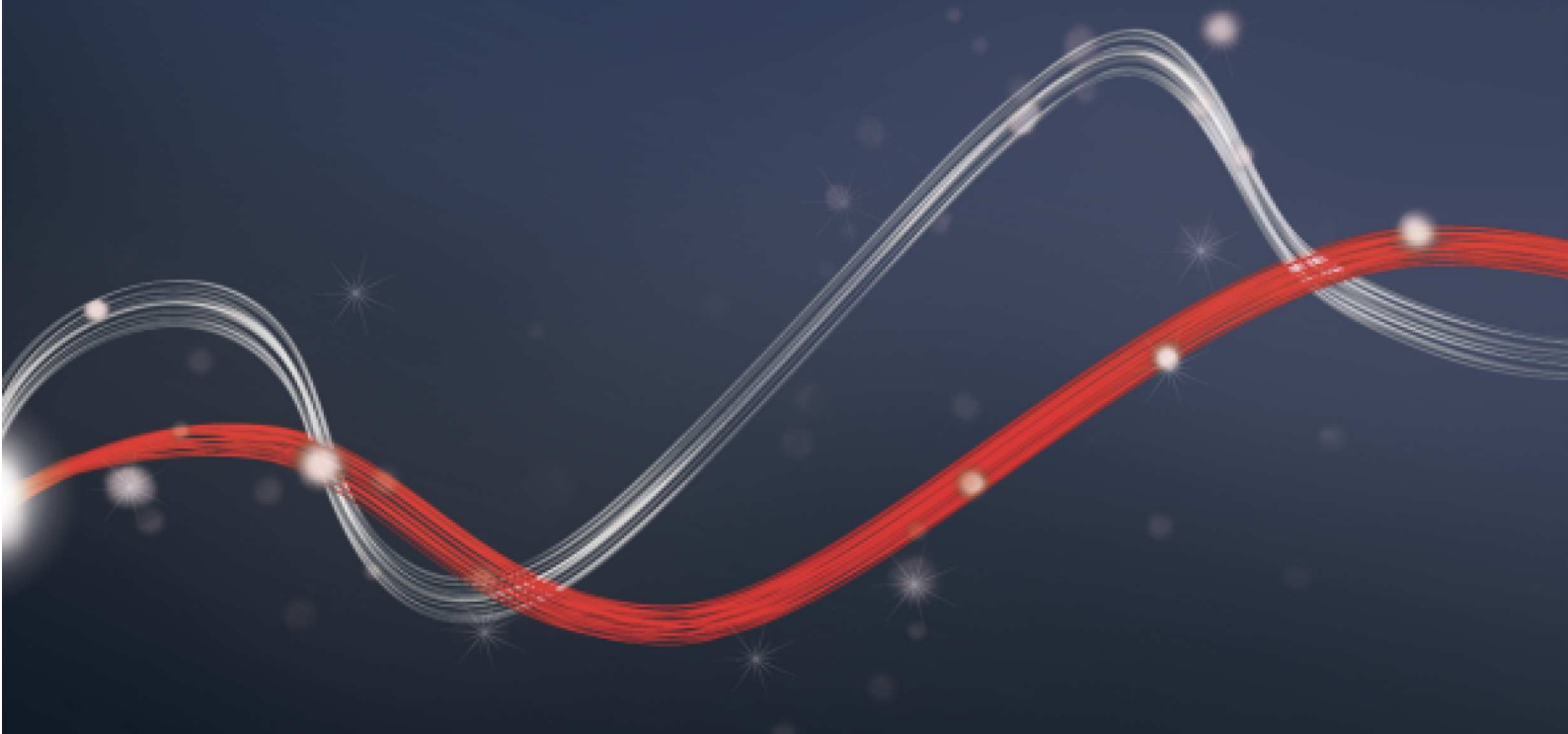




Be ahead



SHEDIR



Control panels

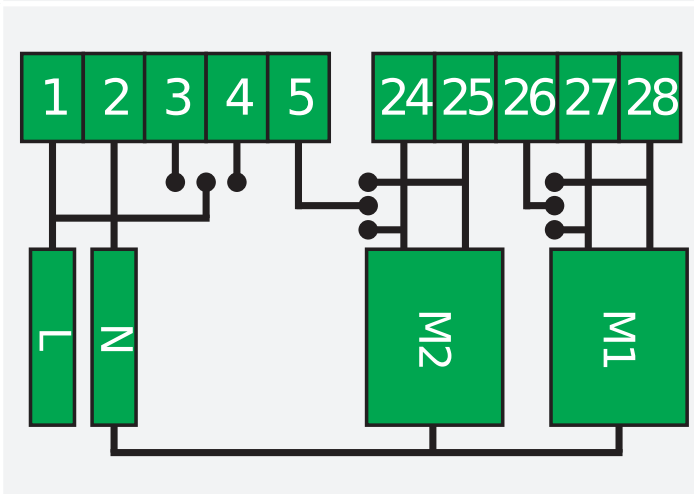


230 V / 1200 W maitinimo šaltinio plokštė, kuri leidžia valdyti iki 2 ritinių užuolaidų variklių arba variklio blokus, valdomus naudojant trijų padėčių perjungiklį.

SHEDIR

Kodas	Ci	Pavadinimas	Apraksts
P111515	2611267	SHEDIR B CBC 02 L01	Vadibas bloks vadu centralizacijai. Diviem motoriem (vai 2 motoru grupam).

P111515 - SHEDIR B CBC 02 L01





INFORMATION REGARDING THE PROTECTION OF THE INDUSTRIAL AND INTELLECTUAL PROPERTY RIGHTS OF BFT. BFT S.p.A. protects its industrial property by depositing trademarks, patents, models and designs. The intellectual property of BFT S.p.A. is protected by copyright law. BFT S.p.A. also protects its know-how by taking measures to protect the technical and commercial information inherent in its company and products. All the products in this catalogue are ORIGINAL BFT MODELS and only BFT S.p.A. is authorised to produce them and market them anywhere in the world. All the commercial names in this catalogue are owned by BFT S.p.A., and only BFT S.p.A. is authorised to use them in relation to the corresponding merchandise category. **FALSIFIERS WILL BE PROCEEDED AGAINST IN ACCORDANCE WITH BOTH CIVIL AND CRIMINAL LAW. THESE CONDITIONS NOT ONLY GUARANTEE THE INTELLECTUAL PROPERTY RIGHTS OF BFT, BUT ALSO PROTECT CUSTOMERS BY GUARANTEEING THAT THE PRODUCTS THEY ARE PURCHASING ARE ORIGINAL BFT PRODUCTS RESULTING FROM STUDIES AND DESIGNS WITHIN THE BFT COMPANY.**