



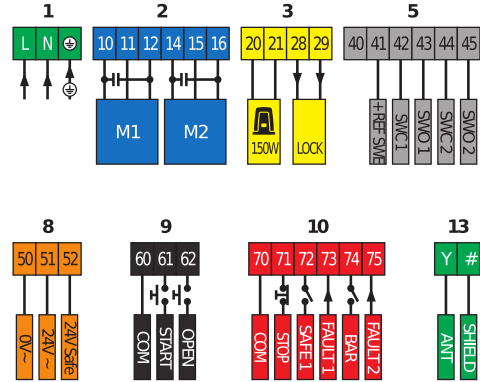
Be ahead



# ALENA



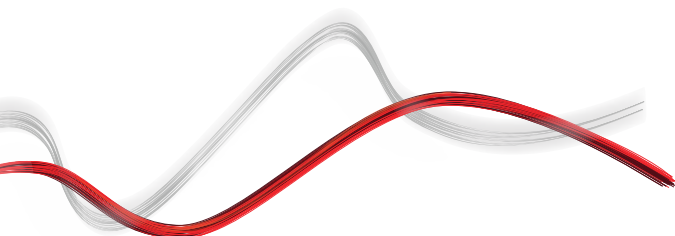
## Control panels



Control panel with dip switches and potentiometers for one or two 230V/400+400W operators used on swing gates and industrial folding doors with management of sensitive edges and security entry verification option. It can control the gate's slowing down both when opening and closing. It can also control the connection with an EBP electric lock or with an ECB (with additional ME card). The radio receiver has rolling code technology incorporated into it. The terminal boards are coloured and can be removed to make it easier to perform the wiring.

## ALENA

Code	Ci	Name	Description
D113811 00003	2607513	ALENA SW2 120V	ALENA SW2 120V control panel
D113811 00004	2607514	ALENA SW2	Control panel with slow-down, dip switches and potentiometers for one or two 230V 400W+400W, operators for swing gates and industrial folding doors

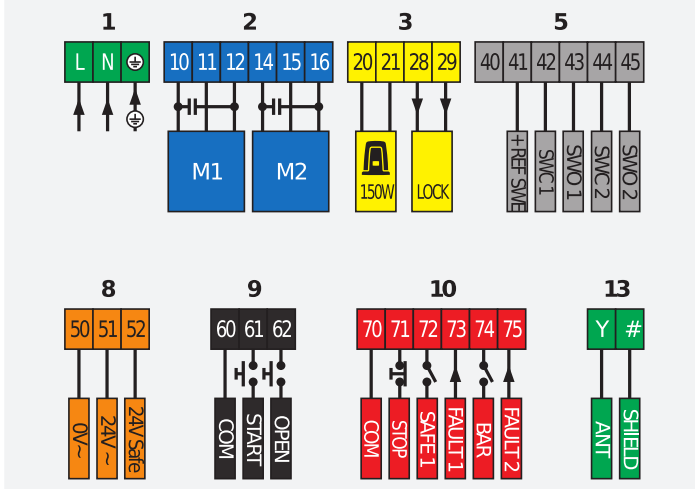


## Control panels

	ALENA SW2 120V	ALENA SW2
<b>BASIC CHARACTERISTICS</b>		
Maximum output	400+400 W	400+400 W
Board power supply	110-120 V	220-230 V
Max. n. transmitters	63	63
Programming	DIP+TRIMMER	DIP+TRIMMER
Power supply accessories	24V - 0,2A	24V - 0,2A
<b>CONFIGURATION OF SAFETY INPUTS</b>		
Light sensor	●	●
Safety edge	●	●
Resistive edge	●	●
Tested photocell	●	●
Tested safety edge	●	●
Stop	●	●
<b>CONFIGURATION OF CONTROL INPUTS</b>		
Start	●	●
Open	●	●
<b>OUTPUTS</b>		
Blinker	230V - 40W	230V - 40W
Configurable AUX 1		
Configurable AUX 2		
Configurable AUX 3		
Solenoid Lock		

## Connecting diagram

D113811 00004 - ALENA SW2





INFORMATION REGARDING THE PROTECTION OF THE INDUSTRIAL AND INTELLECTUAL PROPERTY RIGHTS OF BFT. BFT S.p.A. protects its industrial property by depositing trademarks, patents, models and designs. The intellectual property of BFT S.p.A. is protected by copyright law. BFT S.p.A. also protects its know-how by taking measures to protect the technical and commercial information inherent in its company and products. All the products in this catalogue are ORIGINAL BFT MODELS and only BFT S.p.A. is authorised to produce them and market them anywhere in the world. All the commercial names in this catalogue are owned by BFT S.p.A., and only BFT S.p.A. is authorised to use them in relation to the corresponding merchandise category. **FALSIFIERS WILL BE PROCEEDED AGAINST IN ACCORDANCE WITH BOTH CIVIL AND CRIMINAL LAW. THESE CONDITIONS NOT ONLY GUARANTEE THE INTELLECTUAL PROPERTY RIGHTS OF BFT, BUT ALSO PROTECT CUSTOMERS BY GUARANTEEING THAT THE PRODUCTS THEY ARE PURCHASING ARE ORIGINAL BFT PRODUCTS RESULTING FROM STUDIES AND DESIGNS WITHIN THE BFT COMPANY.**